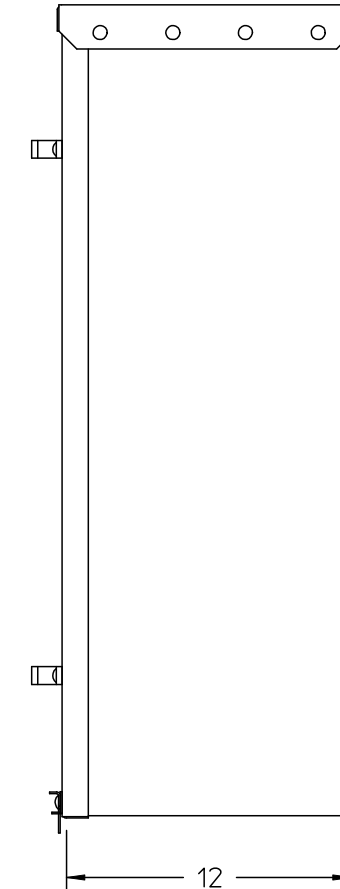
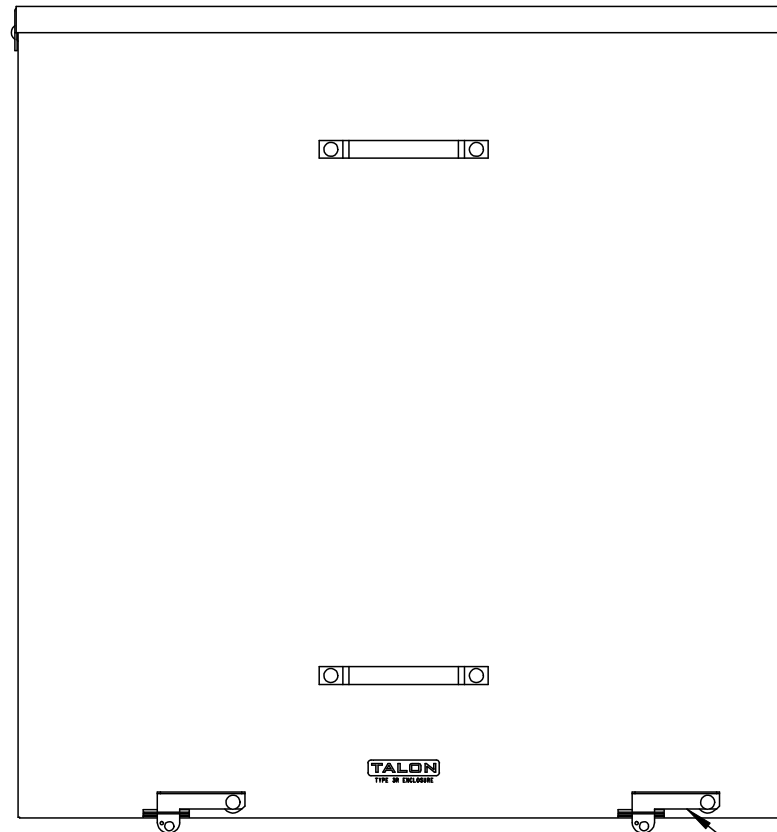
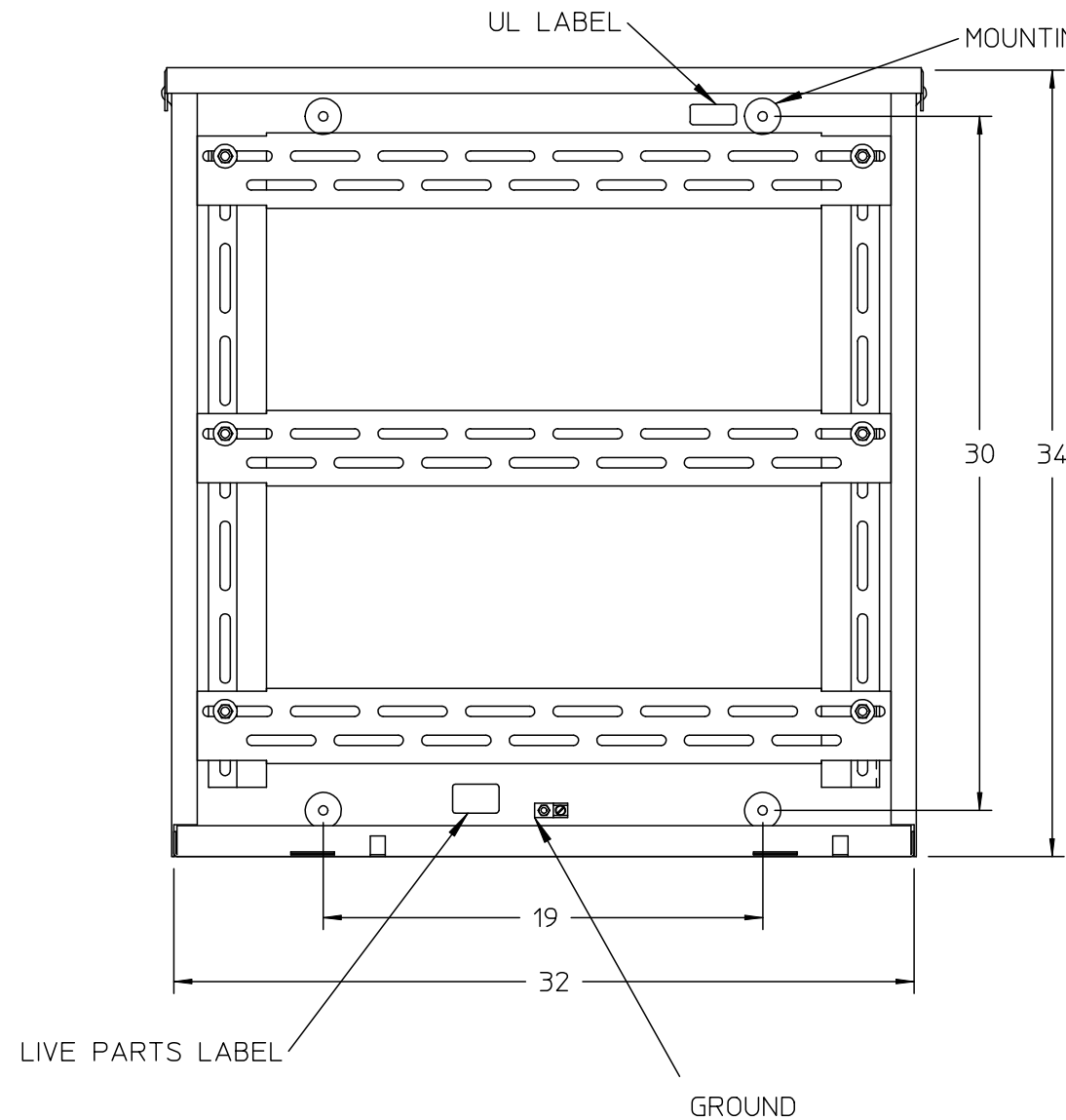


Features and Ratings

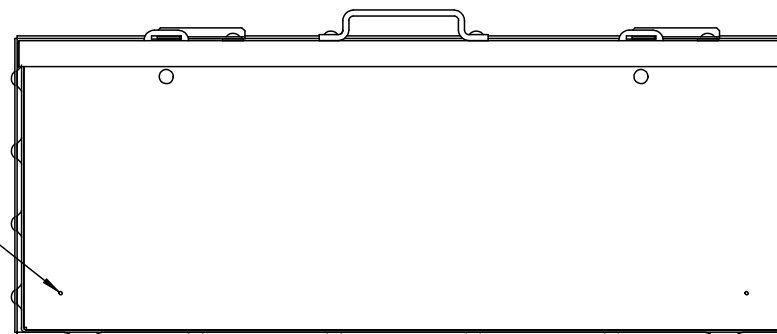
- Outdoor Enclosure (NEMA Type 3R)
- Natural 5052-H32 Aluminum
- For Underground Service

Connectors, Wire Sizes and Torques

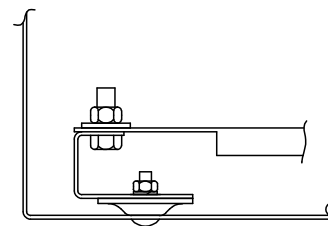
CONNECTOR	WIRE SIZE	TORQUE
GROUND	#14 - 2/0 AWG	50 IN.-LBS.



STAINLESS STEEL LATCH AND LOCKING TAB (2) PLACES



- NOTES:
- 1) ALL HARDWARE IS STAINLESS STEEL.
 - 2) RAILS ARE DESIGNED FOR USE WITH 3/8" HARDWARE.



RAIL MOUNTING DETAIL (ENLARGED)

© 2015 Copyright Siemens Industry, Inc.



Outdoor Current Transformer Enclosure

Description:

CT ENC 123234 SF RAILS