

Catalog Number: LG110C

Features and Ratings

- Outdoor Enclosure (NEMA Type 3R)
- Painted G90 Steel
- For Overhead or Underground Service
- RX Type Hub Opening, Cover Plate Installed

Connectors, Wire Sizes and Torques

CONNECTOR	WIRE SIZE	TORQUE
GROUND	#2 - 14 AWG	50 IN.-LBS.

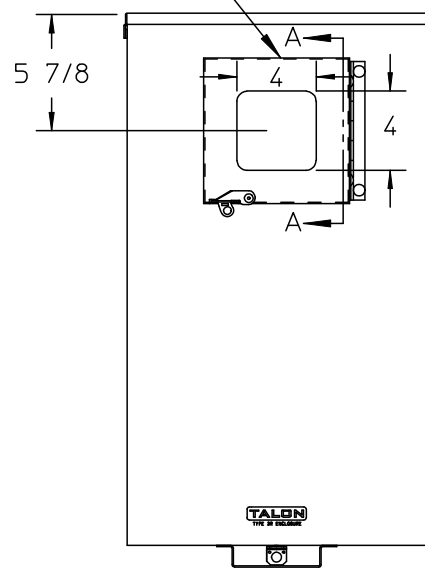
Accessories

CONDUIT HUBS (RX Type)

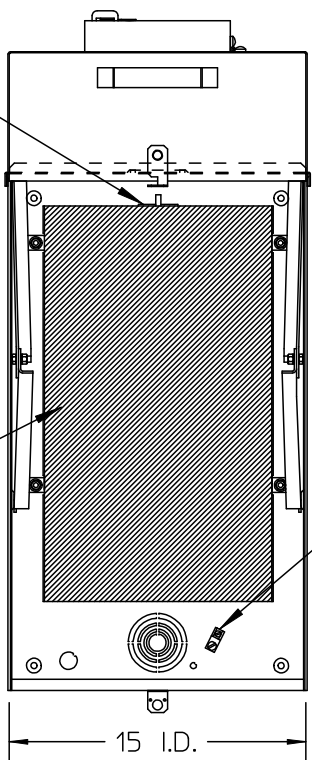
TRADE SIZE	CATALOG No.
1-1/4 INCH	EC38597 or H38597-2
1-1/2 INCH	EC38598 or H38598-2
2 INCH	EC38599 or H38599-2
2-1/2 INCH	EC38600 or H38600-2

Hub Cover Plate Kit
Cat No: EC38595 or H38595-1

DEMAND RESET COVER WITH 4 X 4 VIEWING WINDOW

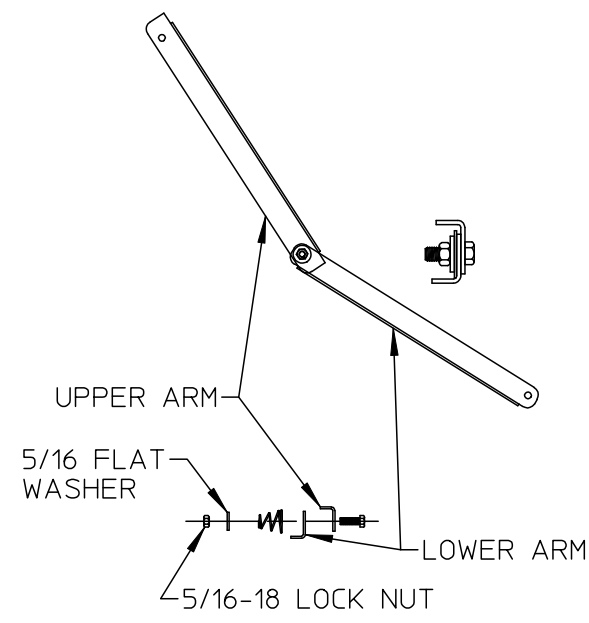
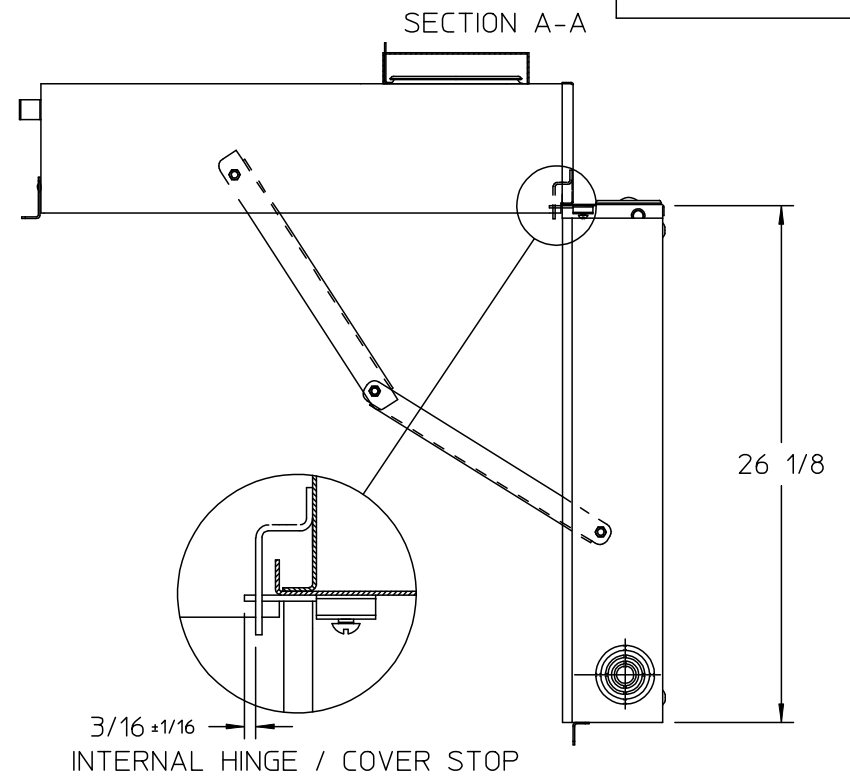
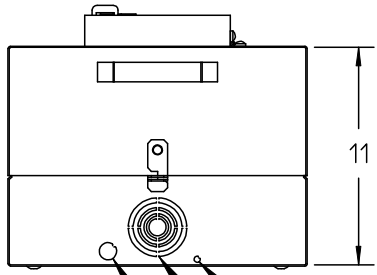


METER HOOK

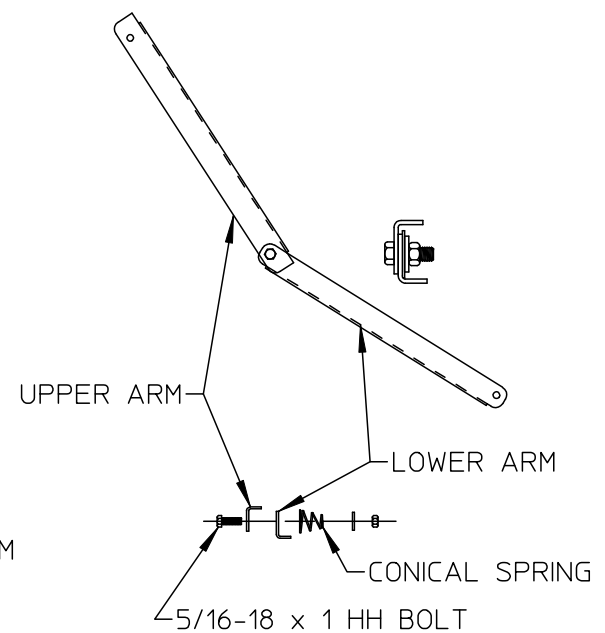


3/4 X 11-1/2 X 20 CCA TREATED PLYWOOD

GROUND



LH SIDE HINGE ARM ASY



RH SIDE HINGE ARM ASY

- .312 DIA. KO (2) PLACES
- 2-1/2, 2, 1-1/2, 1-1/4, 1, 3/4, AND 1/2 (4) PLACES
- 1/2" KO (2) PLACES

© 2015 Copyright Siemens Industry, Inc.



A BASE CT ENCLOSURE

Description:
A BASE ENCLOSURE TALON 261511