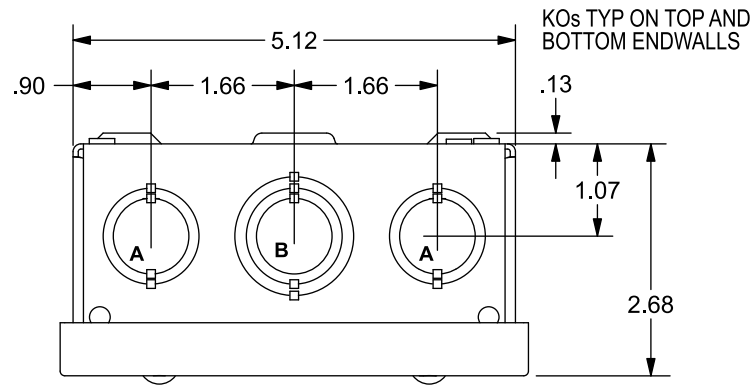


Features and Ratings

- 60A Max, 1 Phase, 3 Wire, 120/240V ~
- Indoor Enclosure NEMA Type 1
- Surface Trim
- (2) 1" Spaces, (4) Circuits Max.



E0204ML1060S



ACCESSORIES

- Accessories:**
 1" Filler Plate - Cat. Number ECQF3
 Ground Bar, 5 Taps - Cat. No. ECGB5

TERMINAL WIRE SIZES AND TORQUES

Line Terminals A and B Suitable for 60°/75°C Conductors.
 Wire Size: #14-2 AWG. Torque Terminals to:
 35 lb-in for #14-#10 AWG,
 40 lb-in for 8 AWG and
 45 lb-in for #6-2 AWG.

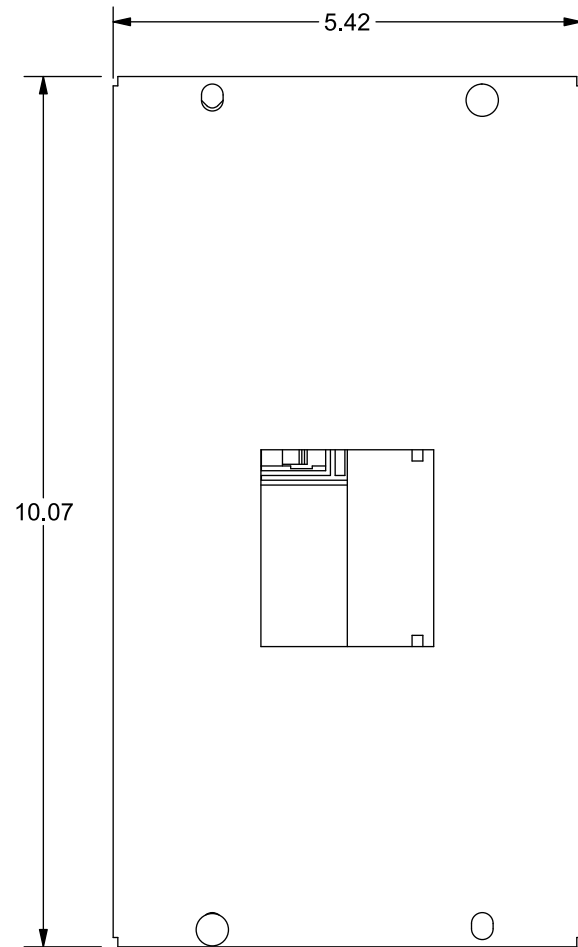
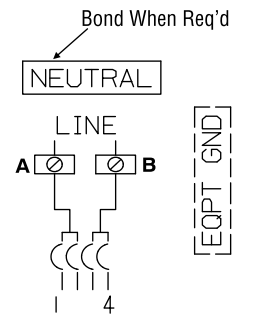
Load Terminals
 See markings on breaker for torque requirements and conductor rating.

Ground Bar Wire Size
 Copper: One #14-#4 AWG or Two or Three #14-#10 AWG.
 Aluminum: One #12-#4 AWG or Two or Three #12-#10 AWG.

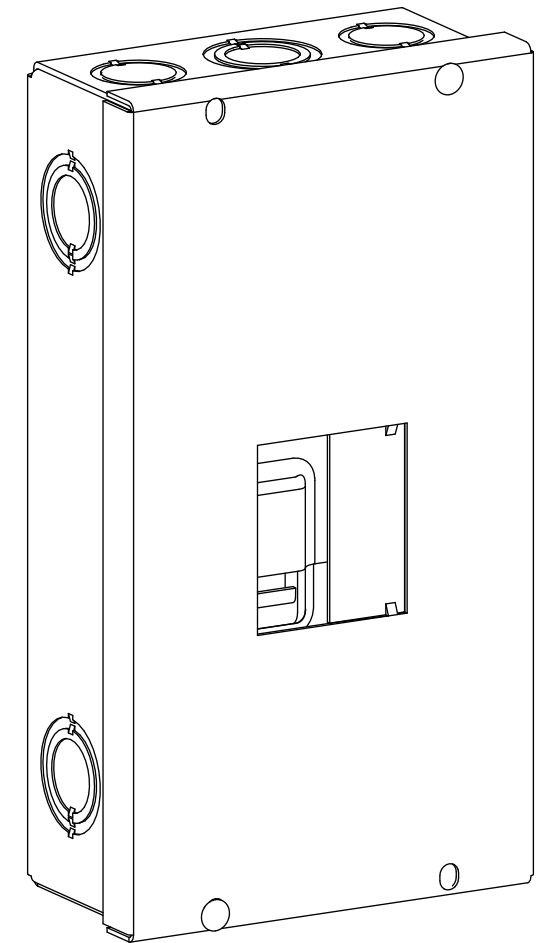
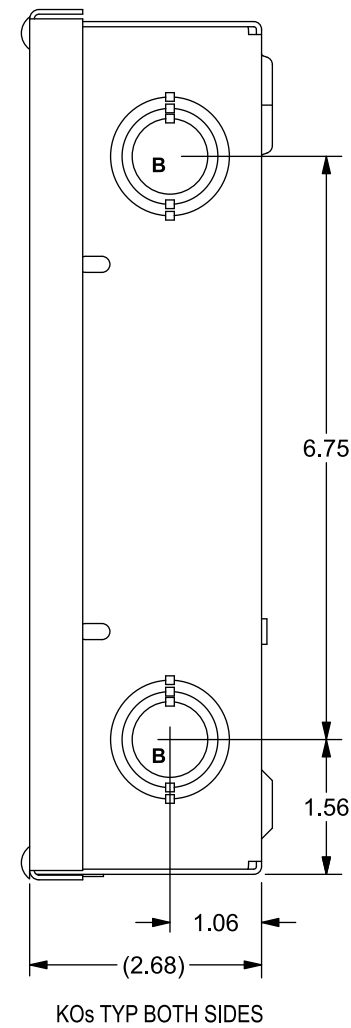
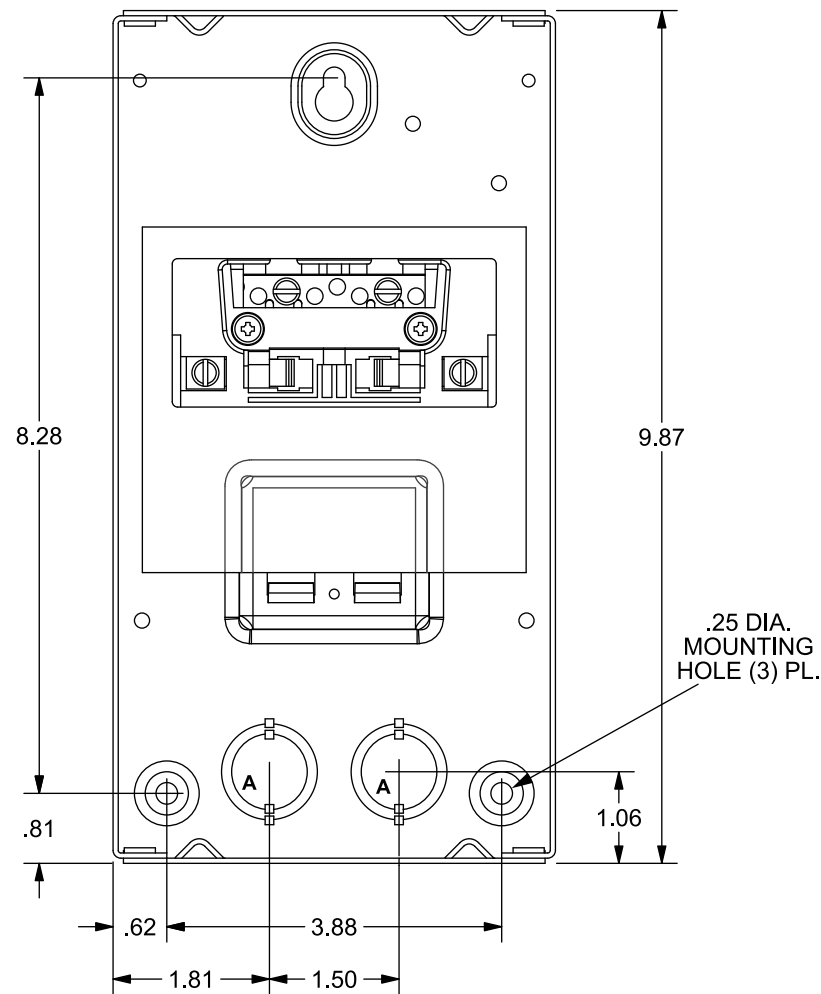
Tighten neutral bar terminals as shown below

Wire Size/Range	14-10 AWG	8 AWG	6 AWG	4-2 AWG
Small Terminals:	20 LB-IN	25 LB-IN	35 LB-IN	---
Large Terminals:	35 LB-IN	40 LB-IN	45 LB-IN	45 LB-IN

SCHEMATIC

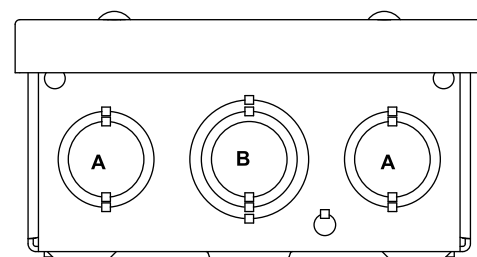


View Shown with Cover Removed



KNOCKOUT CHART

KO Designation	Qty	Conduit Size	KO Size
A	6	1/2", 3/4"	.875, 1.125"
B	6	1/2", 3/4", 1"	.875, 1.125, 1.375"



© 2018 Copyright Siemens Industry, Inc.

SIEMENS
 Siemens Industry, Inc.

Indoor Circuit Breaker Enclosure

Description: **1 Ph, 60A, Surface Trim, Breaker Field Installed**

KAM 4/13/18 DO NOT SCALE DRAWING Dwg No: **E0204ML1060S**