

## Features and Ratings

- 60A Max, 1 Phase, 3 Wire, 120/240V ~
- Indoor Enclosure NEMA Type 1
- Flush Trim
- (2) 1" Spaces, (4) Circuits Max.



# E0204ML1060F

## ACCESSORIES

- Accessories:**  
 1" Filler Plate - Cat. Number ECQF3  
 Ground Bar, 5 Taps - Cat. No. ECGB5

## TERMINAL WIRE SIZES AND TORQUES

**Line Terminals A and B** Suitable for 60°/75°C Conductors.  
 Wire Size: #14-2 AWG. Torque Terminals to:  
 35 lb-in for #14-#10 AWG,  
 40 lb-in for 8 AWG and  
 45 lb-in for #6-2 AWG.

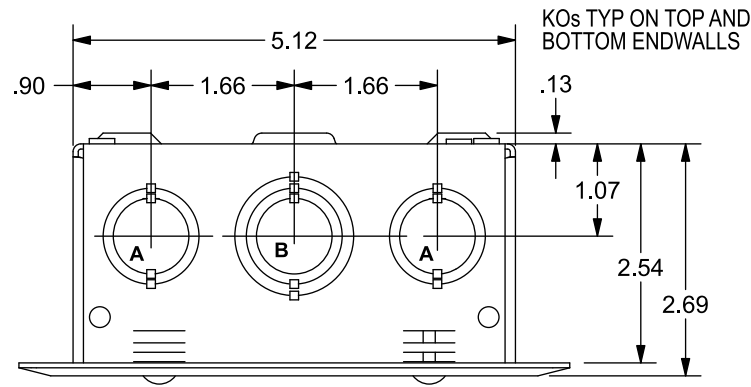
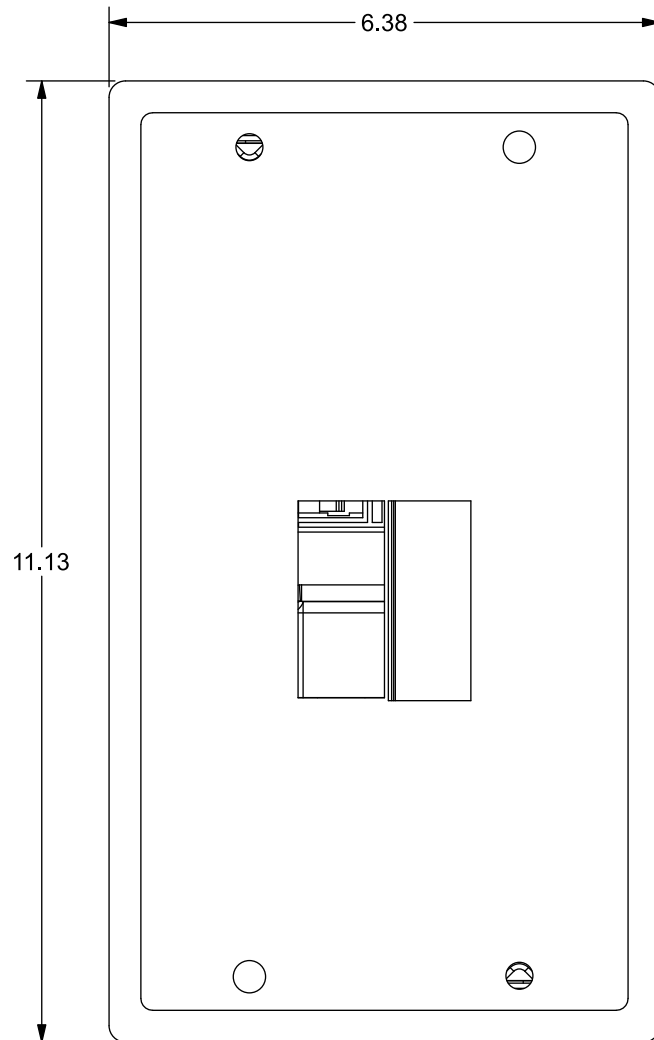
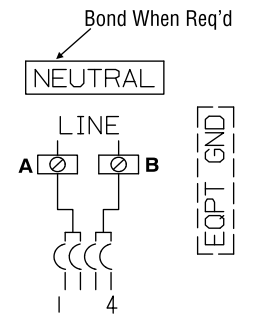
**Load Terminals**  
 See markings on breaker for torque requirements and conductor rating.

**Ground Bar Wire Size**  
 Copper: One #14-#4 AWG or Two or Three #14-#10 AWG.  
 Aluminum: One #12-#4 AWG or Two or Three #12-#10 AWG.

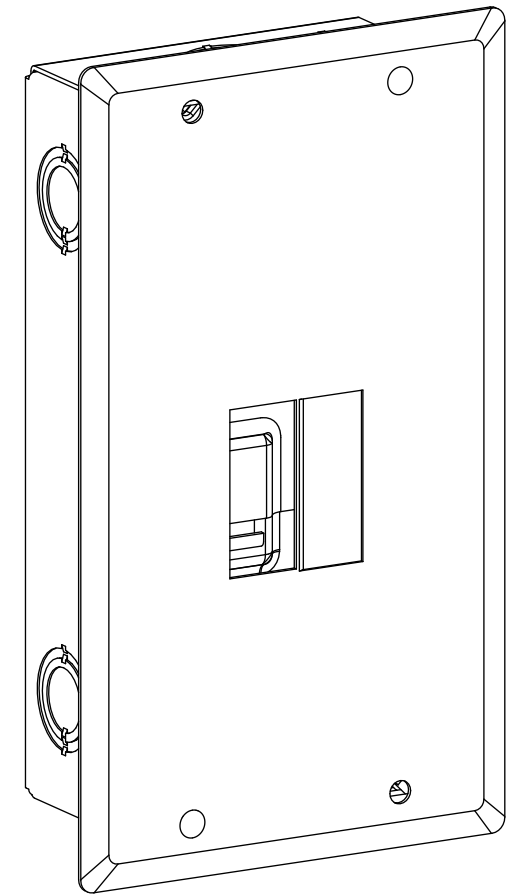
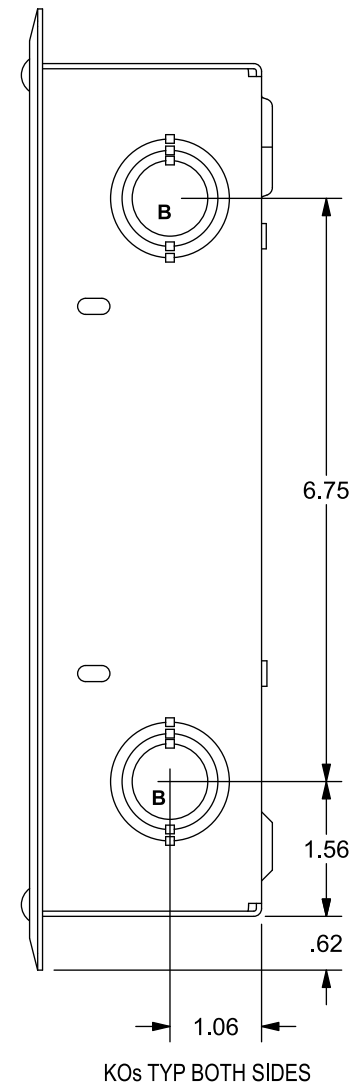
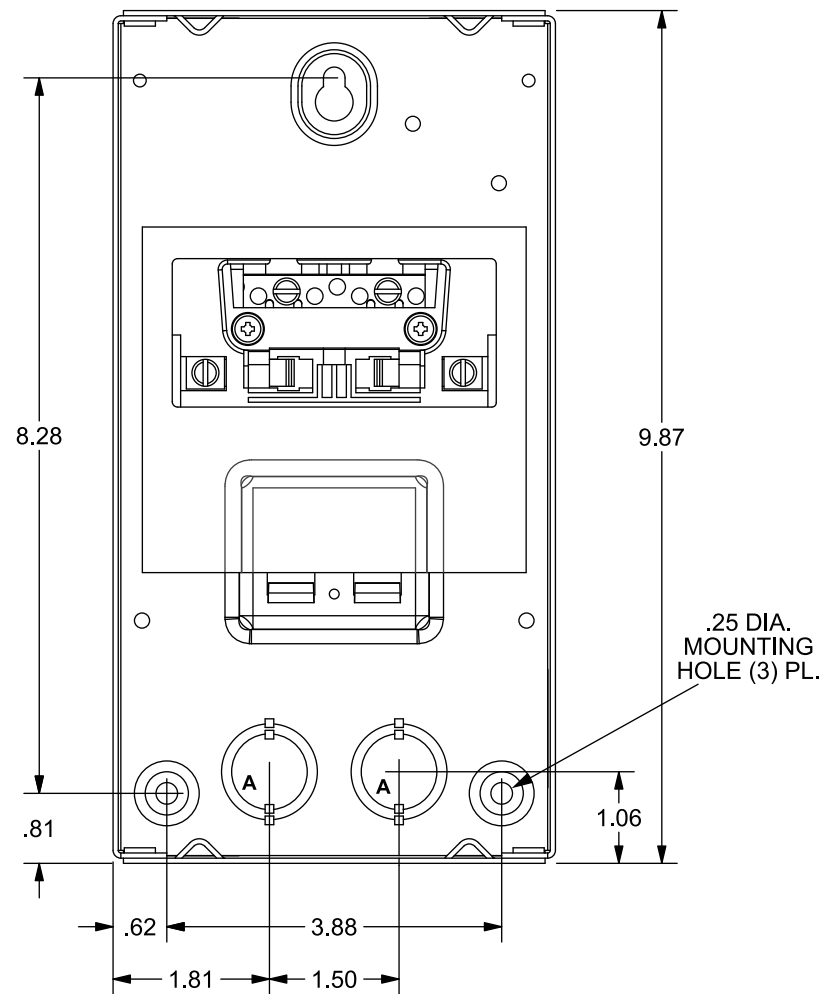
Tighten neutral bar terminals as shown below

Wire Size/Range	14-10 AWG	8 AWG	6 AWG	4-2 AWG
Small Terminals:	20 LB-IN	25 LB-IN	35 LB-IN	---
Large Terminals:	35 LB-IN	40 LB-IN	45 LB-IN	45 LB-IN

## SCHEMATIC

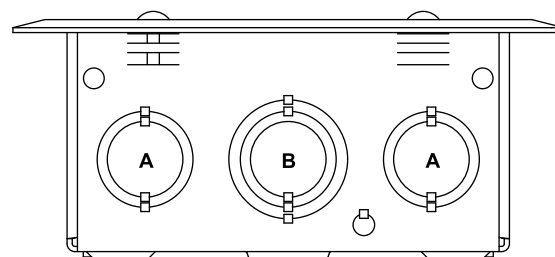


View Shown with Cover Removed



## KNOCKOUT CHART

KO Designation	Qty	Conduit Size	KO Size
A	6	1/2", 3/4"	.875, 1.125"
B	6	1/2", 3/4", 1"	.875, 1.125, 1.375"



© 2018 Copyright Siemens Industry, Inc.

**SIEMENS**  
 Siemens Industry, Inc.

Indoor Circuit Breaker Enclosure

Description: **1 Ph, 60A, Flush Trim, Breaker Field Installed**

KAM 4/16/18 | DO NOT SCALE DRAWING | Dwg No: **E0204ML1060F**