

# SIEMENS

## SEBKP2V4 / SEBKP3V1

Installation Instructions  
for Service Entrance Barrier Kits for  
Vertically-Mounted FD, CFD, QJ or QR Main Breakers in P2 Panels  
and Vertically-Mounted FD or CFD Main Breakers in P3 Panels

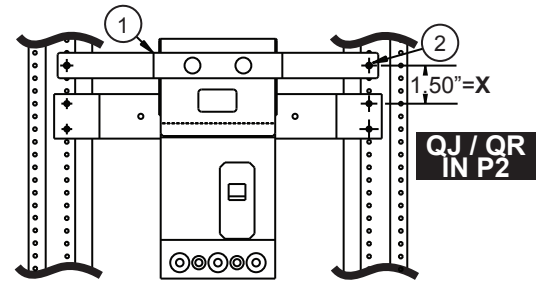
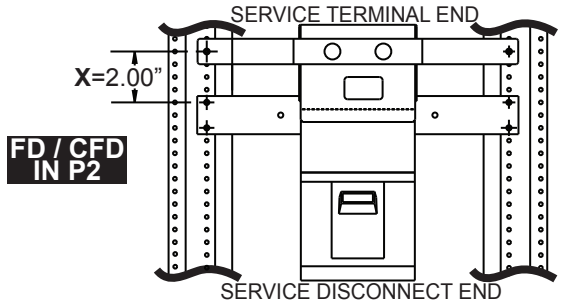
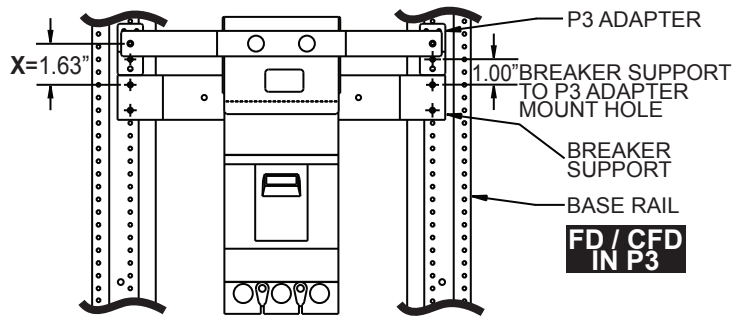
**⚠ DANGER**  
Hazardous voltage. Will cause death or serious injury.  
Keep out. Qualified personnel only. Disconnect and lock off all power before working on this equipment.

This instruction sheet is to support the field installation of Service Entrance Barrier Kits in Siemens P2 (with or without SEM3) or Siemens P3 Panelboards. Kit SEBKP2V4 is for a Vertically-mounted FD, CFD, QJ or QR Main Breaker in P2 Panels; and kit SEBKP3V1 is for a Vertically-mounted FD or CFD Main Breaker in P3 Panels. This covers both single and three phase panels, either top or bottom fed.

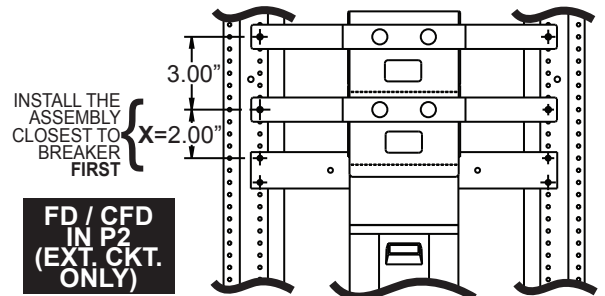
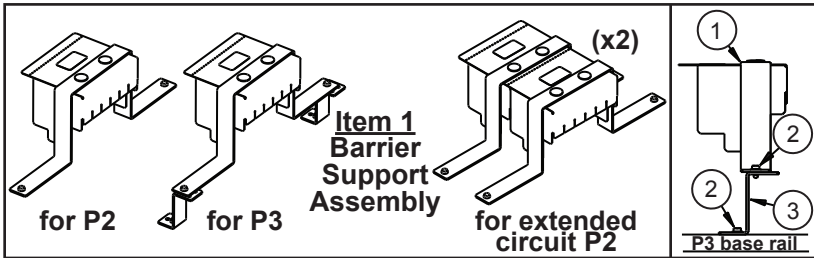
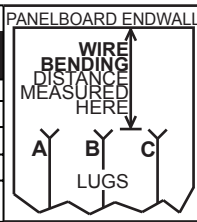
1. Lock off ALL power supplying this equipment before working on it.
2. Remove the panelboard front cover and deadfront.
3. Identify the base rails on the Service Terminal End of the Service Main this will be added to. On top-fed units, this kit will be added **X** inches above the breaker support (where **X** is as shown in each image to the right). For bottom-fed units, the same **X** distance but below it instead.

**For installation onto FD / CFD Main in a P3:**  
The P3 version of this kit includes TWO P3 Adapters (Item 3) and TWO extra screws (Item 2). Mount to base rails as shown in top image with 1 screw each. OTHERWISE PROCEED TO STEP 4

4. Place the base of the Barrier Support Assembly (Item 1) on the base rail **X** inches from the breaker support (or directly on the P3 Adapters). Ensure the barrier completely covers the previously exposed breaker lugs.
5. Drive the metal screws (Item 2) through the properly aligned holes of the bracket base and into the Base Rail (or P3 Adapters). Tighten all #8-32 screws (Item 2) to 20 lb-in.
6. Before energizing the panel, ensure that ALL connections have been properly torqued, that the barrier is in place and secure, that the deadfront is installed and that all fillers are in place.



THIS KIT CONTAINS THE FOLLOWING ITEMS:		
(TWO SEBKP2V4 KITS REQUIRED FOR EXTENDED CIRCUIT P2's WHERE WIRE BENDING SPACE FOR AN FD IS GREATER THAN 15")		
ITEM	DESCRIPTION	QTY
1	Barrier Support Assembly	1
2	#8-32 x 9/32" IHWSW Screw	*
3	P3 Adapter	**
*(2) for SEBKP2V4; (4) for SEBKP3V1		
**(0) for SEBKP2V4; (2) for SEBKP3V1		



These instructions do not purport to cover all details or variations in equipment, or to provide for every possible contingency to be met in connection with installation, operation or maintenance. Should further information be desired or should particular problems arise, which are not covered sufficiently for the purchaser's purposes, the matter should be referred to the local Siemens sales office. The contents of this Instruction manual shall not become part of or modify any prior or existing agreement, commitment or relationship. The sales contract contains the entire obligation of Siemens. The warranty contained in the contract between the parties is the sole warranty of Siemens. Any statements contained herein do not create new warranties or modify the existing warranty.

Trademarks-Unless otherwise noted, all names identified by ® are registered trademarks of Siemens AG or Siemens Industry, Inc. The remaining trademarks in this publication may be trademarks whose use by third parties for their own purposes could violate the rights of the owner.