

# SIEMENS

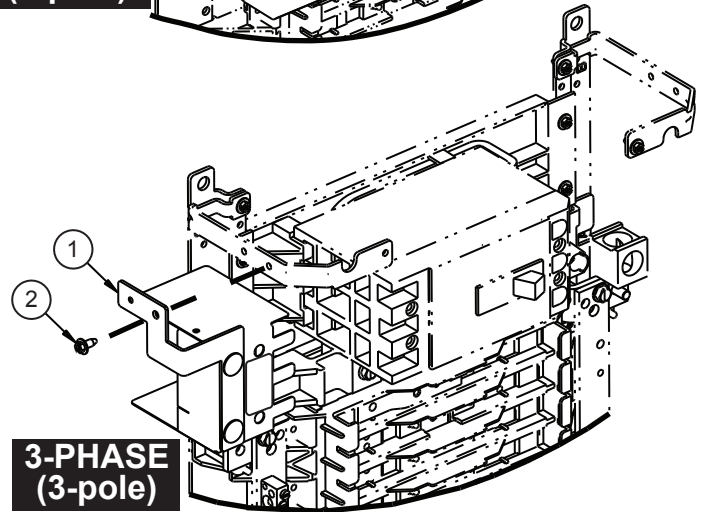
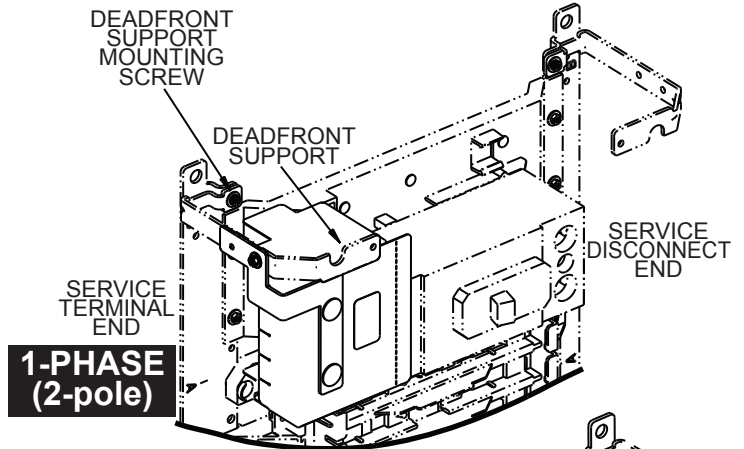
## SEBKRP1V1 / SEBKRP1V2

### Installation Instructions for Service Entrance Barrier Kits for FD, QJ, QR / ED Main Breakers in an RP1 Panel



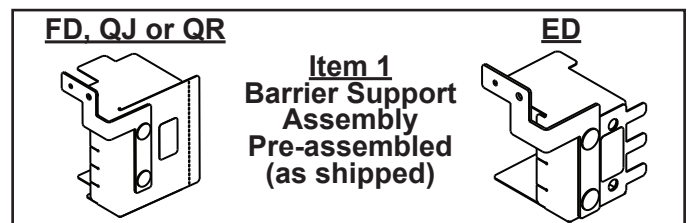
This instruction sheet is to support the field installation of Service Entrance Barrier Kits in Siemens Revised P1 Panelboards. Kit SEBKRP1V1 is for an FD, QJ or QR Main Breaker; kit SEBKRP1V2 is for an ED Main Breaker. This covers both single and three phase panels, either top or bottom fed.

1. Lock off ALL power supplying this equipment before working on it.
2. Remove the panelboard front cover and deadfront.
3. Identify the deadfront support closest to the service terminals of the service disconnect: On top-fed units, the service terminals are in the upper left corner; on bottom-fed units, the service terminals are in the lower right corner.
4. Remove the single deadfront support mounting screw and withdraw that deadfront support from the panel interior.
5. Position the Barrier Support Assembly (Item 1) onto the deadfront support such that the half-shear penetrates the hole nearest the 90 degree bend.
6. Secure the Barrier Support Assembly to the deadfront support using the hole nearest the 45 degree bend, as shown. Tighten the screw (Item 2) to 30 lb-in.
7. Reinstall the deadfront support using the mounting screw removed in Step 4. Tighten the screw to 30 lb-in.
8. **Before energizing the panel**, ensure that ALL connections have been properly torqued, that the barrier is in place and secure, that the deadfront is installed and that all fillers are in place.



#### THIS KIT CONTAINS THE FOLLOWING ITEMS:

ITEM	DESCRIPTION	QTY
1	Barrier Support Assembly	1
2	#10-24 x 7/16" SHWHSW Screw	1



These instructions do not purport to cover all details or variations in equipment, or to provide for every possible contingency to be met in connection with installation, operation or maintenance. Should further information be desired or should particular problems arise, which are not covered sufficiently for the purchaser's purposes, the matter should be referred to the local Siemens sales office. The contents of this Instruction manual shall not become part of or modify any prior or existing agreement, commitment or relationship. The sales contract contains the entire obligation of Siemens. The warranty contained in the contract between the parties is the sole warranty of Siemens. Any statements contained herein do not create new warranties or modify the existing warranty.

Trademarks-Unless otherwise noted, all names identified by ® are registered trademarks of Siemens AG or Siemens Industry, Inc. The remaining trademarks in this publication may be trademarks whose use by third parties for their own purposes could violate the rights of the owner.