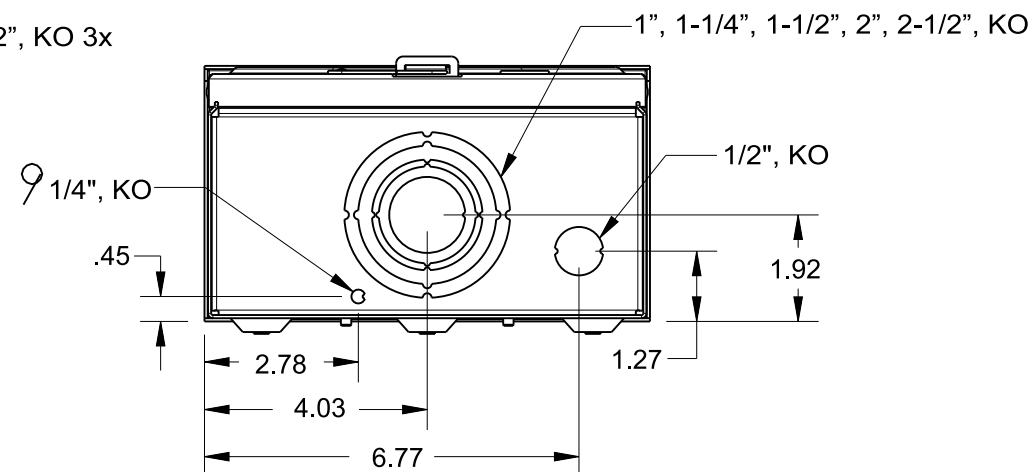
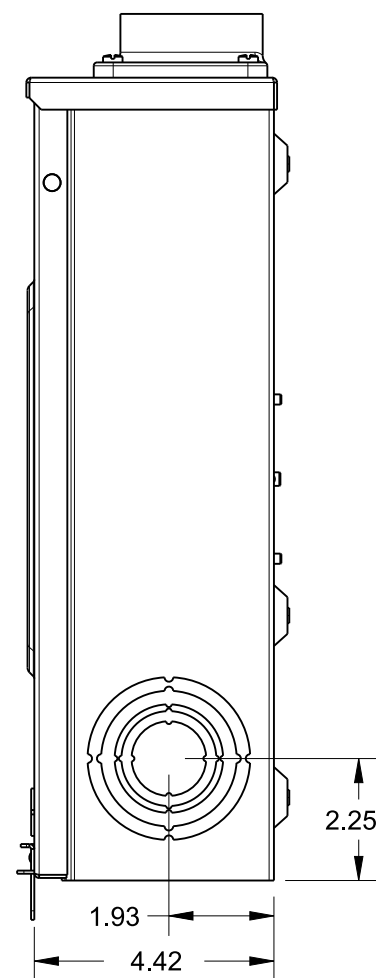
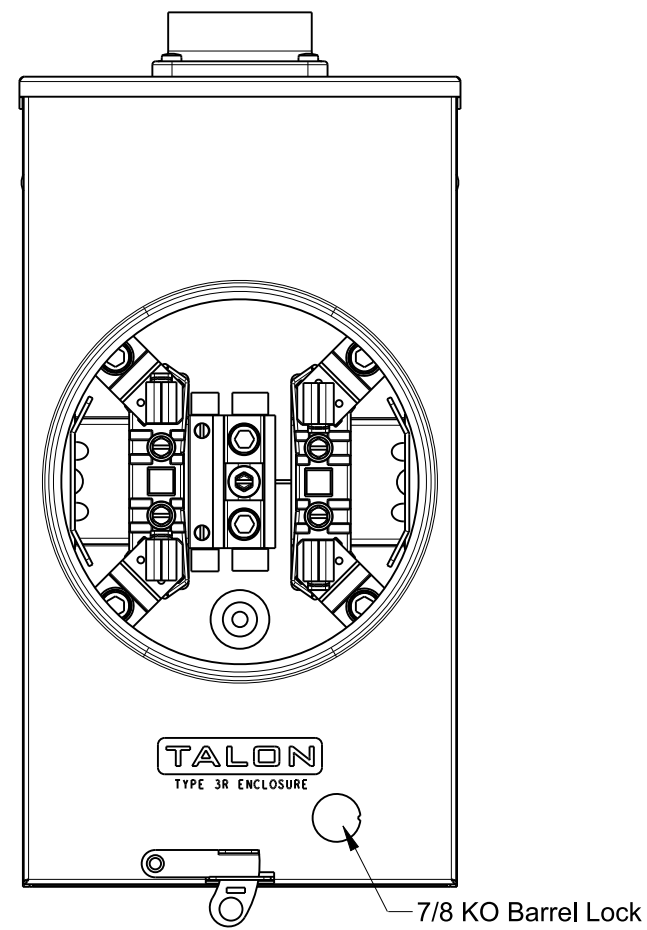
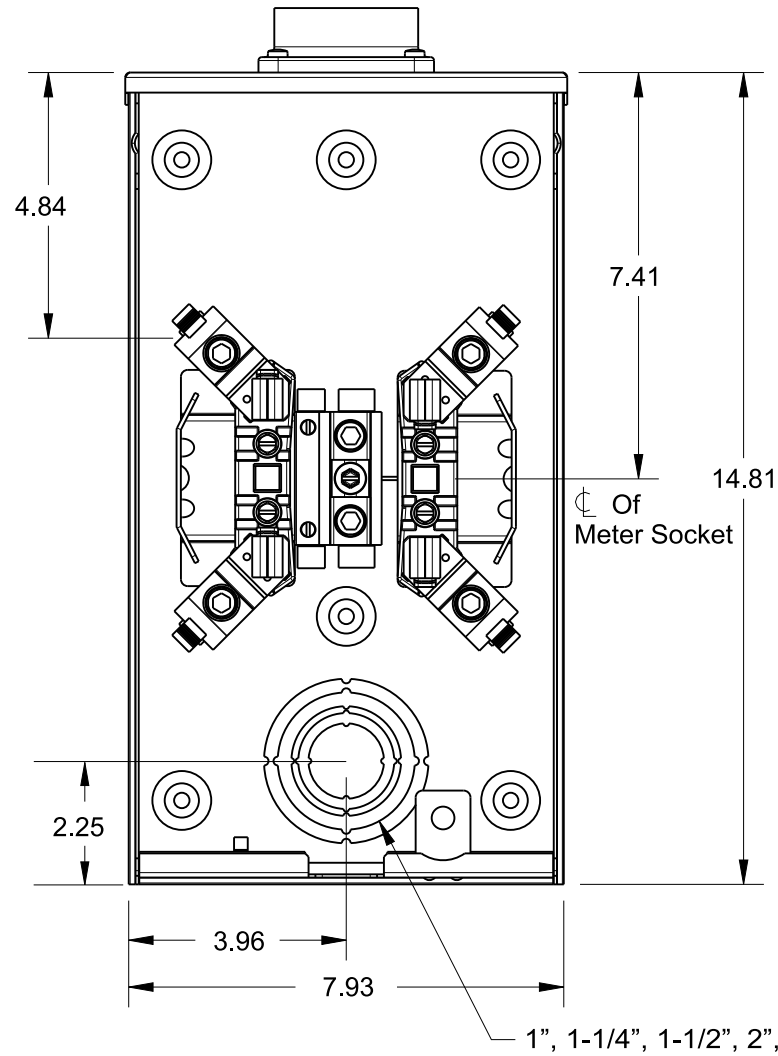
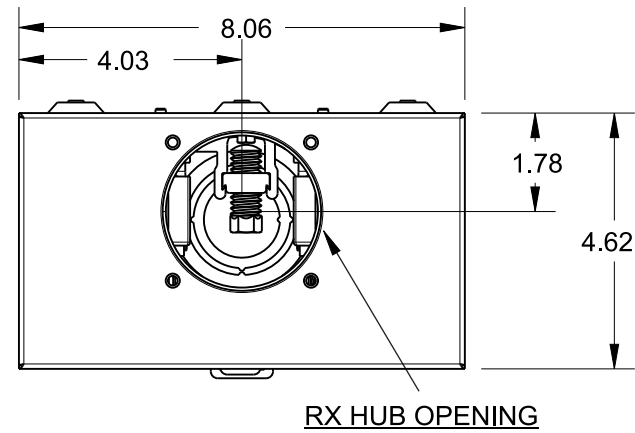


# Catalog Number: UAT337-DPGP

## Features and Ratings

- Ringless Type Meter Socket
- 200A Continuous, 250A Max.
- Outdoor Enclosure (NEMA Type 3R)
- Aluminum Enclosure
- 1 Phase, 3 Wire, 600V AC
- 4 Jaw
- Horn Bypass
- For Overhead Service Only
- RX Hub Opening, 2" Hub Installed
- 7/8" Barrel Lock Provision



### Accessories

Meter Opening Cover Plate  
Cat No: H39968

#### RX HUB KITS

- Cat No: H38597-2 (1.25")
- Cat No: H38598-2 (1.50")
- Cat No: H38599-2 (2.00")
- Cat No: H38600-2 (2.50")

#### RX HUB KITS

- Cat No: EC38597 (1.25")
- Cat No: EC38598 (1.50")
- Cat No: EC38599 (2.00")
- Cat No: EC38600 (2.50")

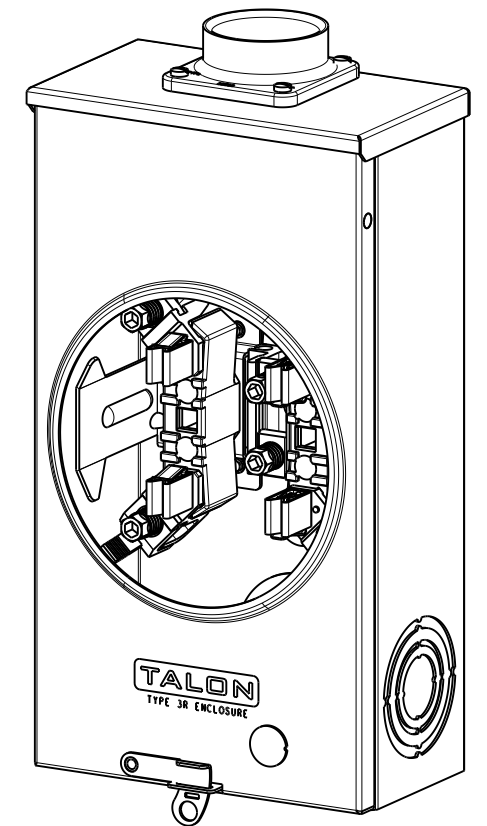
#### HUB COVER PLATE

Cat No: H38595-2

### Lugs, Wire Sizes and Torques

LOCATION	LUG SIZE	TORQUE
LINE*	#6-350 kcmil	250 LB-IN
LOAD*	#6-350 kcmil	250 LB-IN
NEUTRAL*	#6-350 kcmil	250 LB-IN
GROUND*	#14-2	50 LB-IN

\* External Hex drive 1/2"  
\* Internal Hex drive 5/16"



## TALON Meter Socket

Description:  
**200A Cont, 4 Jaw, UAT-3, 600V AC,  
Aluminum Enclosure**