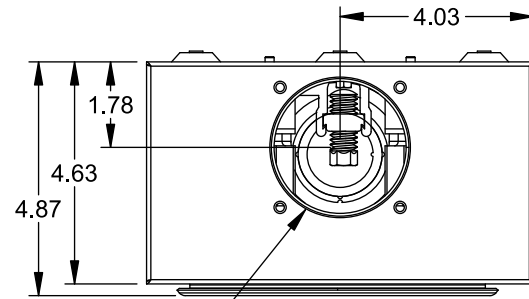


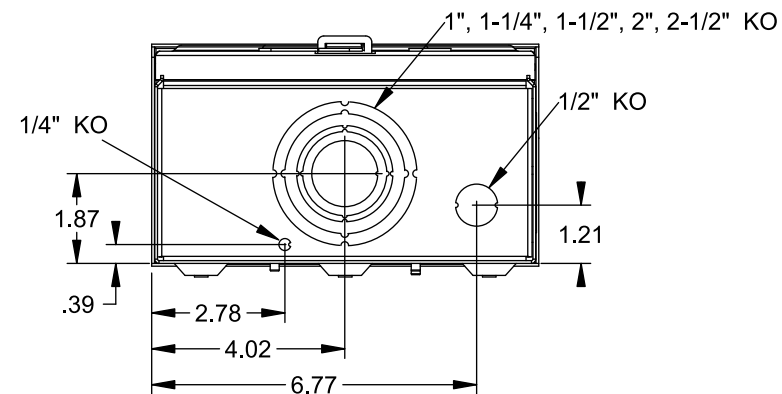
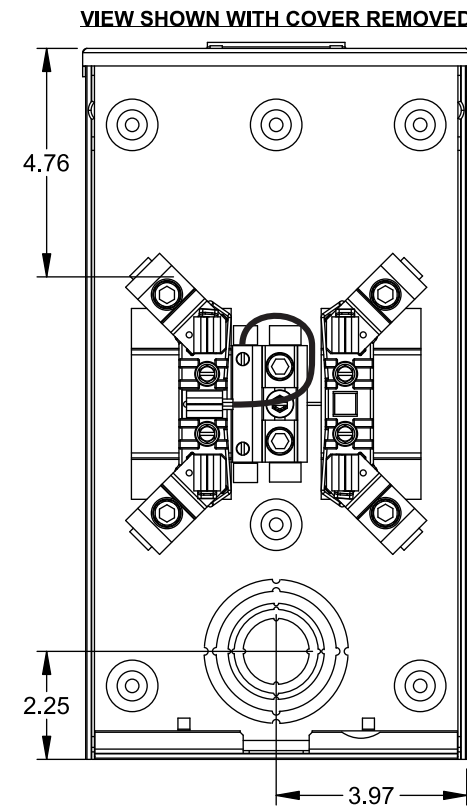
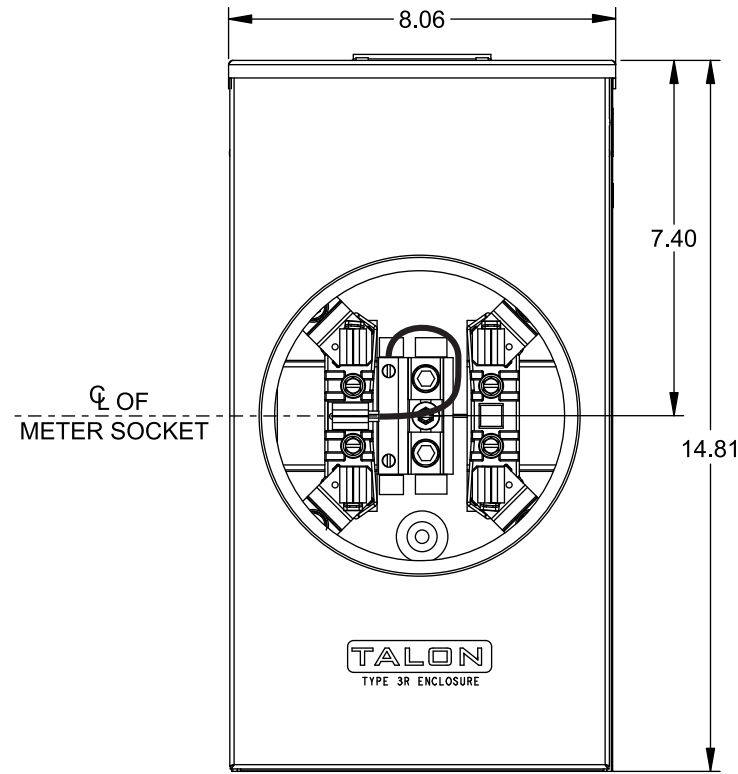
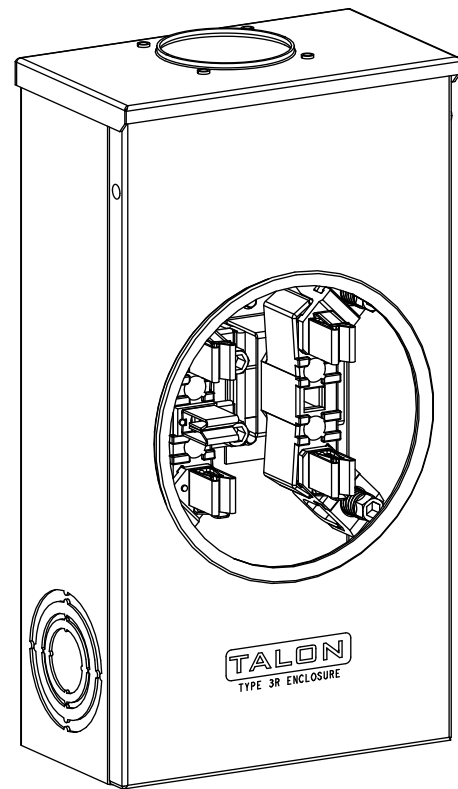
Catalog Number: UAT327-0MCO

Features and Ratings

- Ring Type Meter Socket
- 200A Continuous, 250A Max., 600V AC
- Outdoor Enclosure (NEMA Type 3R)
- Painted G90 Steel
- 1 Phase, 3 Wire
- 5 Jaw Meter Socket
- Meter Socket Type UAT3
- For Overhead Service Only
- RX Type Hub Opening



TYPE RX HUB OPENING



Accessories

CONDUIT HUBS (RX Type)	
TRADE SIZE	CATALOG No.
1-1/4 INCH	EC38597 or H38597-2
1-1/2 INCH	EC38598 or H38598-2
2 INCH	EC38599 or H38599-2
2-1/2 INCH	EC38600 or H38600-2
Hub Cover Plate	EC38595 or H38595-1

Meter Opening Cover Plate
Cat No: H659-0162

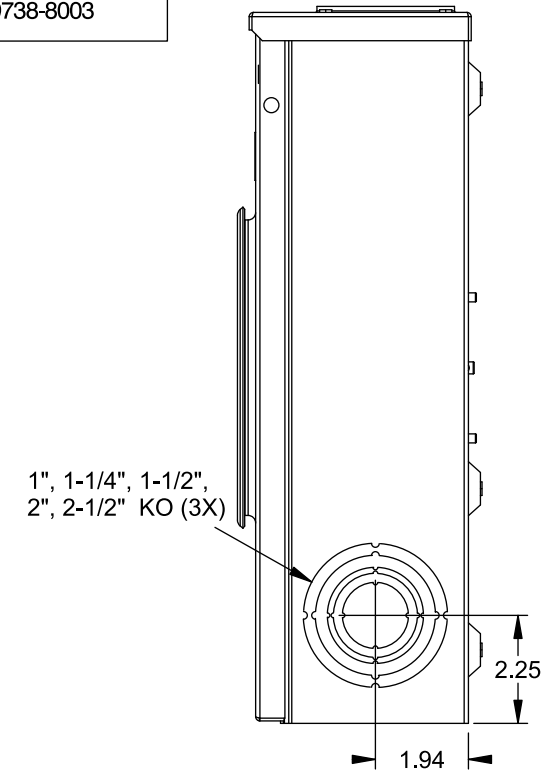
5th Jaw Kit
Cat. No: EC659-0121

Sealing Ring
Stainless Steel Snap Type: H54602
Stainless Steel Screw Type: H9738-8001
H9738-8002
H9738-8003

Connectors, Wire Sizes and Torques

CONNECTOR	WIRE SIZE	TORQUE
LINE, LOAD, NEUTRAL*	#6 - 350 kcmil	250 IN.-LBS.
GROUND	#2 - 14 AWG	50 IN.-LBS.

* External Hex Drive 1/2"
* Internal Hex Drive 5/16"



© 2015 Copyright Siemens Industry, Inc.

TALON
Meter Socket

Description: 200A Cont, 5 Jaw, UAT3,
600V AC, Painted Steel Enclosure

JEL 6/30/15 DO NOT SCALE DRAWING Dwg No: UAT327-0MCO