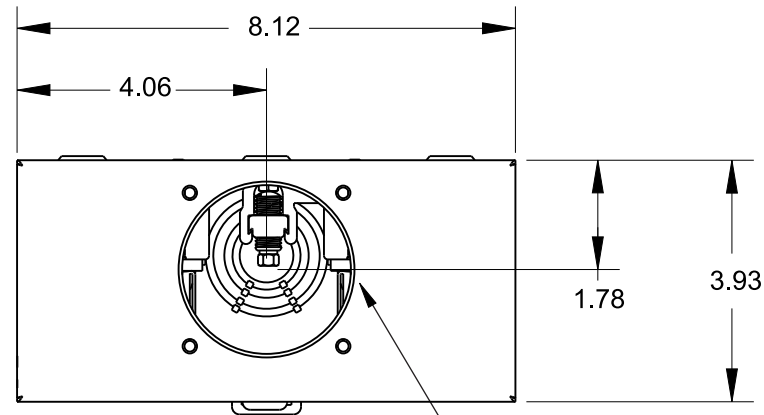


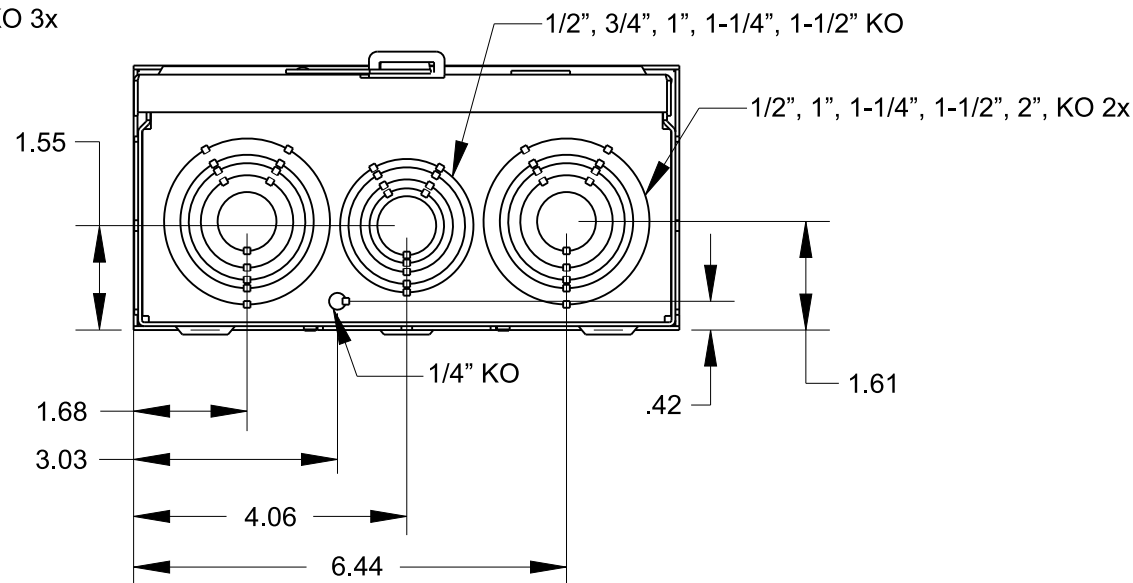
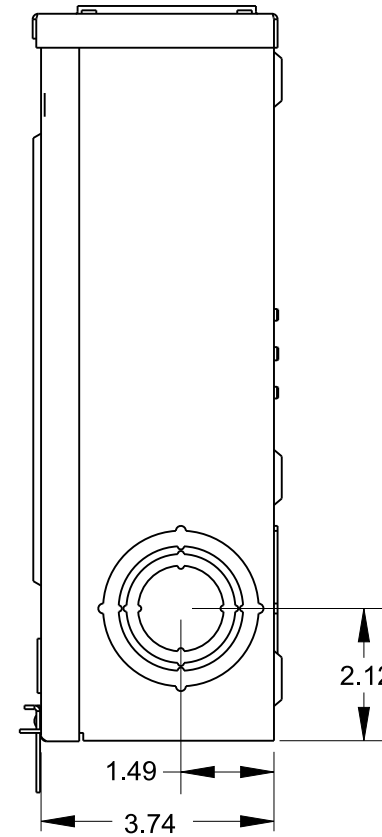
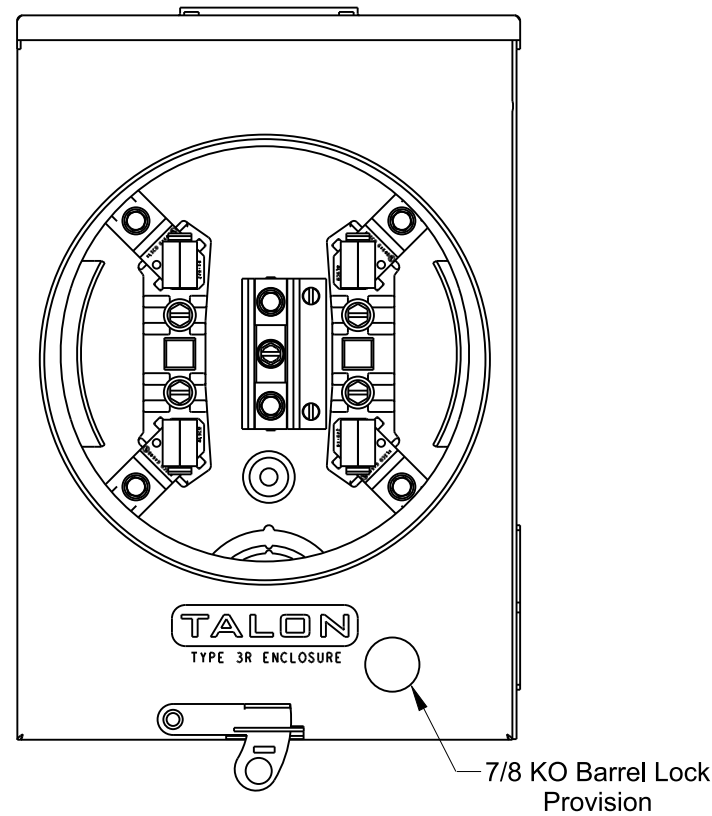
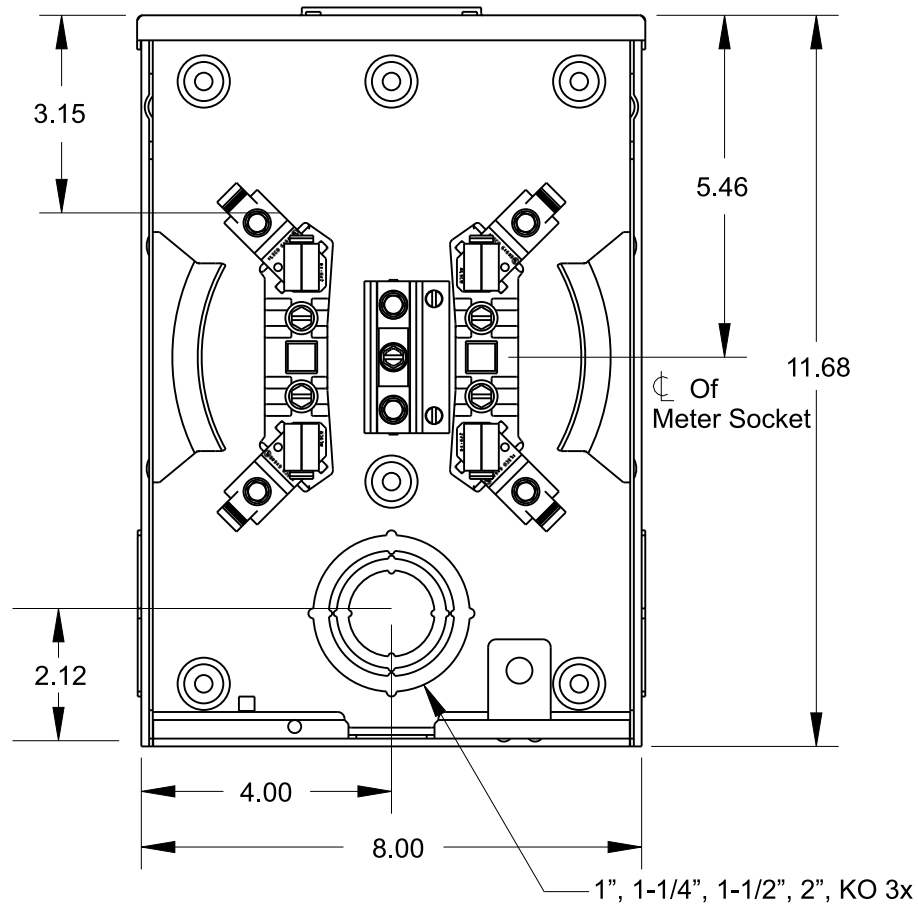
Catalog Number: UAT131-OPGP

Features and Ratings

- Ringless Type Meter Socket
- 135A Continuous, 135A Max.
- Outdoor Enclosure (NEMA Type 3R)
- Aluminum Enclosure
- 1 Phase, 3 Wire, 600V AC
- 4 Jaw
- Horn Bypass
- For Overhead or Underground Service
- RX Hub Opening
- 7/8" Barrel Lock Provision



RX HUB OPENING



Accessories

Meter Opening Cover Plate

Cat No: H39968

RX HUB KITS

Cat No: H38597-2 (1.25")

Cat No: H38598-2 (1.50")

Cat No: H38599-2 (2.00")

Cat No: H38600-2 (2.50")

RX HUB KITS

Cat No: EC38597 (1.25")

Cat No: EC38598 (1.50")

Cat No: EC38599 (2.00")

Cat No: EC38600 (2.50")

HUB COVER PLATE

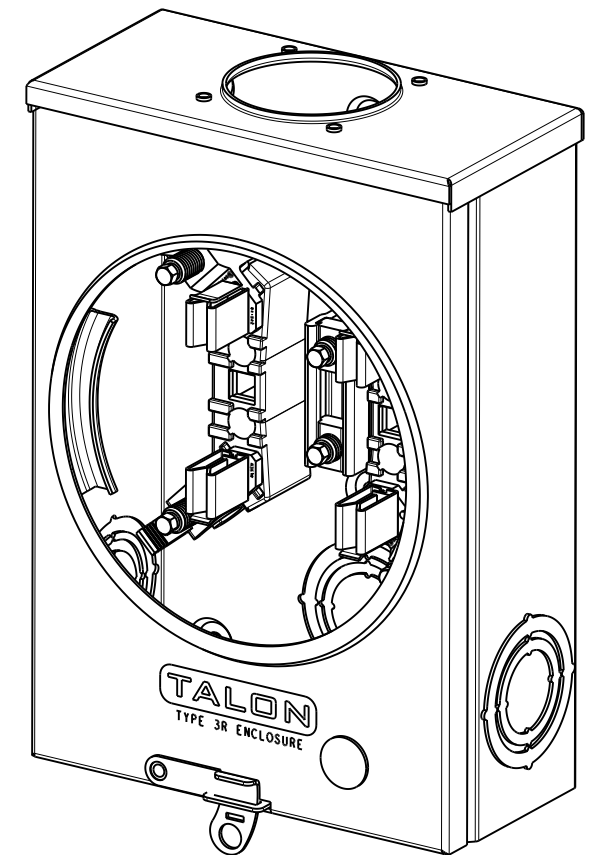
Cat No: H38595-2

Lugs, Wire Sizes and Torques

| LOCATION | LUG SIZE | TORQUE |
|----------|--------------|-----------|
| LINE* | #6-350 kcmil | 250 LB-IN |
| LOAD* | #6-350 kcmil | 250 LB-IN |
| NEUTRAL* | #6-350 kcmil | 250 LB-IN |
| GROUND* | #14-2 | 50 LB-IN |

* External Hex drive 1/2"

* Internal Hex drive 5/16"



TALON

Meter Socket

Description:
**135A Cont, 4 Jaw, UAT-1, 600V AC,
 Aluminum Enclosure**