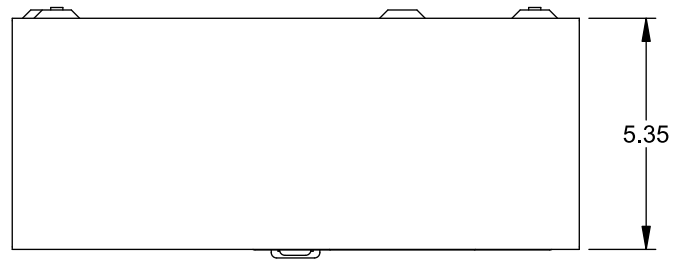


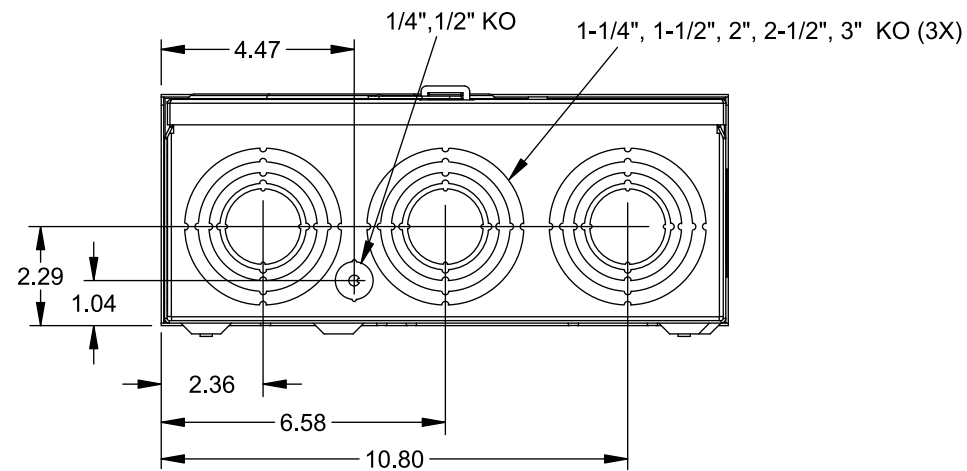
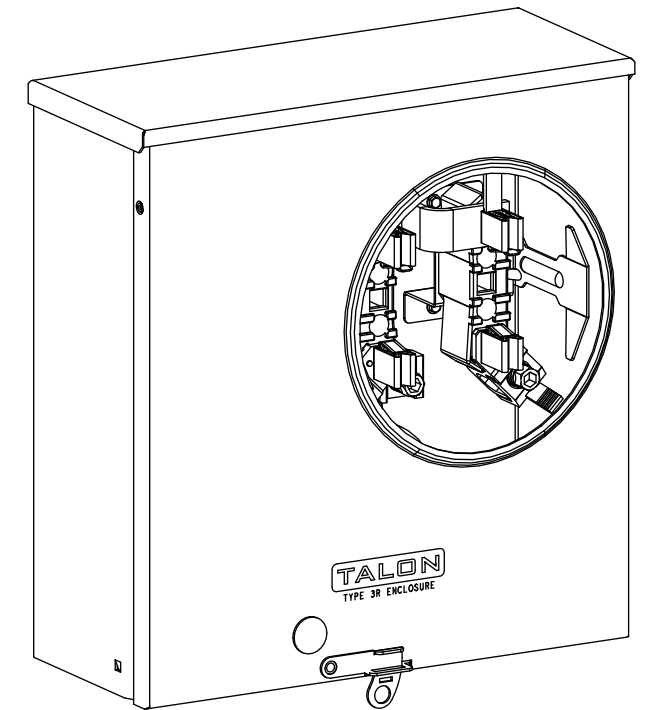
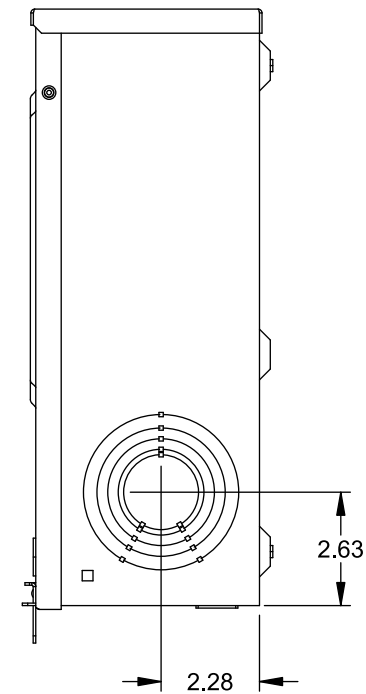
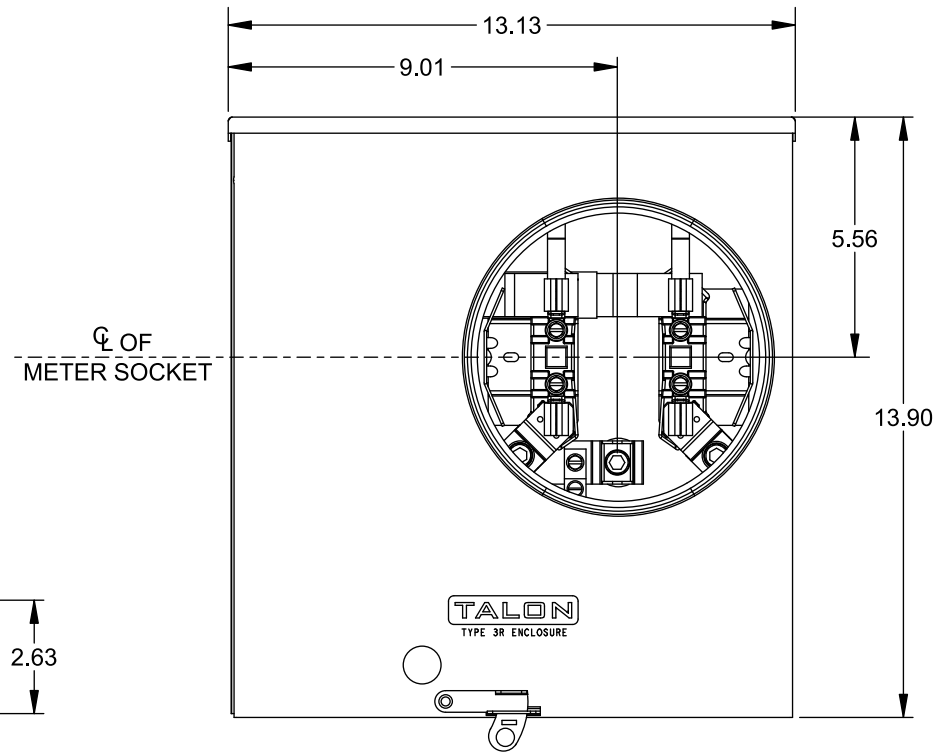
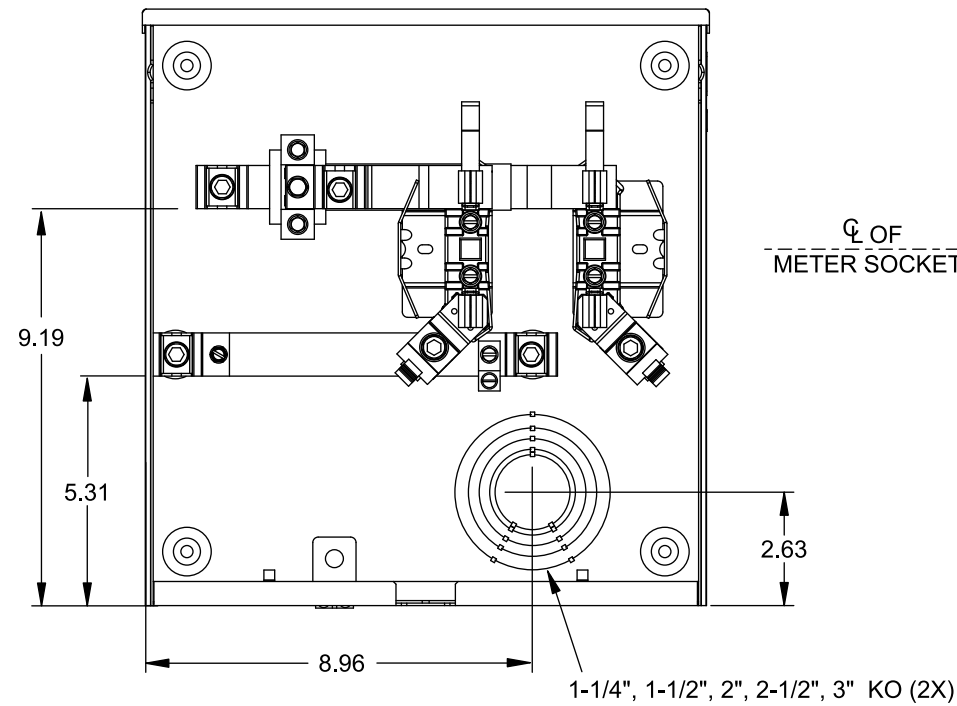
# Catalog Number: UAS877-PPGP

## Features and Ratings

- Ringless Type Meter Socket
- 200A Continuous, 250A Max., 600V AC
- Outdoor Enclosure (NEMA Type 3R)
- Painted G90 Steel
- 1 Phase, 3 Wire
- 4 Jaw Meter Socket
- Meter Socket Type UAS8
- For Underground Service Only
- 7/8" Barrel Lock Provision
- Horn Bypass
- One Ground Lug



VIEW SHOWN WITH COVER REMOVED



## Connectors, Wire Sizes and Torques

CONNECTOR	WIRE SIZE	TORQUE
LINE, LOAD, NEUTRAL*	#6 - 350 kcmil	250 IN.-LBS.
GROUND	#2 - 14 AWG	50 IN.-LBS.

- \* External Hex Drive 1/2"
- \* Internal Hex Drive 5/16"

## Accessories

Meter Opening Cover Plate  
Cat No: H659-0162

5th Jaw Kit  
Cat. No: EC659-0121

© 2015 Copyright Siemens Industry, Inc.

**TALON**

**Meter Socket**

Description: **200A Cont, 4 Jaw, UAS8, 600V AC, Painted Steel Enclosure**

JEL 6/30/15 | DO NOT SCALE DRAWING | Dwg No: **UAS877-PPGP**