

Catalog Number: UAS877-PGF

Features and Ratings

- Ringless Type Meter Socket
- 200A Continuous, 200A Max
- Outdoor Enclosure (NEMA Type 3R)
- Painted G90 Steel
- 1 Phase, 3 Wire, 600V AC
- 4 Jaw
- For Underground Service Only
- Stainless Steel Hasps and Latches

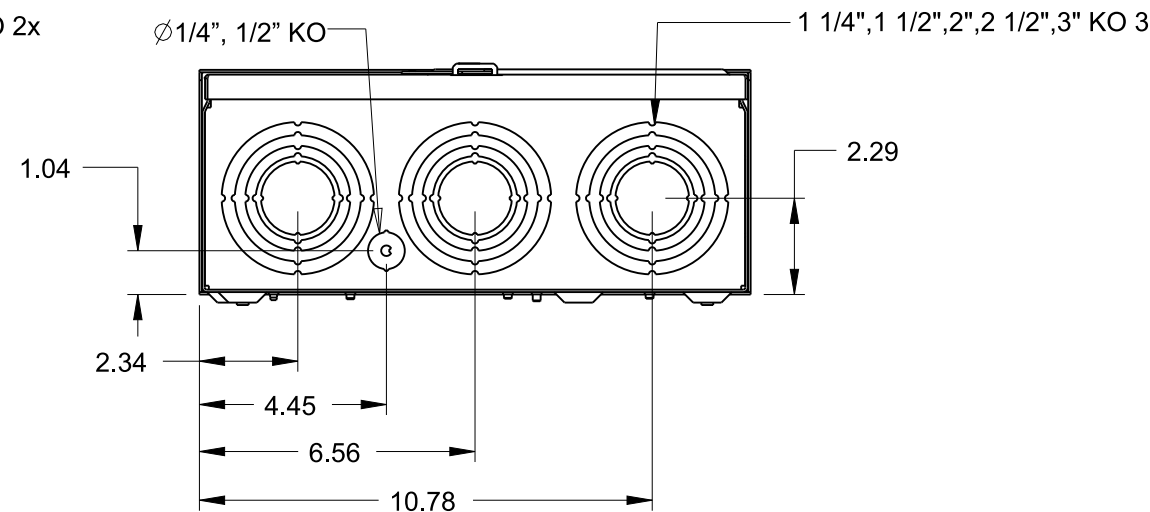
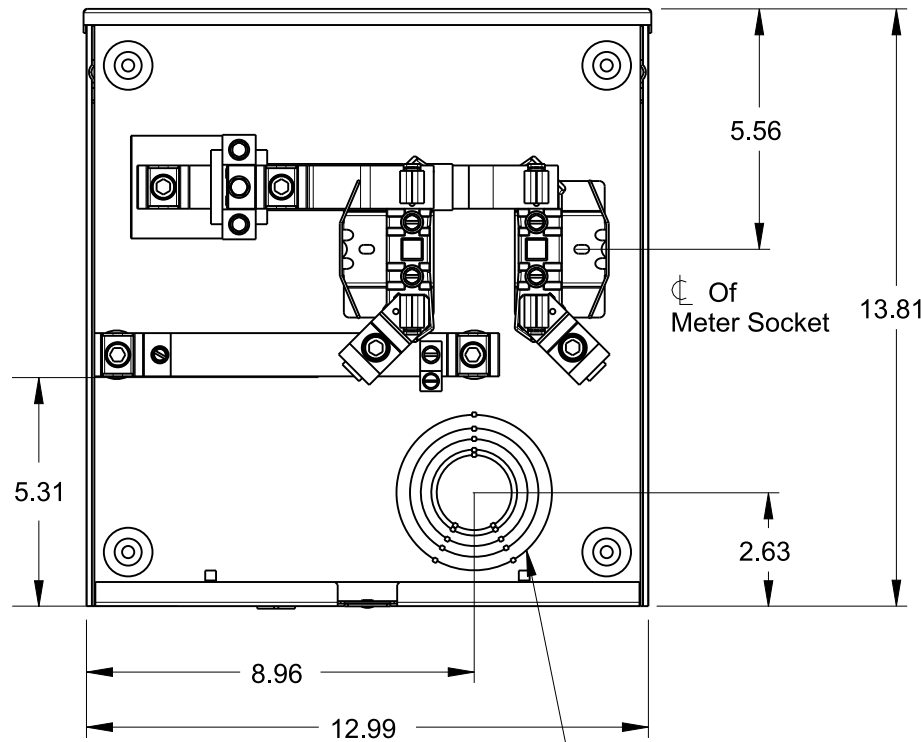
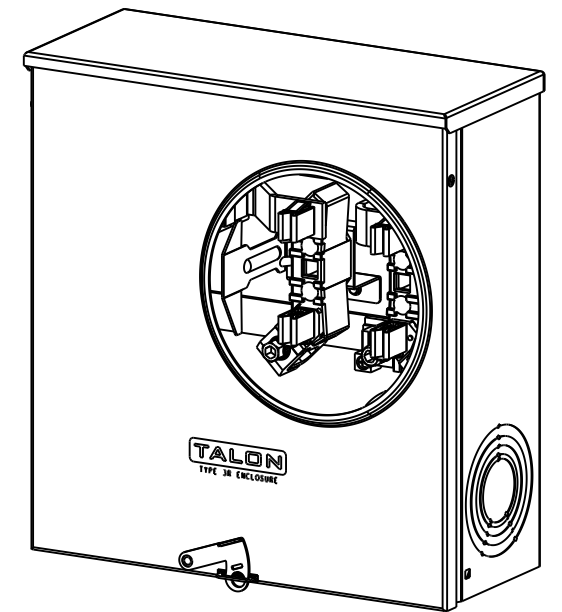
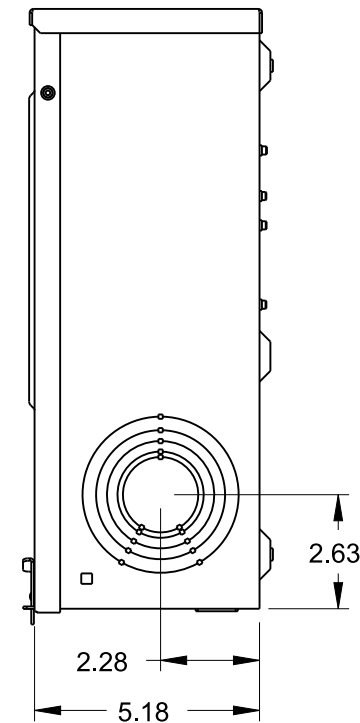
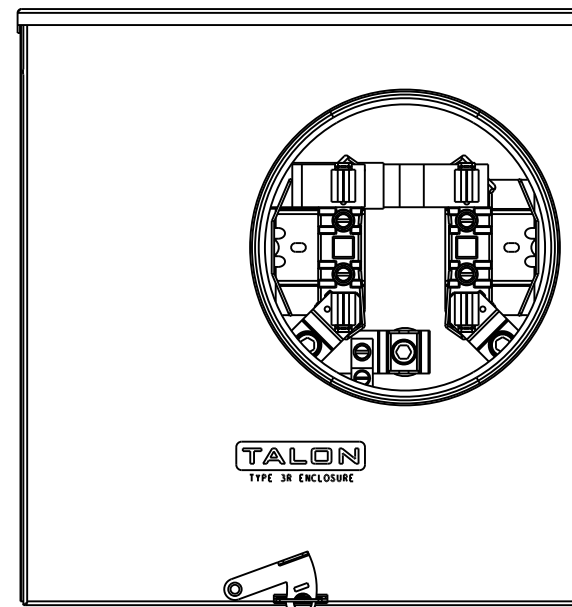
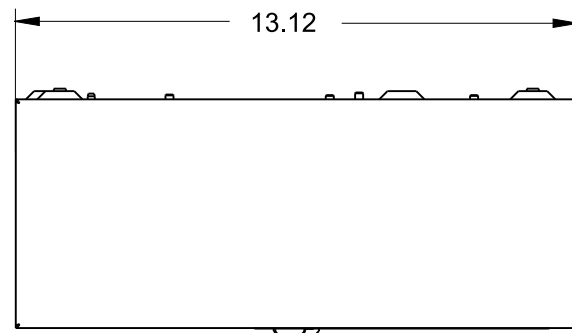
CONNECTORS	WIRE SIZE	TORQUE
LINE, NEUTRAL LINE	#6-350kcmil	250 IN-LB
LOAD, NEUTRAL LOAD	#6-350	250 IN-LB
GROUND	#14-2/0	50 IN-LB

* External Hex drive 1/2"
* Internal Hex drive 5/16"

ACCESSORIES

Meter Opening Cover Plate
Cat No: H39968

5th Terminal Use Talon Kit
Cat No: 659-0121



TALON		
Multi-Position Metering		
Description: 200A Cont, 4 Jaw, AS8, 600VAC, Painted G90 Steel		
NH 05MAY15	DO NOT SCALE DRAWING	Dwg No: UAS877-PGF