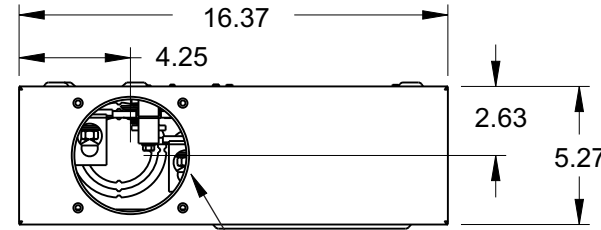


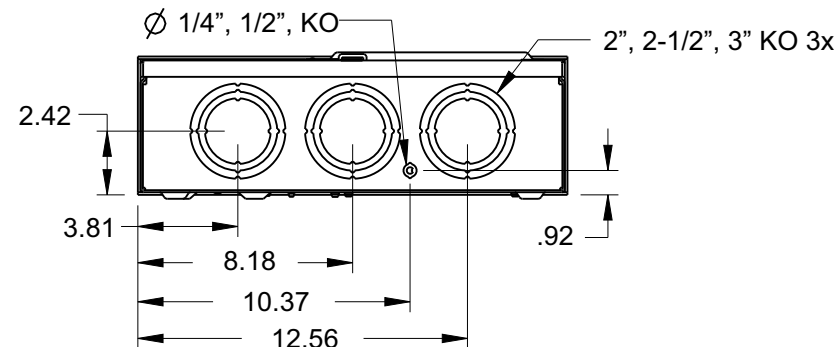
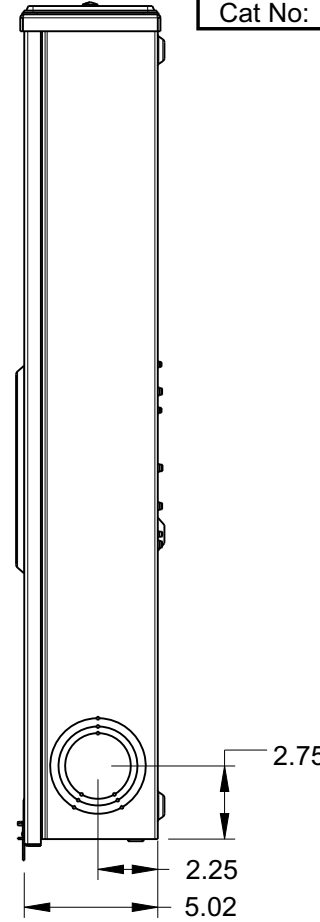
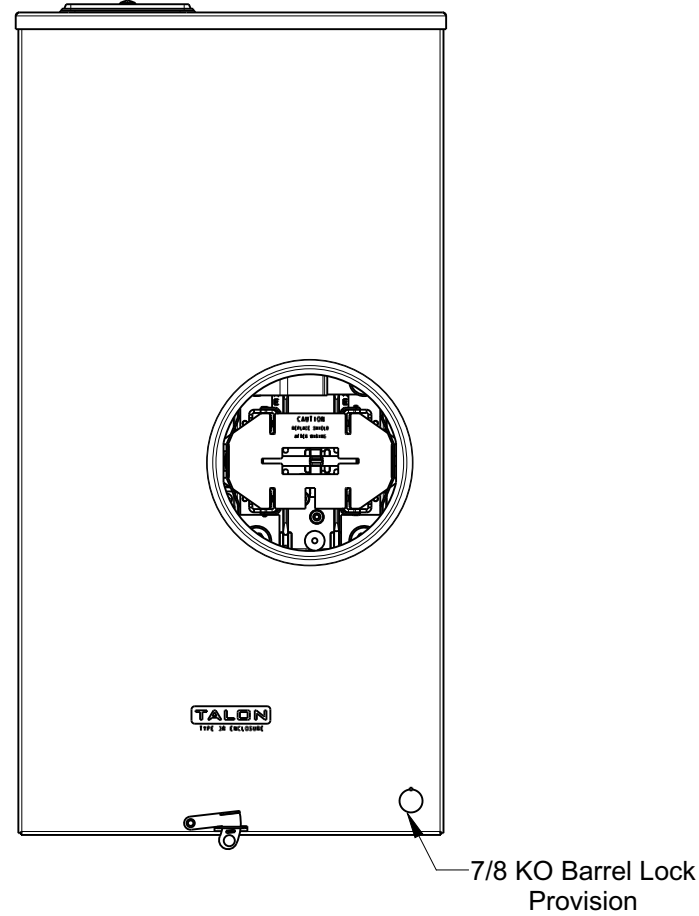
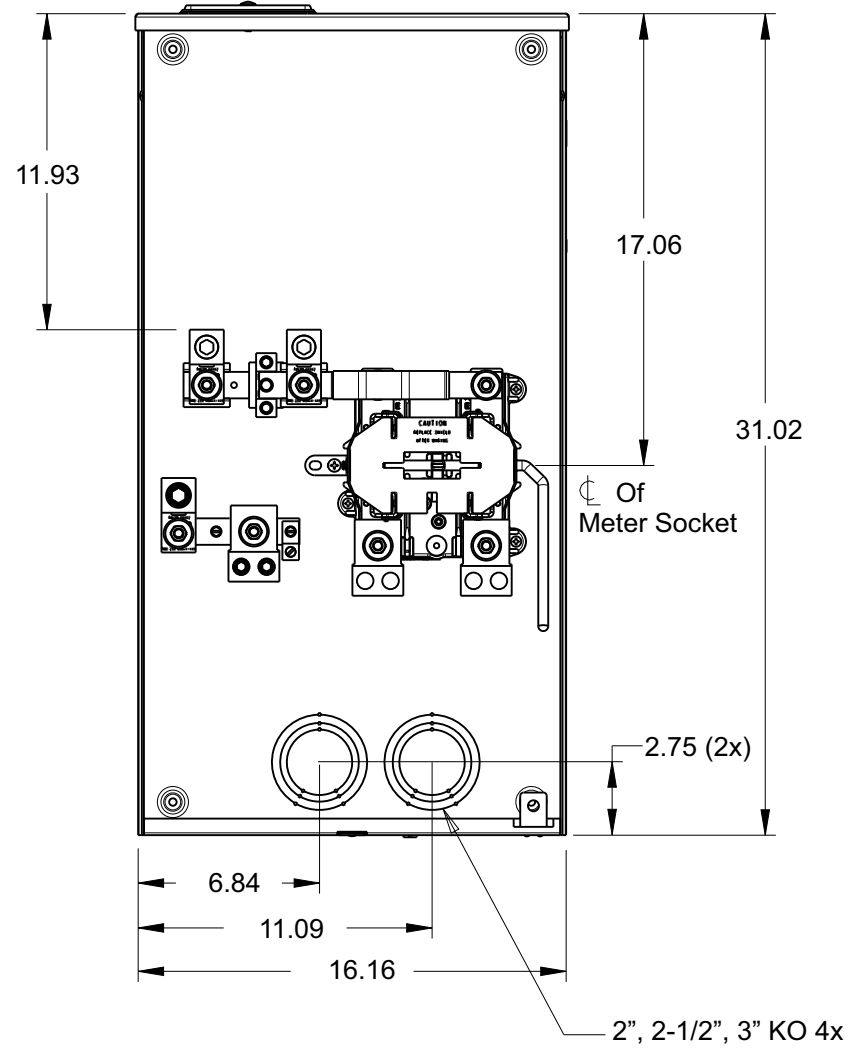
Catalog Number: 49504-82GP

Features and Ratings

- Ringless Type Meter Socket
- 320A Continuous, 400A Max.
- Outdoor Enclosure (NEMA Type 3R)
- Painted Aluminum
- 1 Phase, 3 Wire, 600V AC
- 4 Jaw
- HQ Clamp Jaw Lever Bypass Meter Socket
- For Overhead or Underground Service
- HD Hub Opening With Coverplate Installed
- One Ground Lugs
- 7/8" Barrel Lock Provision



HD HUB PROVISION



Accessories

Meter Opening Cover Plate

Cat No: H39968

HD CONDUIT HUB KITS

Cat No: H56856-2 (3")

Cat No: H56857-2 (3.50")

Cat No: H56858-2 (4")

HD CONDUIT HUB KITS

Cat No: EC56856 (3")

Cat No: EC56857 (3.50")

Cat No: EC56858 (4")

HD COVERPLATE

Cat No: H56933

HD COVERPLATE

Cat No: EC56933S

SHIELD ASSEMBLY WITH

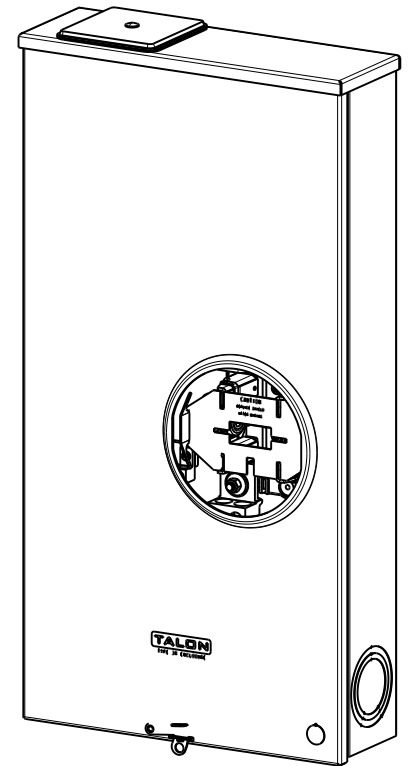
5TH JAW

Cat No: H35815-5

Lugs, Wire Sizes and Torques

LOCATION	PART NO.	HEX DRIVE SIZE	WIRE SIZE	TORQUE
LINE*	H60162	1/2"	#4 AWG-600 kcmil (2)#1/0 AWG-250 kcmil	500 LB-IN
LINE	H56476	1/2"	#3/0 AWG-800 kcmil	500 LB-IN
LINE	H56732-2	5/16"	(2)#4 AWG-350 kcmil	275 LB-IN
LOAD	H60162	1/2"	#4 AWG-600 kcmil (2)#1/0 AWG-250 kcmil	500 LB-IN
LOAD	H56476	1/2"	#3/0 AWG-800 kcmil	500 LB-IN
LOAD*	H56732-2	5/16"	(2)#6 AWG-350 kcmil	275 LB-IN
NEUTRAL*	H60162	1/2"	#4 AWG-600 kcmil (2)#1/0 AWG-250 kcmil	500 LB-IN
NEUTRAL	H56476	1/2"	#3/0 AWG-800 kcmil	500 LB-IN
NEUTRAL	H56732-2	5/16"	(2)#6 AWG-350 kcmil	275 LB-IN
GROUND*	67554A		#14 - 2/0 AWG	50 LB-IN

* indicates factory installed connectors



TALON
Meter Socket

Description:
**320A Cont, 4 Jaw, HQ4SW, 600V AC,
Aluminum Enclosure**