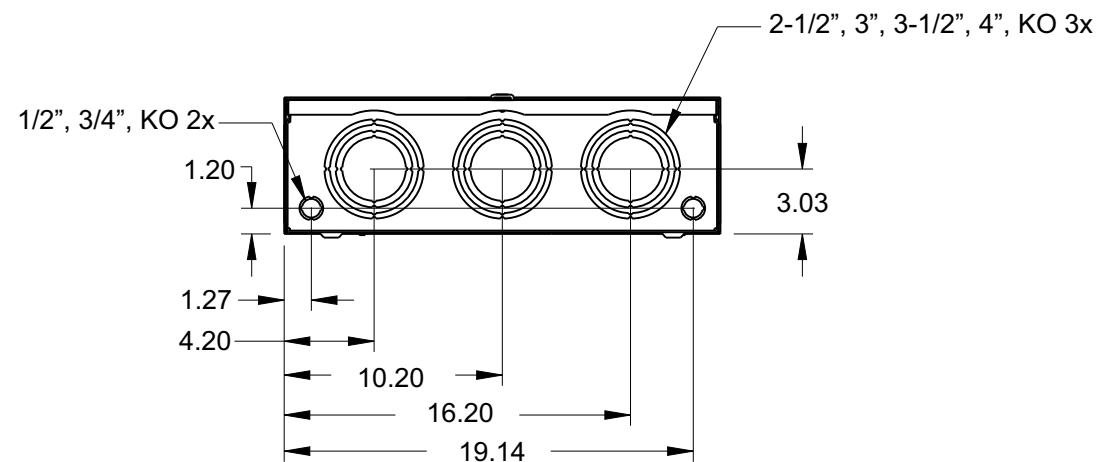
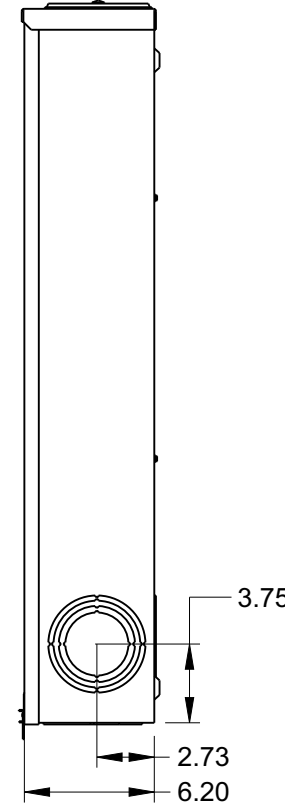
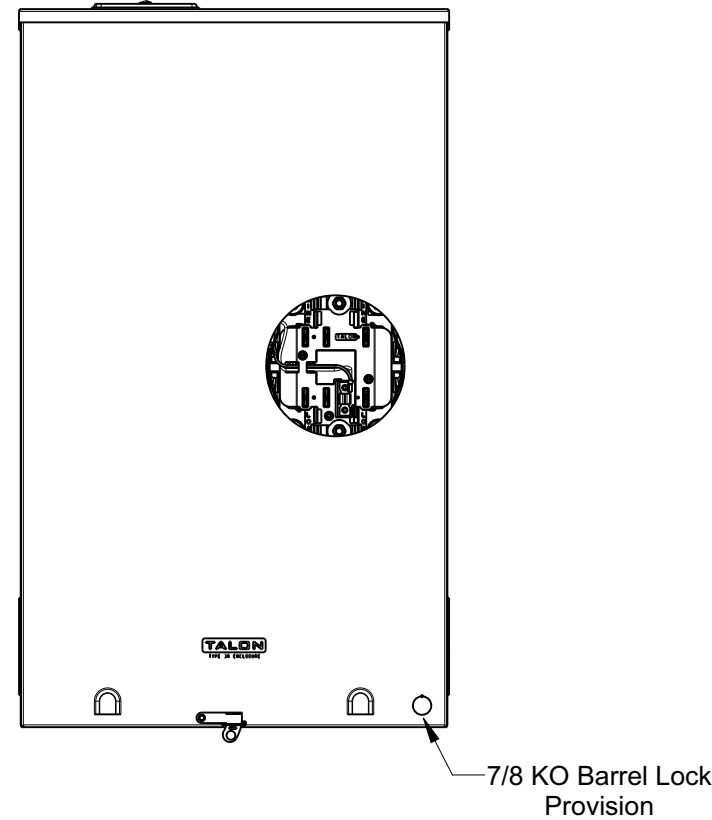
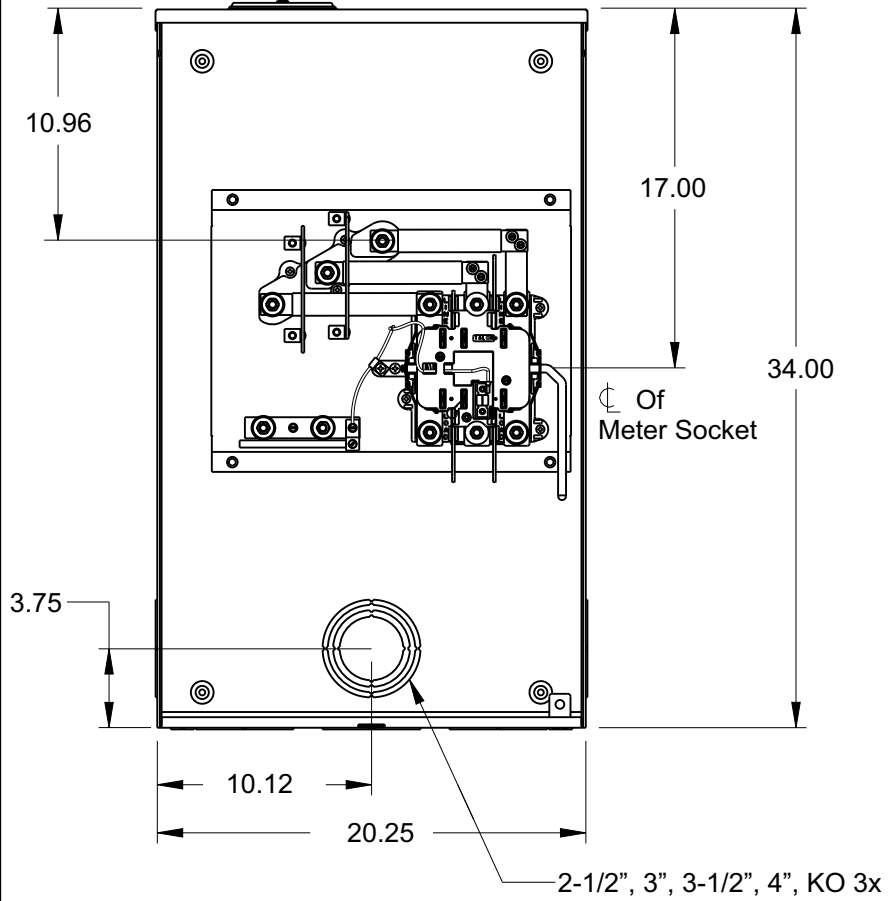
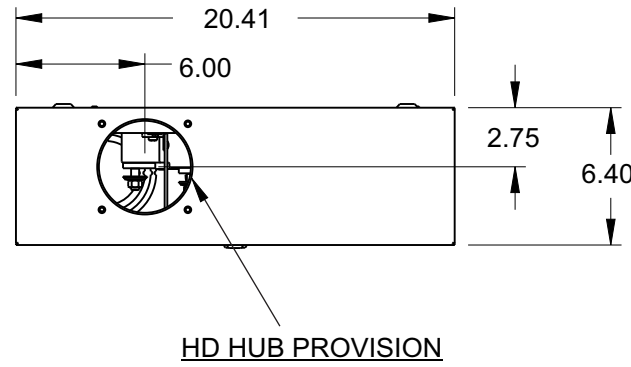


Catalog Number: 48907-02GP

Features and Ratings

- Ringless Type Meter Socket
- 320A Continuous, 400A Max.
- Outdoor Enclosure (NEMA Type 3R)
- Aluminum Enclosure
- 3 Phase, 4 Wire, 600V AC
- 7 Jaw
- HQ Clamp Jaw Lever Bypass Meter Socket
- For Overhead or Underground Service
- HD Hub Opening With Coverplate Installed
- One Ground Lugs
- 7/8" Barrel Lock Provision



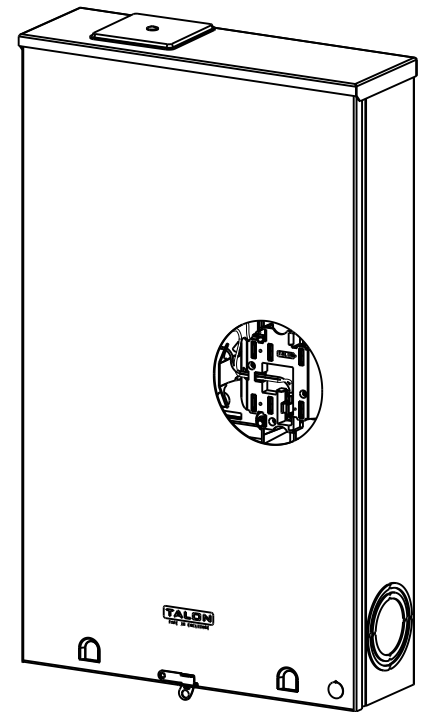
Accessories

- Meter Opening Cover Plate
Cat No: H39968
- HD CONDUIT HUB KITS
Cat No: H56856-2 (3")
Cat No: H56857-2 (3.50")
Cat No: H56858-2 (4")
- HD CONDUIT HUB KITS
Cat No: EC56856 (3")
Cat No: EC56857 (3.50")
Cat No: EC56858 (4")
- HD COVERPLATE
Cat No: H56933
- HD COVERPLATE
Cat No: EC56933S

Lugs, Wire Sizes and Torques

| LOCATION | PART NO. | HEX DRIVE SIZE | WIRE SIZE | TORQUE |
|----------|----------|----------------|---|-----------|
| LINE | H60162 | 1/2" | #4 AWG-600 kcmil (2)#1/0 AWG-250 kcmil | 500 LB-IN |
| LINE | H56476 | 1/2" | #3/0 AWG-800 kcmil | 500 LB-IN |
| LINE | H56732 | 5/16" | (2)#4 AWG-350 kcmil | 275 LB-IN |
| LOAD | H60162 | 1/2" | #4 AWG-600 kcmil (2)#1/0 AWG-250 kcmil | 500 LB-IN |
| LOAD | H56476 | 1/2" | #3/0 AWG-800 kcmil | 500 LB-IN |
| LOAD | H56732 | 5/16" | (2)#6 AWG-350 kcmil | 275 LB-IN |
| NEUTRAL* | H60162 | 1/2" | #4 AWG-600 kcmil (2)#1/0 AWG-250 kcmil | 500 LB-IN |
| NEUTRAL | H56476 | 1/2" | #3/0 AWG-800 kcmil | 500 LB-IN |
| NEUTRAL | H56732 | 5/16" | (2)#6 AWG-350 kcmil | 275 LB-IN |
| GROUND* | 67554A | | #14 - 2/0 AWG | 50 LB-IN |

* indicates factory installed connectors



TALON
Meter Socket

Description:
**320A Cont, 7 Jaw, HQ7SW, 600V AC,
Aluminum Enclosure**