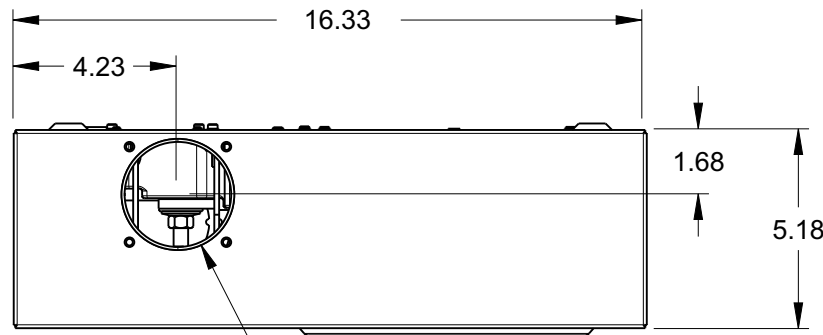


Catalog Number: 41307-02GP

Features and Ratings

- Ringless Type Meter Socket
- 200A Continuous, 250A Max.
- Outdoor Enclosure (NEMA Type 3R)
- Aluminum Enclosure
- 3 Phase, 4 Wire, 600V AC
- 7 Jaw
- HQ Clamp Jaw Lever Bypass Meter Socket
- For Overhead or Underground Service
- RX Hub Opening With Coverplate Installed
- One Ground Lugs
- 7/8" Barrel Lock Provision



RX HUB PROVISION

Accessories

Meter Opening Cover Plate

Cat No: H39968

RX HUB KITS

Cat No: H38597-2 (1.25")

Cat No: H38598-2 (1.50")

Cat No: H38599-2 (2.00")

Cat No: H38600-2 (2.50")

RX HUB KITS

Cat No: EC38597 (1.25")

Cat No: EC38598 (1.50")

Cat No: EC38599 (2.00")

Cat No: EC38600 (2.50")

HUB COVER PLATE

Cat No: H38595-1

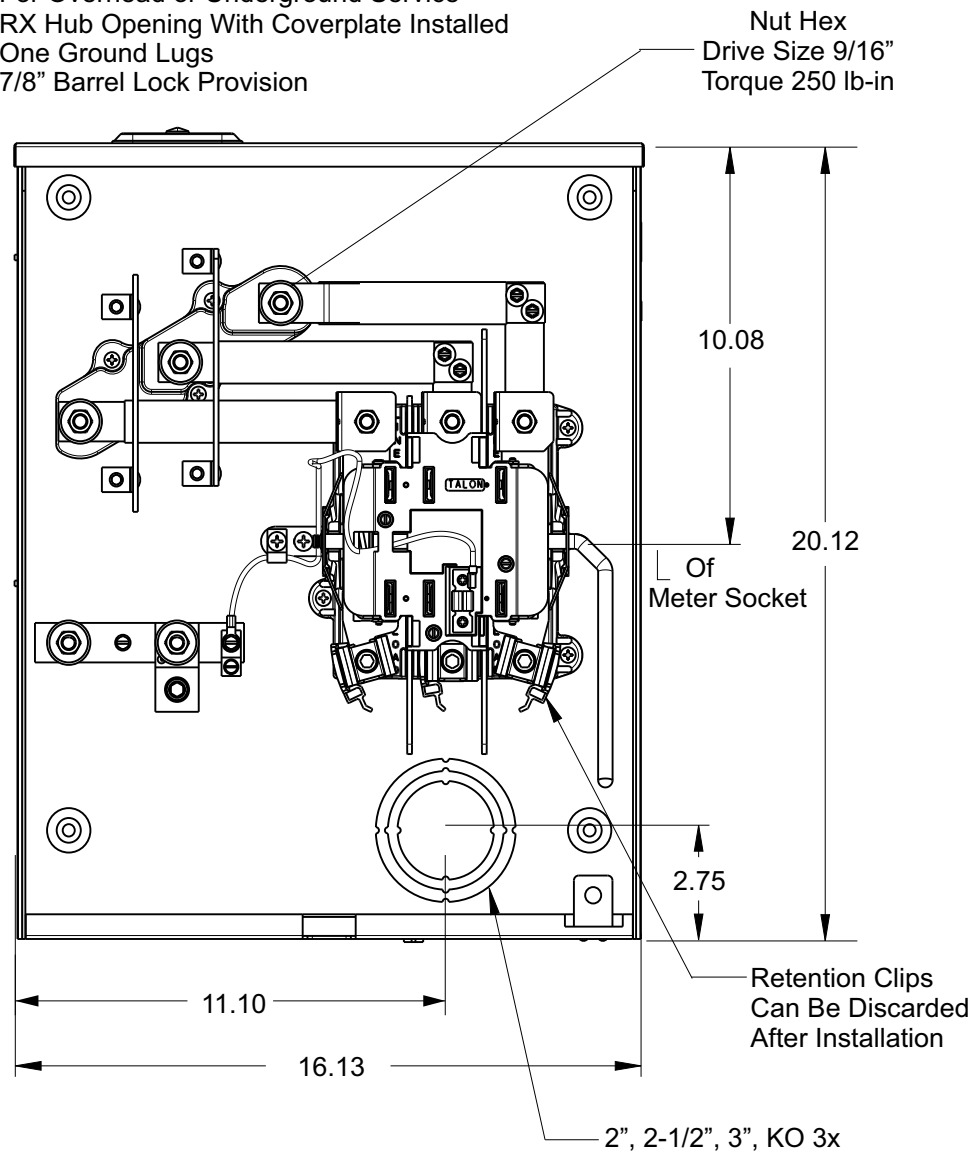
GROUND LUG KIT

H6509991 #14-2 45 LB-IN

Lugs, Wire Sizes and Torques

| LOCATION | PART NO. | HEX DRIVE SIZE | WIRE SIZE | TORQUE |
|----------|----------|---------------------------------|----------------------|-----------|
| LINE | H55890-1 | 9/16 | #6 AWG-350 kcmil | 275 LB-IN |
| LINE | H55890 | 9/16 | #4 AWG-600 kcmil | 325 LB-IN |
| LINE | H58022 | 9/16 | (2) #6 AWG-250 kcmil | 275 LB-IN |
| LOAD* | — | External 1/2" Internal 5/16" | #6 AWG - 350 kcmil | 275 LB-IN |
| NEUTRAL* | H55890-1 | 9/16 | #6 AWG-350 kcmil | 275 LB-IN |
| NEUTRAL | H55890 | 9/16 | #6 AWG-350 kcmil | 325 LB-IN |
| NEUTRAL | H58022 | 9/16 | (2)#6 AWG-250 kcmil | 275 LB-IN |
| GROUND* | 6509991 | | #14 - 2/0 AWG | 40 LB-IN |

* indicates factory installed connectors

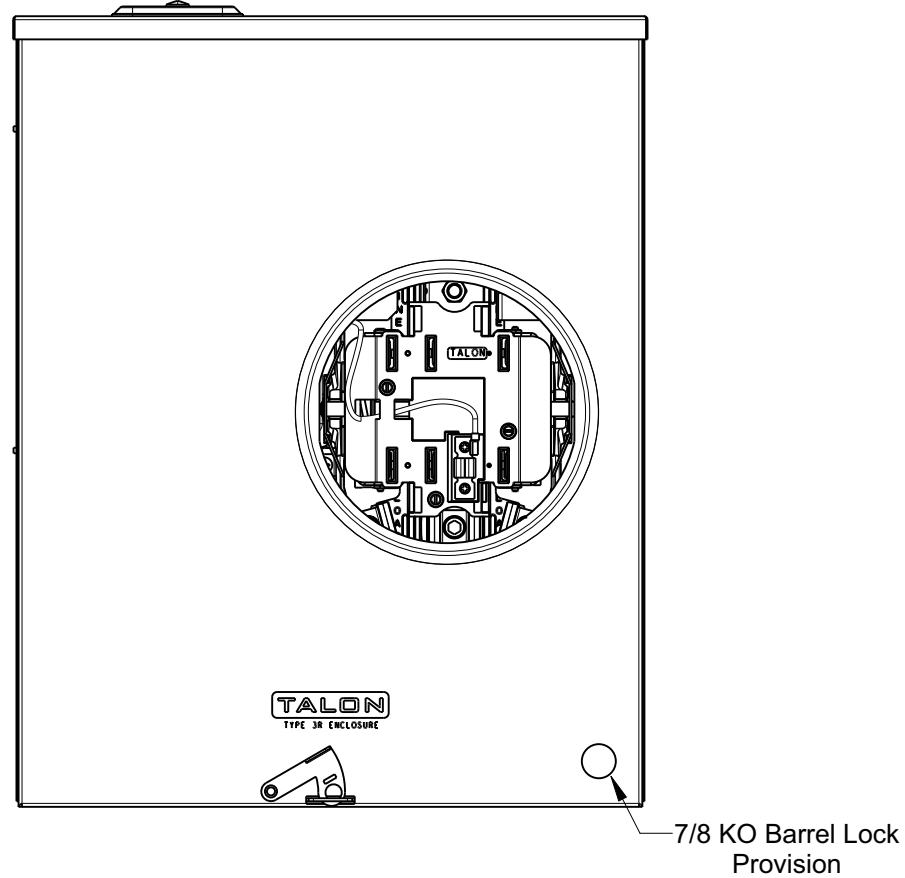


Nut Hex
Drive Size 9/16"
Torque 250 lb-in

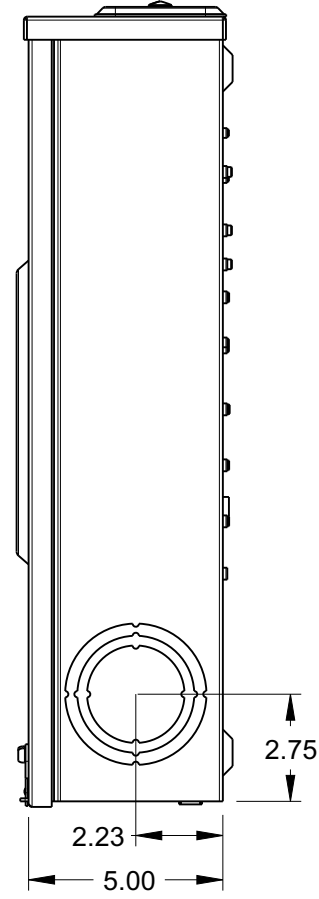
Of
Meter Socket

Retention Clips
Can Be Discarded
After Installation

2", 2-1/2", 3", KO 3x

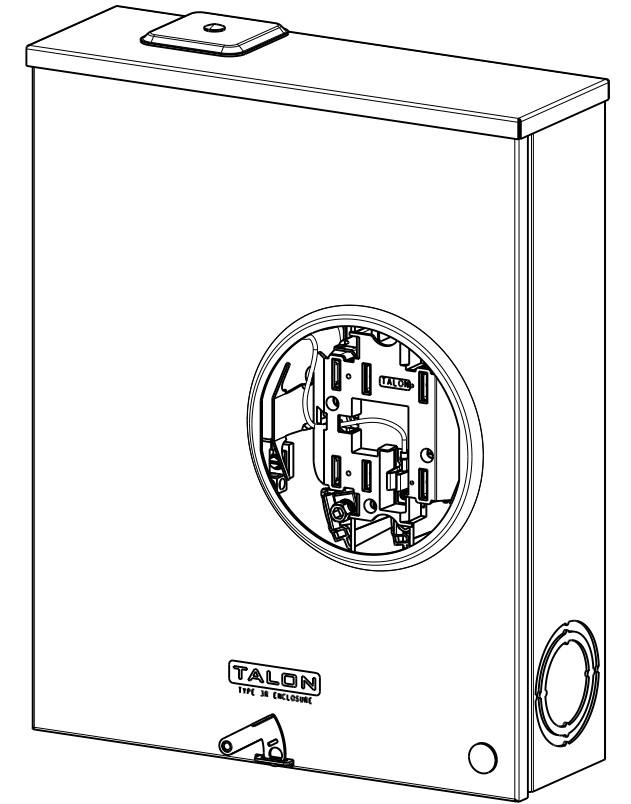
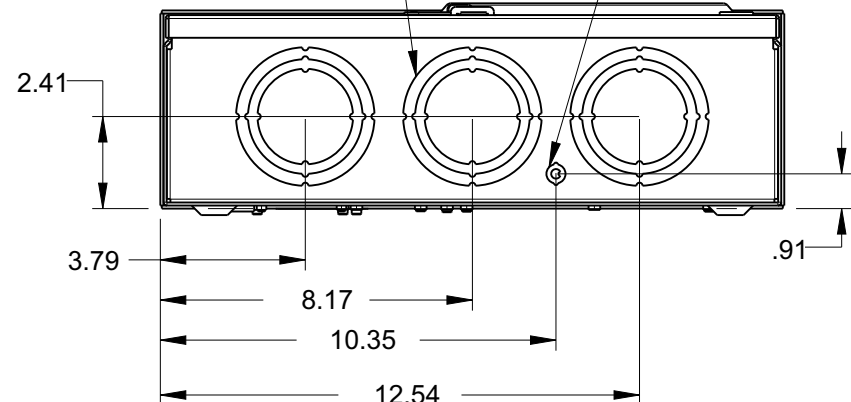


7/8 KO Barrel Lock
Provision



2", 2-1/2", 3", KO 3x

Ø 1/4", 1/2", KO



TALON
Meter Socket

Description:
**200A Cont, 7 Jaw, HQ7, 600V AC,
Aluminum Enclosure**