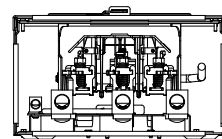
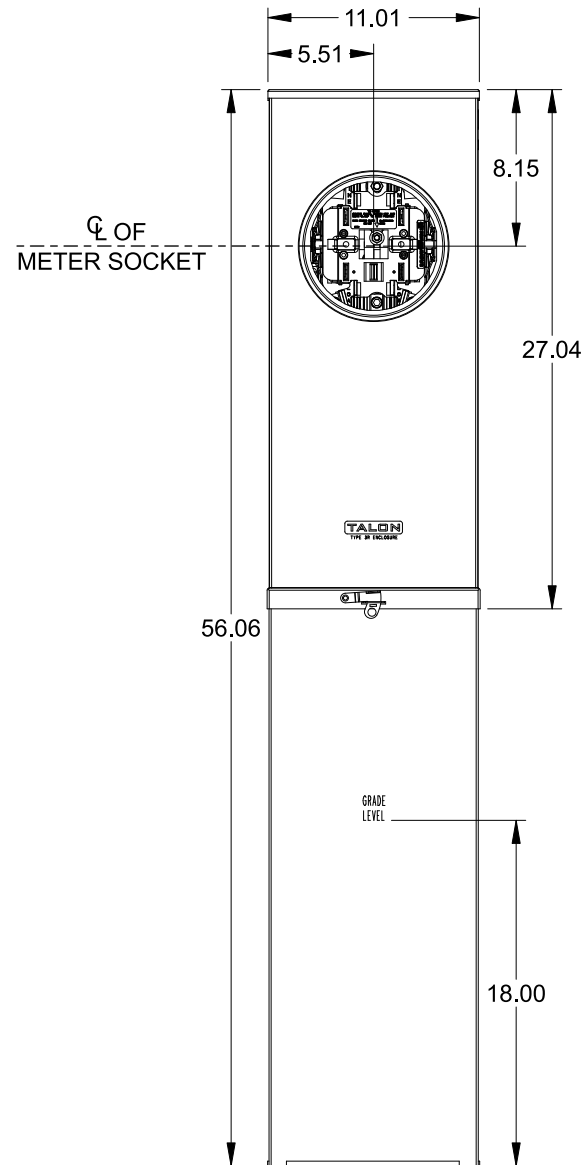
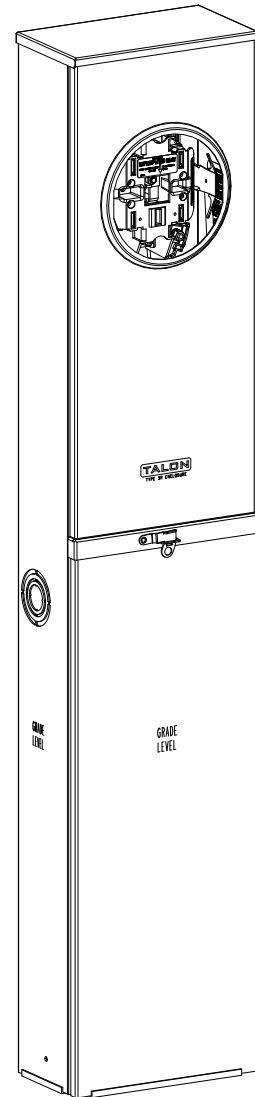
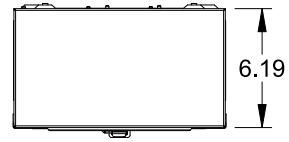


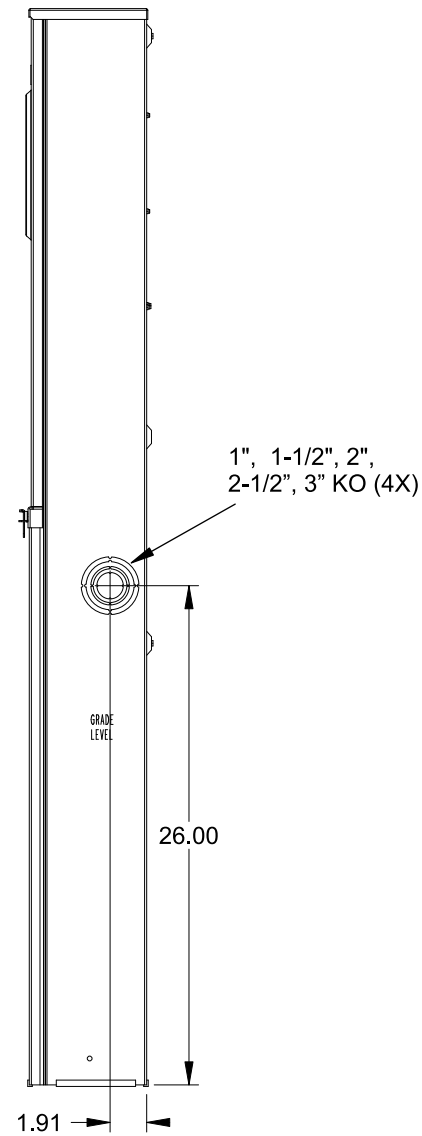
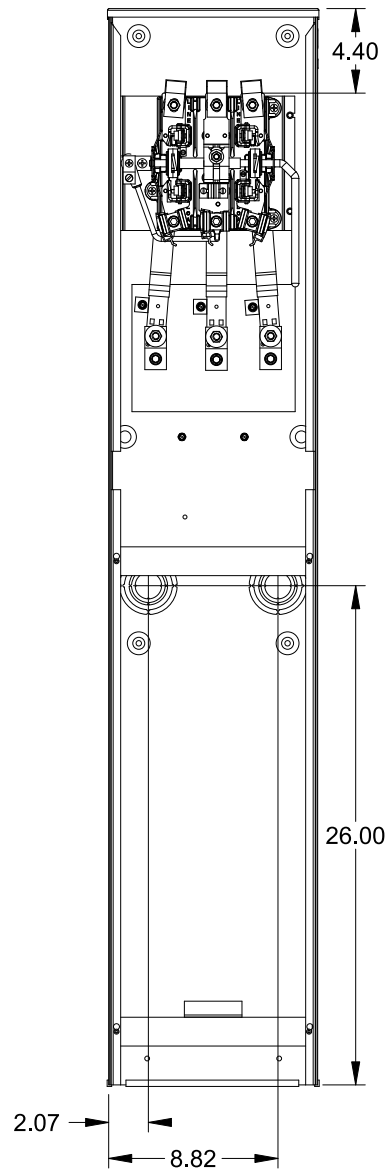
Catalog Number: 40405P-9WI

Features and Ratings

- Ringless Type Meter Socket
- 200A Continuous, 200A Max., 600V AC
- Outdoor Enclosure (NEMA Type 3R)
- Painted Steel Enclosure
- 1 or 3 Phase, 3 Wire Pedestal
- 5 Jaw Meter Socket, 5th Jaw Kit @ 6 o'clock Position
- Meter Socket Type HQ-5-2
- For Underground Service Only
- Lever Bypass



VIEW SHOWN WITH COVER REMOVED



Connectors, Wire Sizes and Torques

CONNECTOR	WIRE SIZE	TORQUE
LINE	#6 - 350 kcmil	200 IN.-LBS.
LOAD *	#6 - 350 kcmil	275 IN.-LBS.
GROUND	#14 - 2/0 AWG	50 IN.-LBS.

* External Hex Drive 1/2"
* Internal Hex Drive 5/16"

© 2015 Copyright Siemens Industry, Inc.

TALON
Meter Socket

Description: **200A Cont, 5 Jaw, HQ-5-2, 600V AC, Painted Steel Enclosure, Pedestal**

JEL 8/30/15 DO NOT SCALE DRAWING Dwg No: **40405P-9WI**