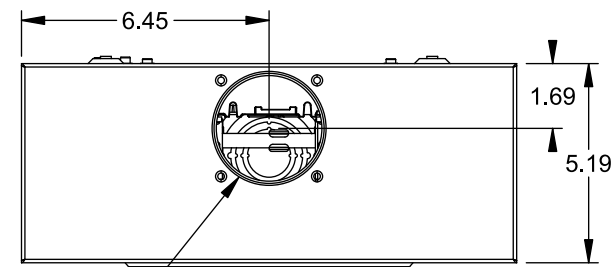


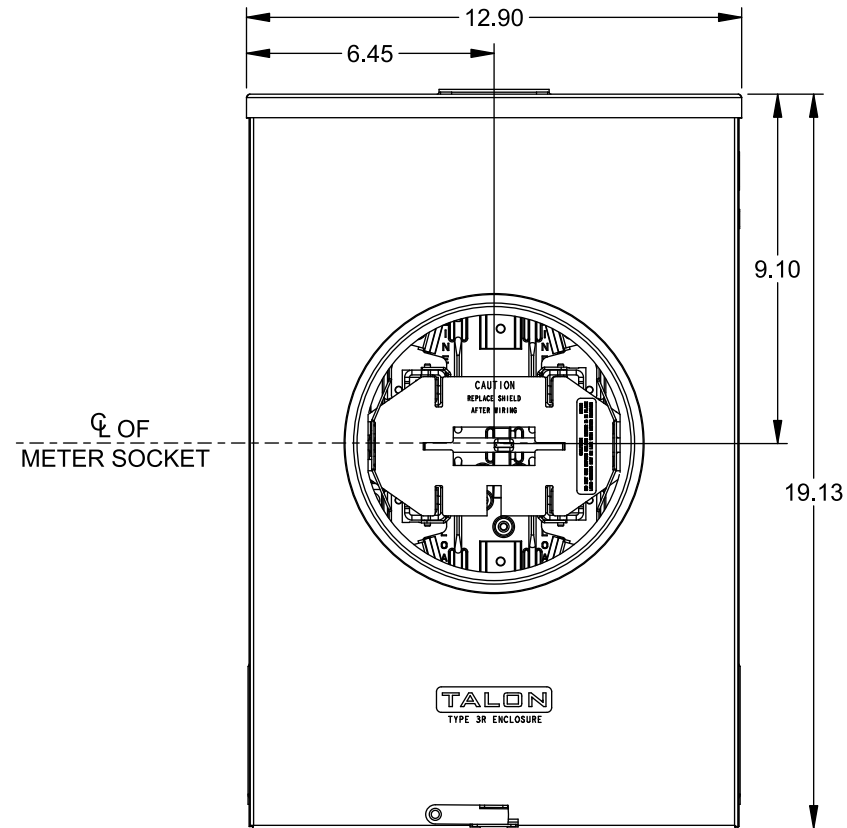
**Catalog Number: 40404-0150**

**Features and Ratings**

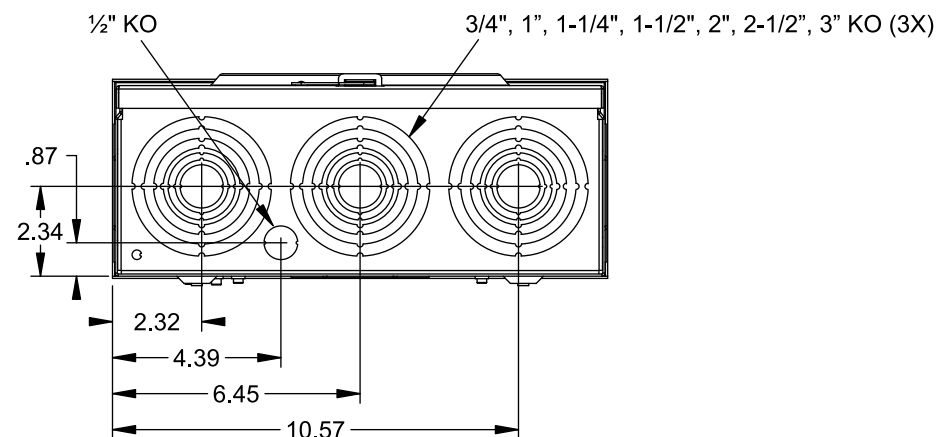
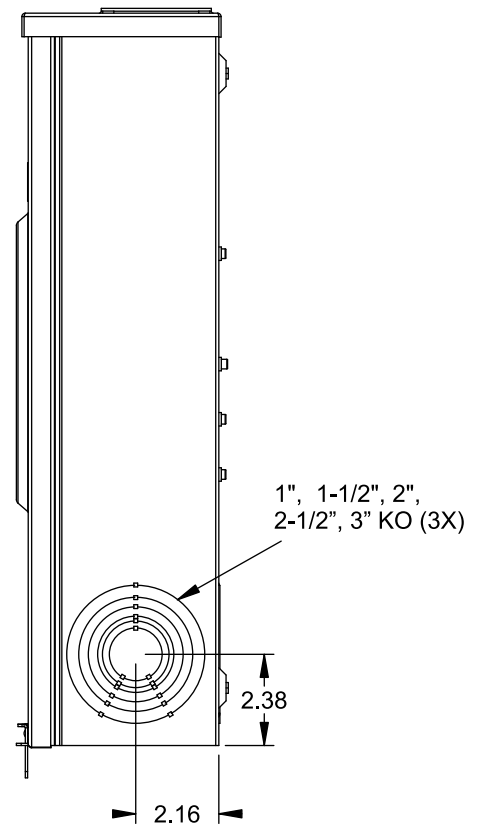
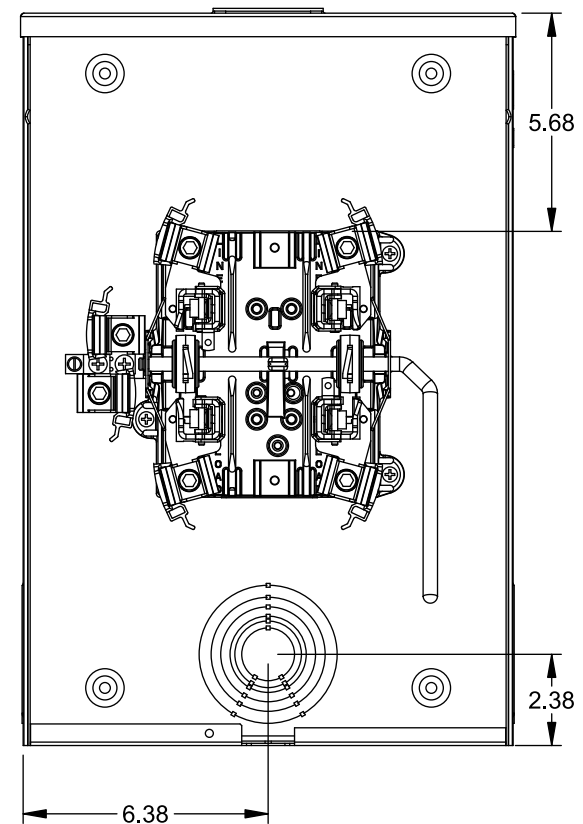
- Ringless Type Meter Socket
- 200A Continuous, 200A Max., 600V AC
- Outdoor Enclosure (NEMA Type 3R)
- Painted Steel Enclosure
- 1 Phase, 3-Wire, 600VAC
- 4 Jaw Meter Socket
- Meter Socket Type HQ-4GU
- For Overhead & Underground Service
- RX Type Hub Opening
- Lever Bypass
- One Ground Lug Installed



TYPE RX (SMALL) HUB OPENING



VIEW SHOWN WITH COVER REMOVED



**Accessories**

CONDUIT HUBS (RX Type)	
TRADE SIZE	CATALOG No.
1-1/4 INCH	EC38597 or H38597-2
1-1/2 INCH	EC38598 or H38598-2
2 INCH	EC38599 or H38599-2
2-1/2 INCH	EC38600 or H38600-2

Hub Cover Plate EC38595 or H38595-1

Meter Opening Cover Plate

Cat No: H659-0162

5th Jaw Kit @ 9 o'clock Position

Cat. No: EC35815-2

**Connectors, Wire Sizes and Torques**

CONNECTOR	WIRE SIZE	TORQUE
LINE, LOAD, NEUTRAL*	#6 - 350 kcmil	275 IN.-LBS.
GROUND	#14 - 2 AWG	45 IN.-LBS.

\* External Hex Drive 1/2"

\* Internal Hex Drive 5/16"

© 2015 Copyright Siemens Industry, Inc.

**TALON**  
**Meter Socket**

Description: **200A Cont, 4 Jaw, HG-4GU, 600V AC, Painted Steel Enclosure**

JEL 7/30/15 | DO NOT SCALE DRAWING | Dwg No: **40404-0150**