

# Catalog Number: UAT121-PBCO

## Features and Ratings

- Ring Type Meter Socket
- 135A Continuous, 135A Max., 600V AC
- Outdoor Enclosure (NEMA Type 3R)
- Painted Steel Enclosure
- 1 Phase, 3 Wire
- 5 Jaw Meter Socket, 5th Jaw Kit @ 9 o'clock Position
- Meter Socket Type UAT1
- For Underground Service Only

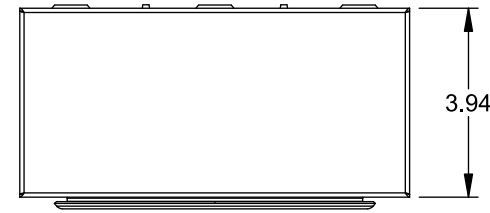
## Accessories

Meter Opening Cover Plate  
 Cat No: H659-0162  
 5th Jaw Kit  
 Cat. No: EC659-0121

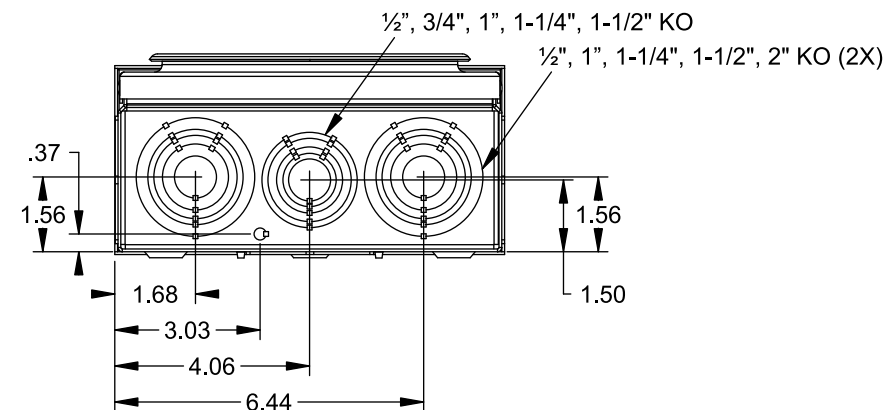
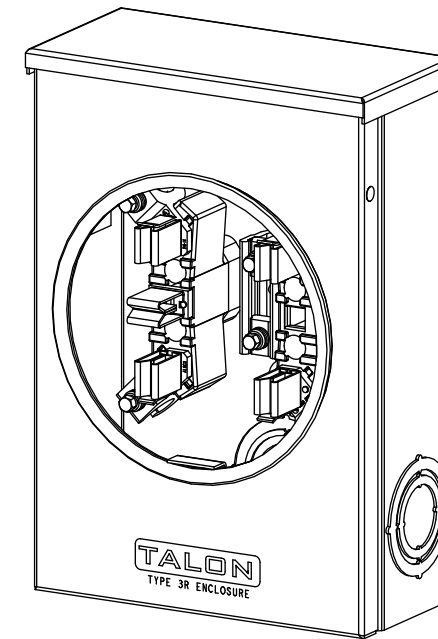
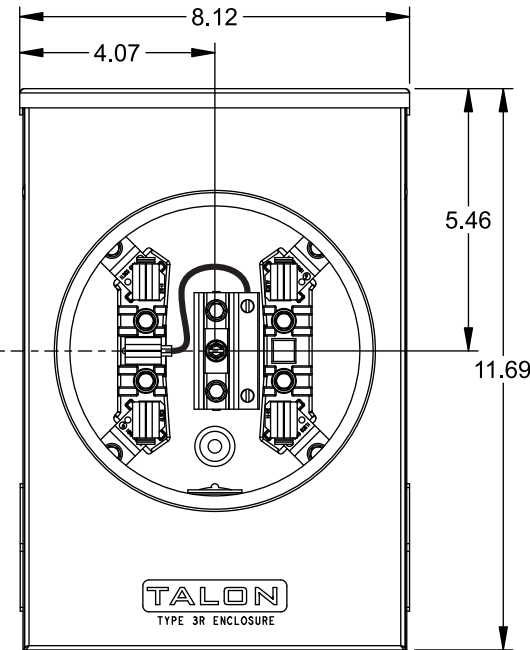
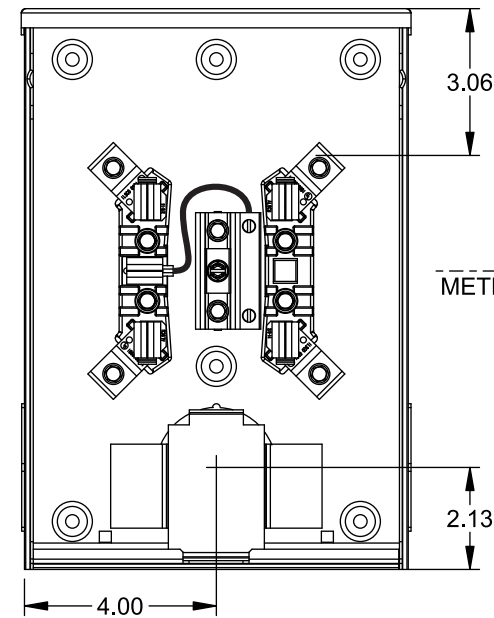
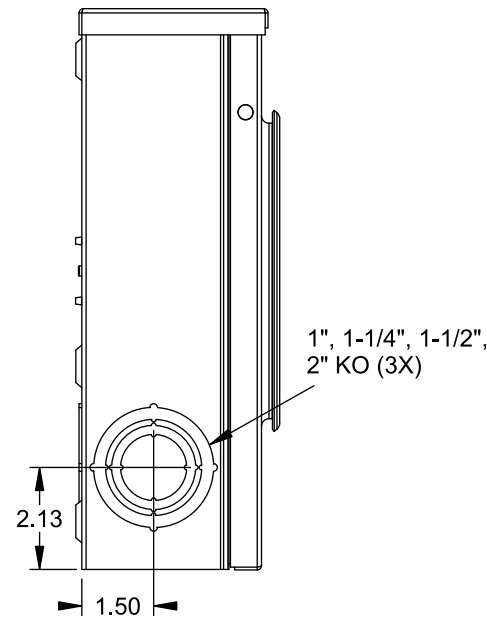
## Connectors, Wire Sizes and Torques

| CONNECTOR            | WIRE SIZE    | TORQUE      |
|----------------------|--------------|-------------|
| LINE, LOAD, NEUTRAL* | 2/0 - 14 AWG | 50 IN.-LBS. |
| GROUND               | #2 - 14 AWG  | 50 IN.-LBS. |

\* External Hex Drive 5/16"



VIEW SHOWN WITH COVER REMOVED



© 2015 Copyright Siemens Industry, Inc.

**TALON**  
**Meter Socket**

Description: **135A Cont, 5 Jaw, UAT1, 600V AC, Painted Steel Enclosure**

JEL 8/30/15 | DO NOT SCALE DRAWING | Dwg No: **UAT121-PBCO**