

Catalog Number: UAT111-0PGP

Features and Ratings

- Ringless Type Meter Socket
- 135A Continuous, 135A Max., 600V AC
- Outdoor Enclosure (NEMA Type 3R)
- Painted Steel Enclosure
- 1 Phase, 3 Wire
- 4 Jaw Meter Socket
- Meter Socket Type UAT1
- For Overhead & Underground Service
- RX Type Hub Opening
- Horn Bypass
- 7/8" Barrel Lock Provision w/Bracket

Accessories

| CONDUIT HUBS (RX Type) | |
|------------------------|---------------------|
| TRADE SIZE | CATALOG No. |
| 1-1/4 INCH | EC38597 or H38597-2 |
| 1-1/2 INCH | EC38598 or H38598-2 |
| 2 INCH | EC38599 or H38599-2 |
| 2-1/2 INCH | EC38600 or H38600-2 |

Hub Cover Plate EC38595 or H38595-1

Meter Opening Cover Plate

Cat No: H659-0162

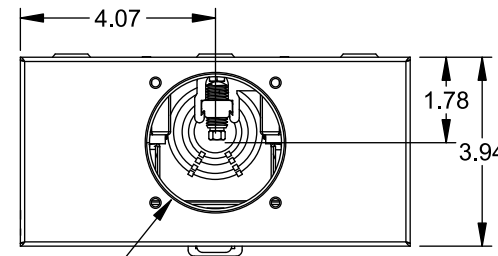
5th Jaw Kit

Cat. No: EC659-0121

Connectors, Wire Sizes and Torques

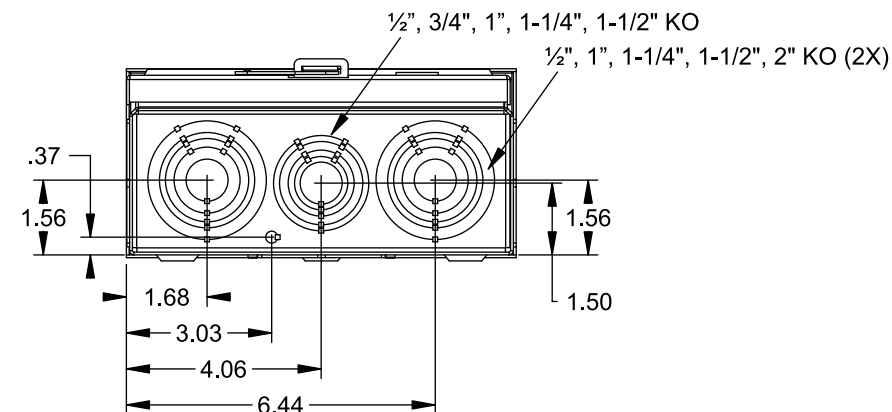
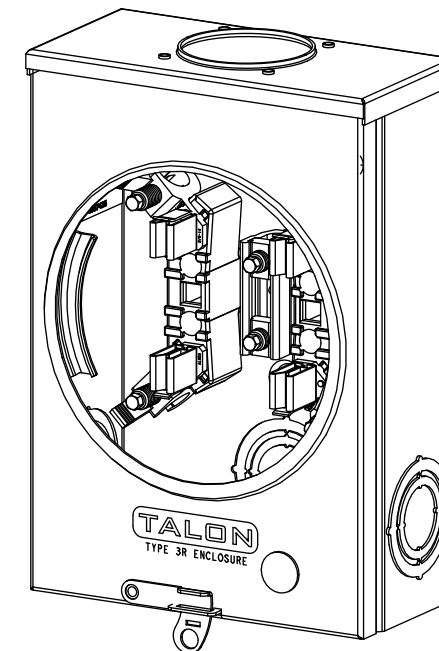
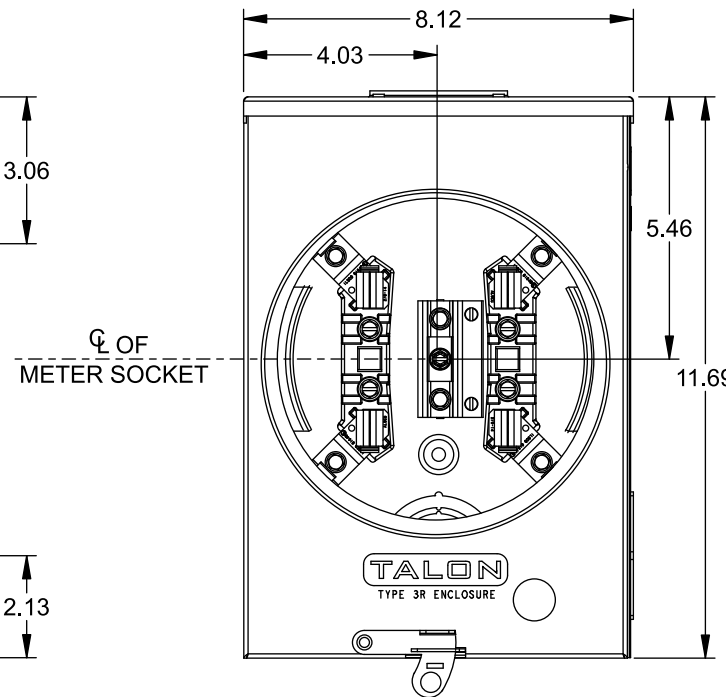
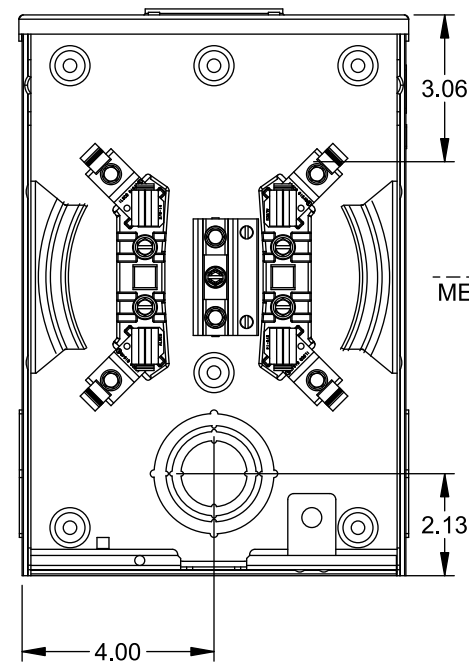
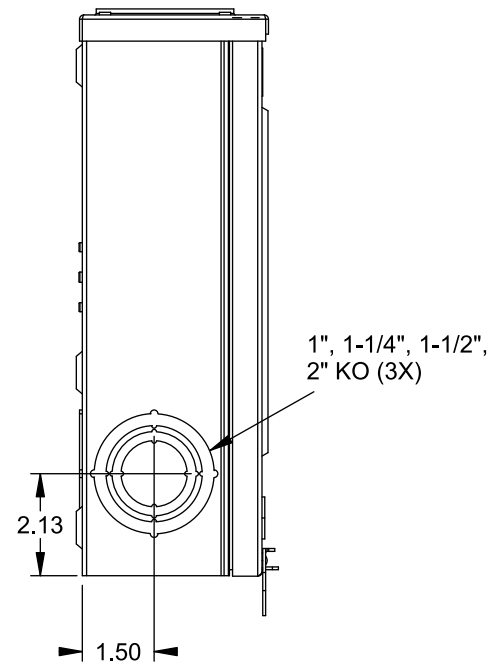
| CONNECTOR | WIRE SIZE | TORQUE |
|----------------------|--------------|-------------|
| LINE, LOAD, NEUTRAL* | 2/0 - 14 AWG | 50 IN.-LBS. |
| GROUND | #2 - 14 AWG | 50 IN.-LBS. |

* External Hex Drive 5/16"



TYPE RX (SMALL) HUB OPENING

VIEW SHOWN WITH COVER REMOVED



© 2015 Copyright Siemens Industry, Inc.

TALON

Meter Socket

Description: **135A Cont, 4 Jaw, UAT1, 600V AC, Painted Steel Enclosure**

JEL 8/30/15 DO NOT SCALE DRAWING Dwg No: **UAT111-0PGP**