

Catalog Number: UAT111-0GF

Features and Ratings

- Ringless Type Meter Socket
- 135A Continuous, 135A Max., 600V AC
- Outdoor Enclosure (NEMA Type 3R)
- Painted Steel Enclosure
- 1 Phase, 3 Wire
- 4 Jaw Meter Socket
- Meter Socket Type UAT1
- For Overhead & Underground Service
- RX Type Hub Opening

Accessories

CONDUIT HUBS (RX Type)	
TRADE SIZE	CATALOG No.
1-1/4 INCH	EC38597 or H38597-2
1-1/2 INCH	EC38598 or H38598-2
2 INCH	EC38599 or H38599-2
2-1/2 INCH	EC38600 or H38600-2

Hub Cover Plate EC38595 or H38595-1

Meter Opening Cover Plate

Cat No: H659-0162

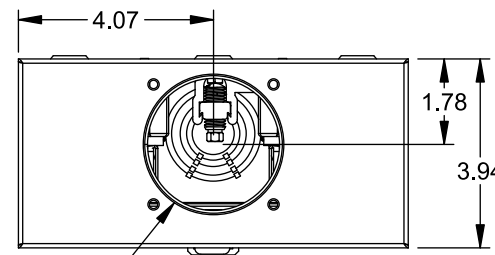
5th Jaw Kit

Cat. No: EC659-0121

Connectors, Wire Sizes and Torques

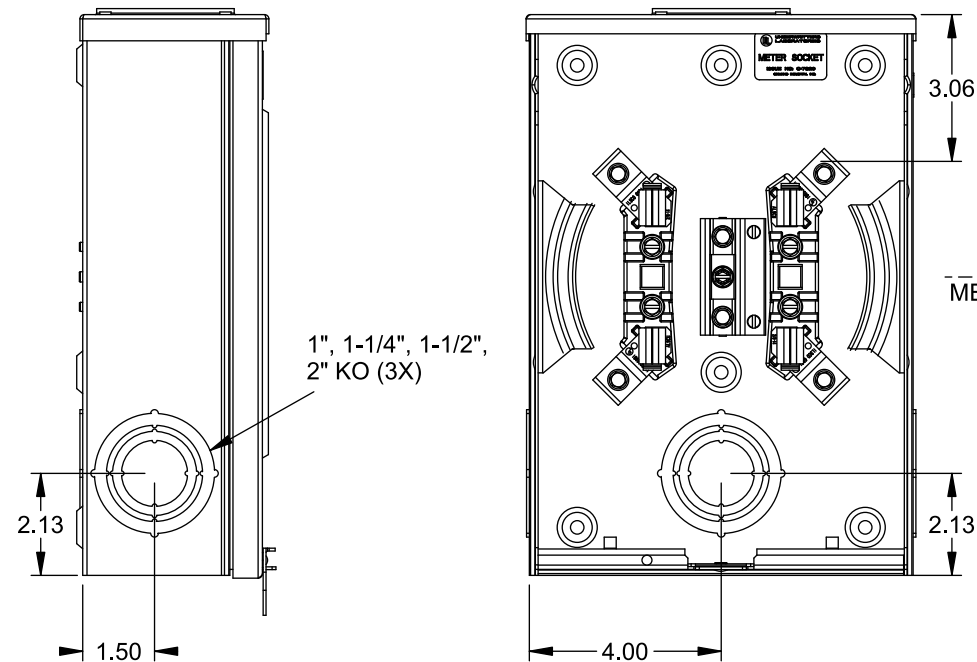
CONNECTOR	WIRE SIZE	TORQUE
LINE, LOAD, NEUTRAL*	2/0 - 14 AWG	50 IN.-LBS.
GROUND	#2 - 14 AWG	50 IN.-LBS.

* External Hex Drive 5/16"

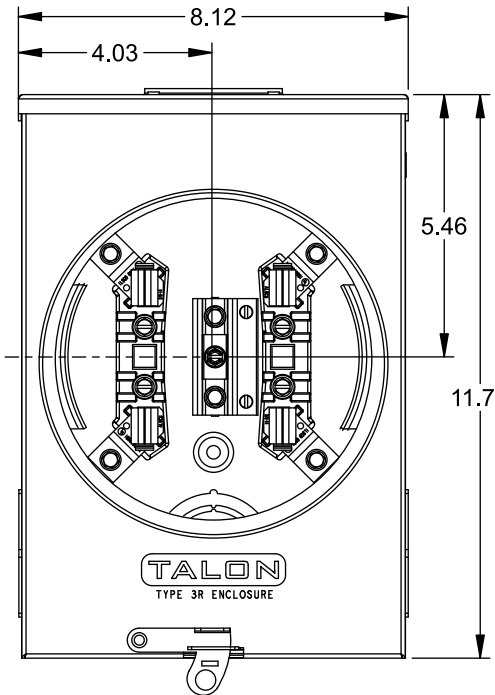


TYPE RX (SMALL) HUB OPENING

VIEW SHOWN WITH COVER REMOVED

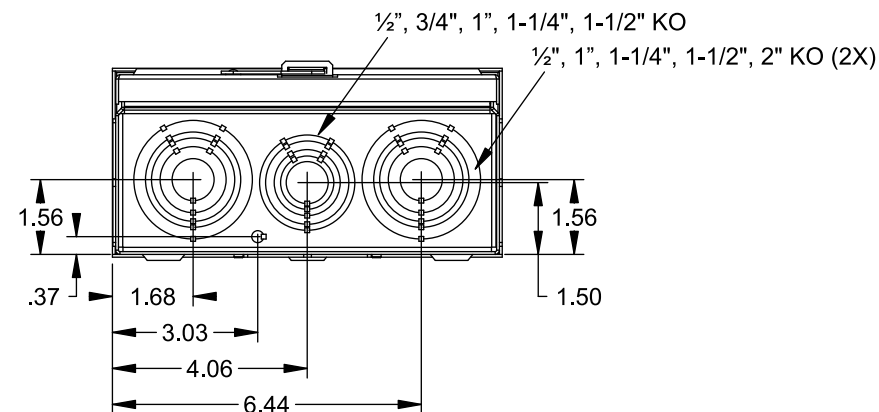
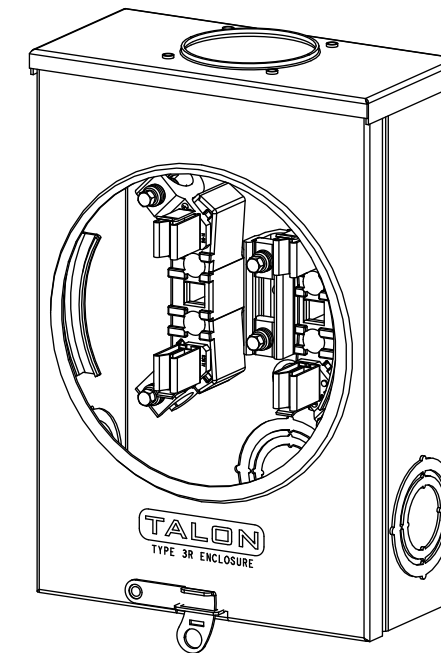


1", 1-1/4", 1-1/2",
2" KO (3X)



CL OF
METER SOCKET

TALON
TYPE 3R ENCLOSURE



1/2", 3/4", 1", 1-1/4", 1-1/2" KO

1/2", 1", 1-1/4", 1-1/2", 2" KO (2X)

© 2015 Copyright Siemens Industry, Inc.

TALON

Meter Socket

Description: **135A Cont, 4 Jaw, UAT1,
600V AC, Painted Steel Enclosure**

JEL 8/30/15 DO NOT SCALE DRAWING Dwg No: **UAT111-0GF**