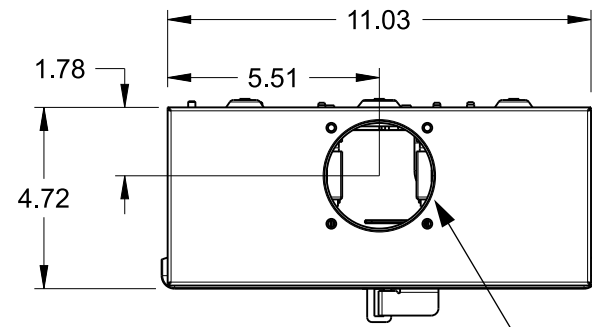


# Catalog Number: UAB111-XG

## Features and Ratings

- Ringless Meter Cover
- 1 Phase, 3 Wire, 240 VAC
- Painted G90 Steel
- 100A Breaker Factory Installed
- Meter Socket Rating: 100A Continuous
- 4 Jaw Meter Socket, Ringless Type Meter Cover
- 10,000 AIC Max. Rated (See Wiring Diagram for Details)
- For Overhead or Underground Service
- RX Type Hubs on Top End Wall



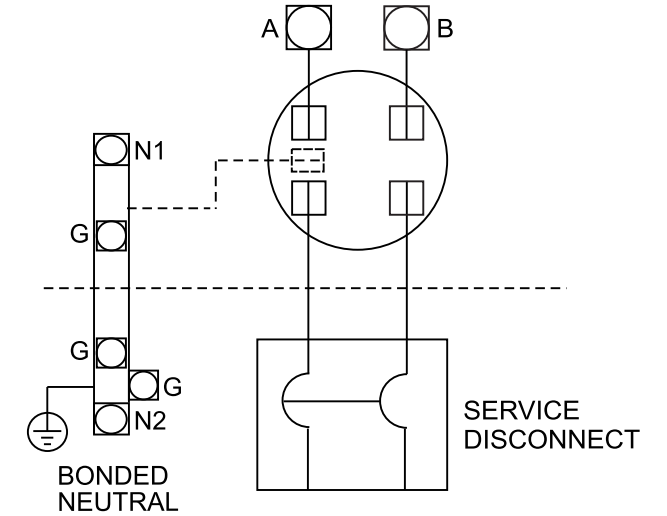
TYPE RX (SMALL) HUB PROVISION  
COVERPLATE INSTALLED (NOT SHOWN)

## Accessories

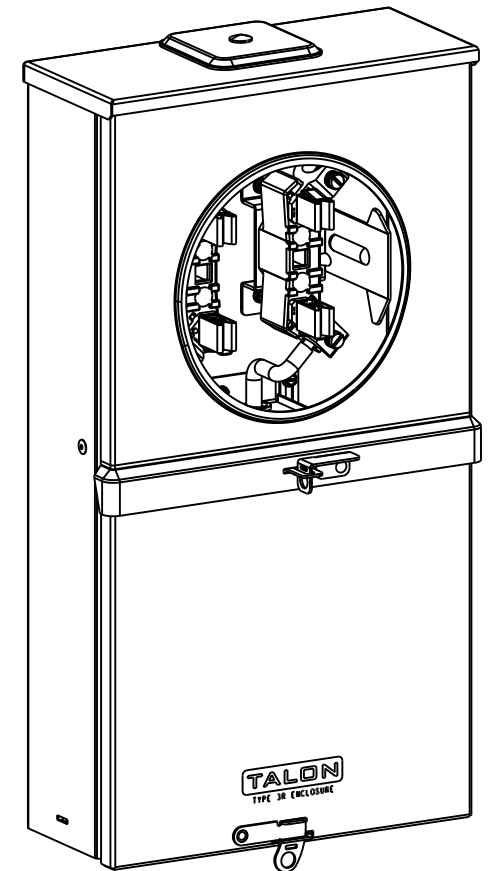
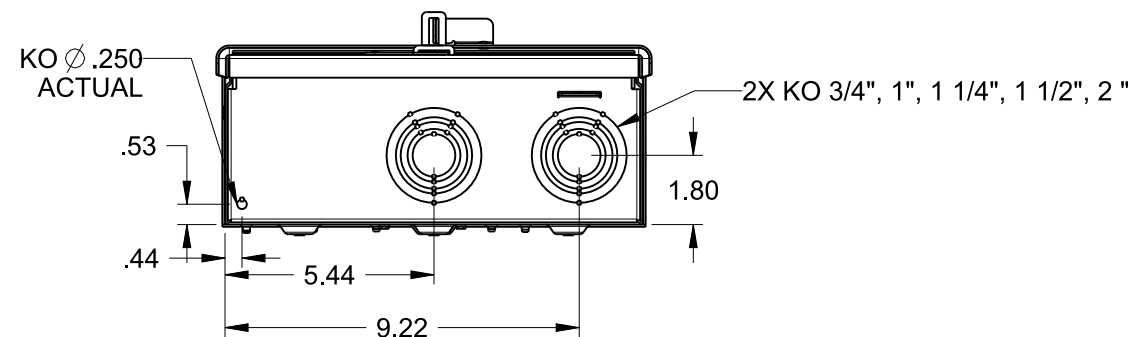
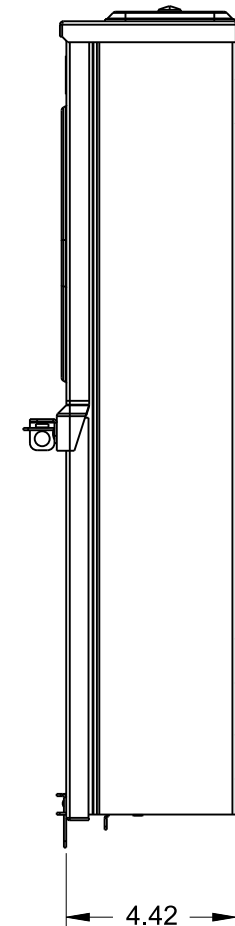
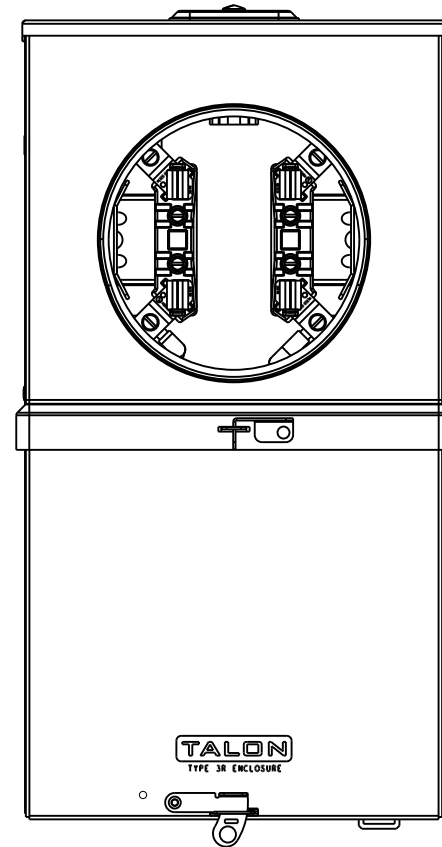
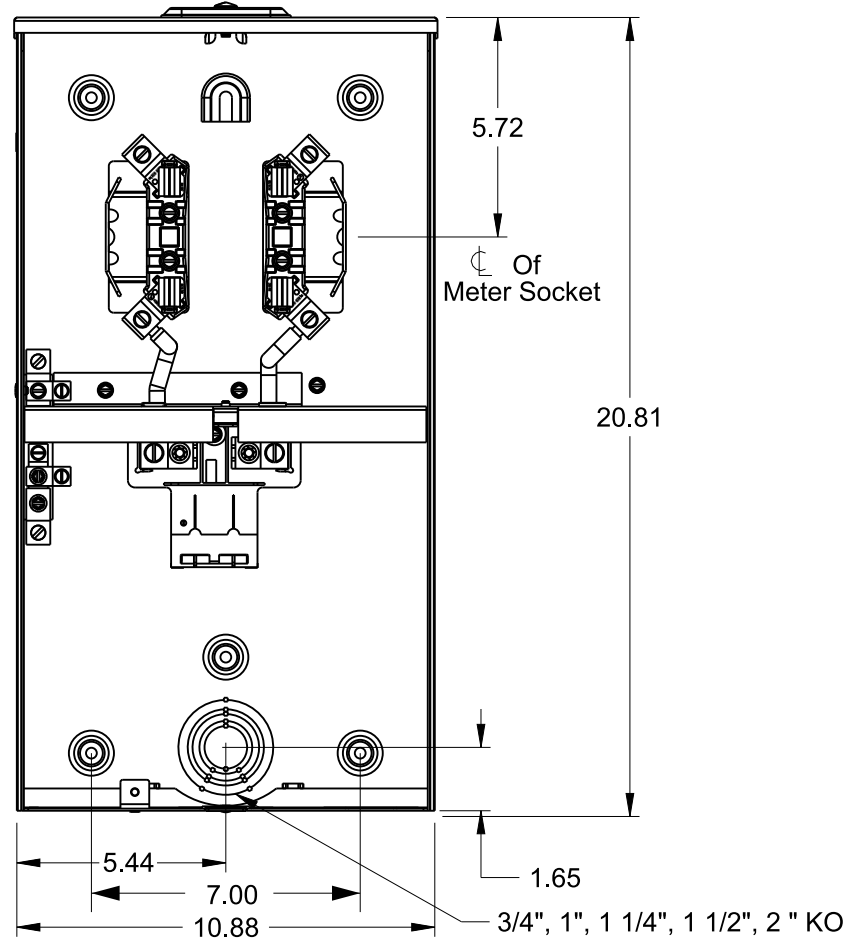
### TYPE RX HUBS

Trade size (in)	Catalog number
1 1/4"	EC38597 or H38597-2
1 1/2"	EC38598 or H38598-2
2"	EC38599 or H38599-2
2 1/2"	EC38600 or H38600-2
Closure plate...	EC38595 or H38595-1

## Schematic, Torques & Wire Sizes



Terminal	Wire Size	Torque
A, B, N1 & N2	#14-2/0 AWG	50 lb-in
G	#14-2 AWG	50 lb-in



Siemens Industry, Inc.

**Meter/Breaker Combination**

Description:  
**100A, OH/UG, Ringless,  
Painted G90 Steel**