

Catalog Number: UA2716-XG

Features and Ratings

- Ringless Type Meter Socket
- 200A Continuous, 200A Overall, 600V AC
- Outdoor Enclosure (NEMA Type 3R)
- Painted G90 Steel Enclosure
- 1 Phase, 3 Wire
- 4 Jaw Meter Socket, No Bypass
- Meter Socket Type A14, 2 Position
- Overhead or Underground Service
- Ground Lug Included
- HD (Large) Type Hub Opening and RX (Small) Type Hub Opening w/Coverplate

Accessories

Meter Opening Cover Plate
Cat No: H659-0162

5th Jaw Kit
Cat. No: 659-0121

CONDUIT HUBS (RX Type)		
TRADE SIZE	CATALOG No.	
1-1/4 INCH	EC38597 or H38597-2	
1-1/2 INCH	EC38598 or H38598-2	
2 INCH	EC38599 or H38599-2	
2-1/2 INCH	EC38600 or H38600-2	
Hub Cover Plate	EC38595 or H38595-1	

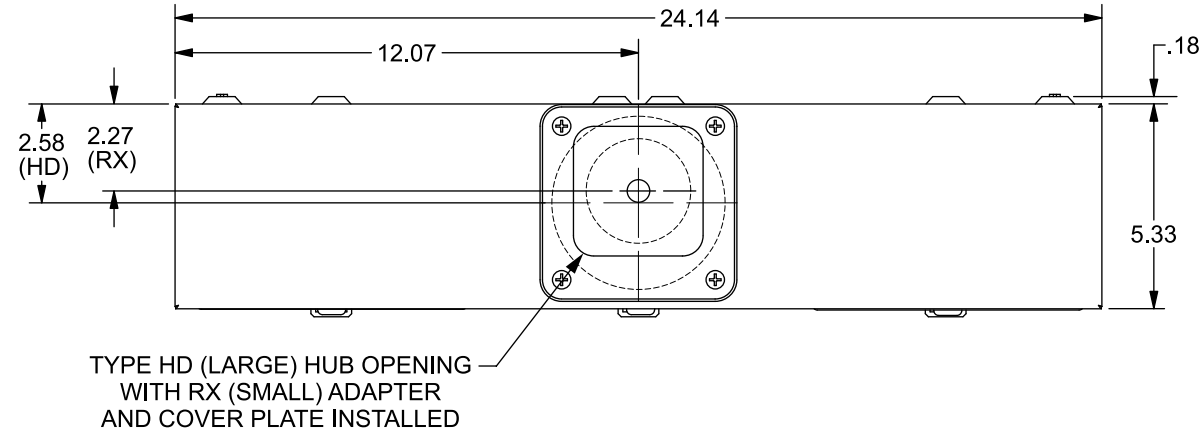
CONDUIT HUBS (HD Type)		
TRADE SIZE	CATALOG No.	
3 INCH	EC56856 or H56856-2	
3-1/2 INCH	EC56857 or H56857-2	
4 INCH	EC56858 or H56858-2	
Hub Cover Plate	EC56933 or H56933S	

Connectors, Wire Sizes and Torques

CONNECTOR	WIRE SIZE	TORQUE
LINE, LOAD	#6 - 350 kcmil	250 IN.-LBS.
GROUND	#14 - 2 AWG (CU)	50 IN.-LBS.

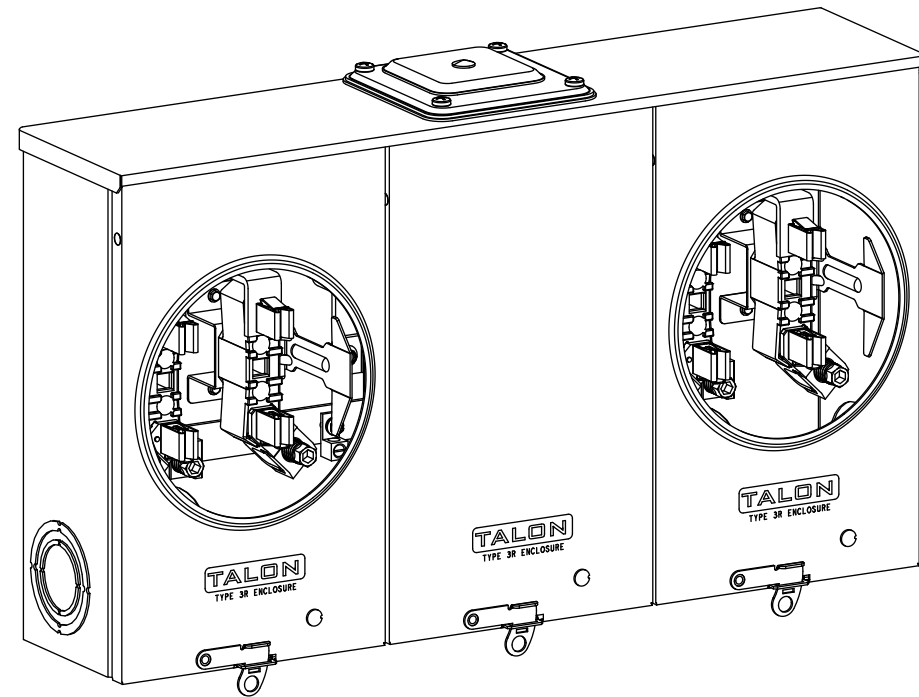
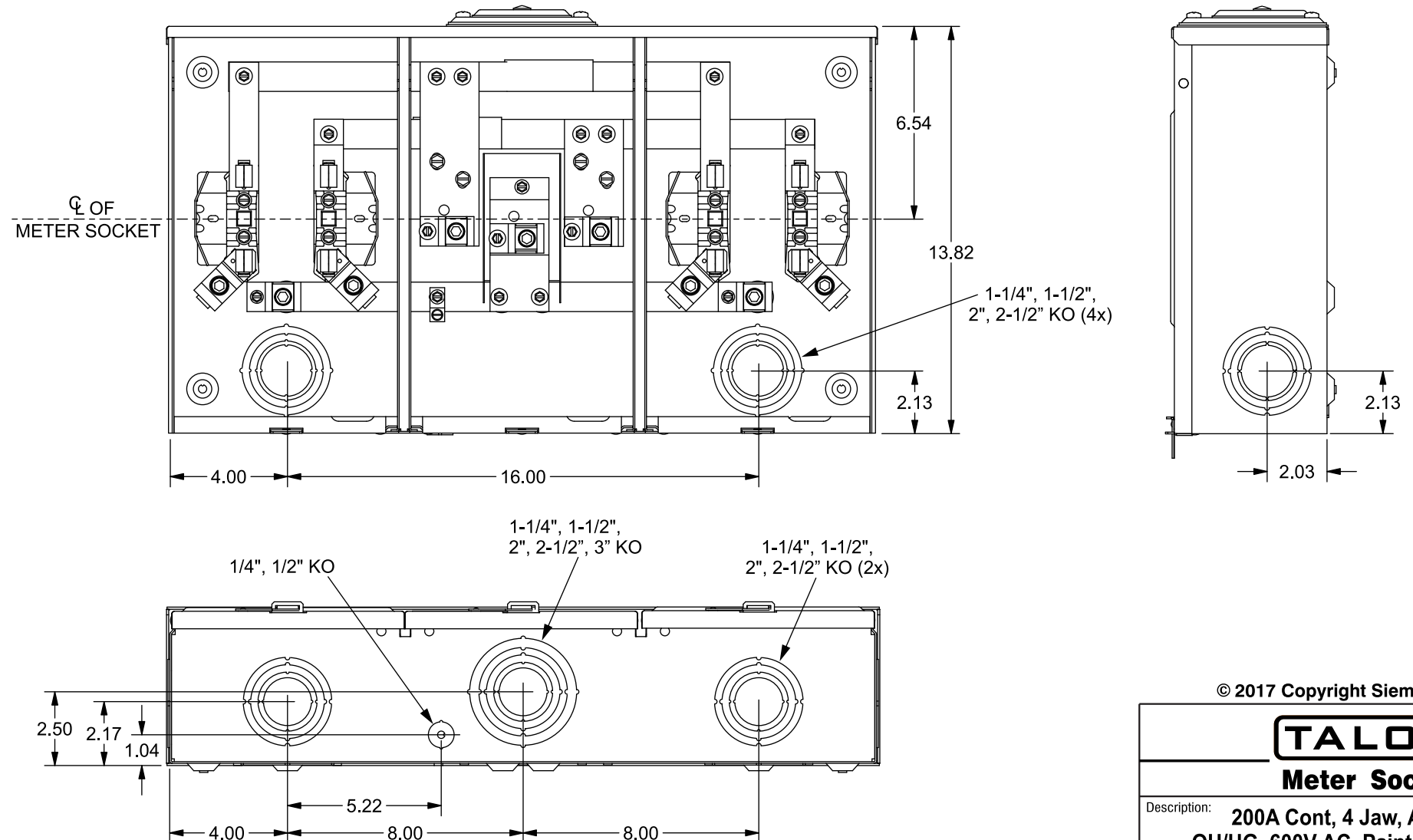
* External Hex Drive 1/2"
* Internal Hex Drive 5/16"

WIRE BENDING SPACE PROVIDED FOR 350 kcmil WIRE



TYPE HD (LARGE) HUB OPENING WITH RX (SMALL) ADAPTER AND COVER PLATE INSTALLED

VIEW SHOWN WITH COVERS REMOVED



© 2017 Copyright Siemens Industry, Inc.

TALON
Meter Socket

Description: **200A Cont, 4 Jaw, A14 2-Position, OH/UG, 600V AC, Painted Steel Enclosure**

KAM 2/8/17 DO NOT SCALE DRAWING Dwg No: **UA2716-XG**