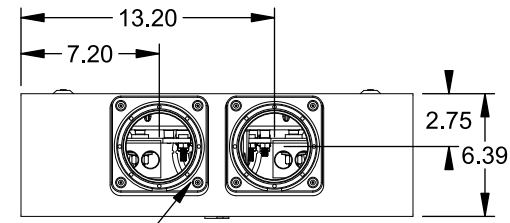


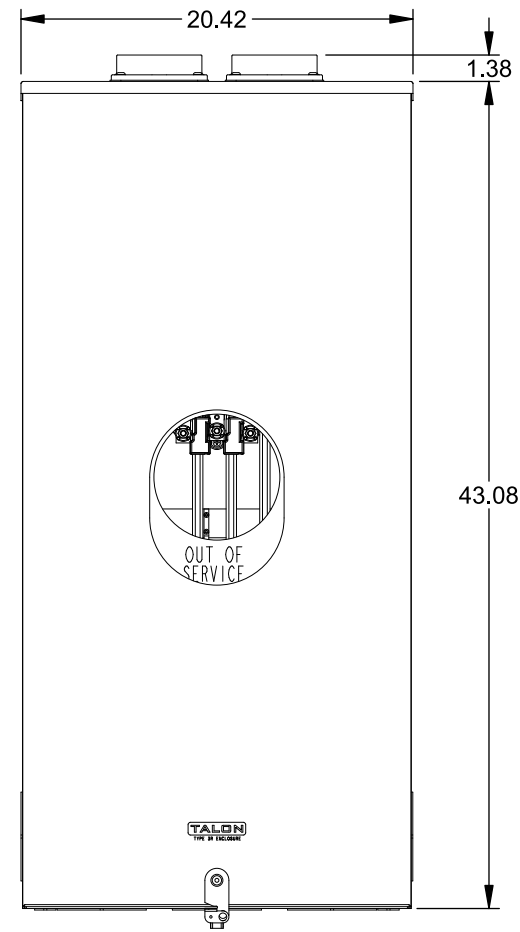
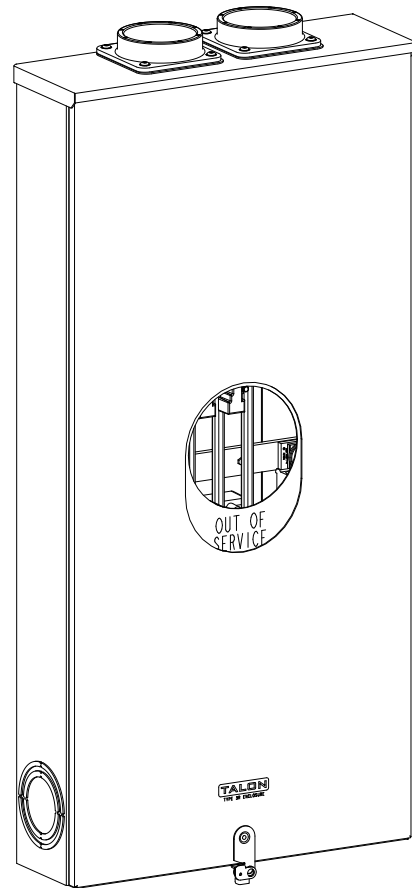
Catalog Number: 9817-9510

Features and Ratings

- Ringless Type Meter Socket
- 480A Continuous, 600A Max., 600V AC
- Outdoor Enclosure (NEMA Type 3R)
- Painted G90 Steel Enclosure
- 3 Phase, Commercial/Industrial Socket
- Meter Socket Type K-7T
- For Overhead & Underground Service
- (2) Large Hub Openings, HD Type 3-1/2" Hubs Installed



(2) TYPE HD (LARGE) 3-1/2" HUBS INSTALLED



Accessories

CONDUIT HUBS (HD Type)		CAT No.	DESCRIPTION
TRADE SIZE	CATALOG No.		
3 INCH	EC56856 or H56856-2	H69623	Bypass
3-1/2 INCH	EC56857 or H56857-2	H69685-1	Isolated Neutral Kit
4 INCH	EC56858 or H56858-2	H69546-1	Hex Magnet Socket Kit
		H69232-1	Insulated T-Handle Kit
		H65050	K-base Insulator Kit
		H63864	K-base Ground Kit
Hub Cover Plate	EC56933 or H56933S		

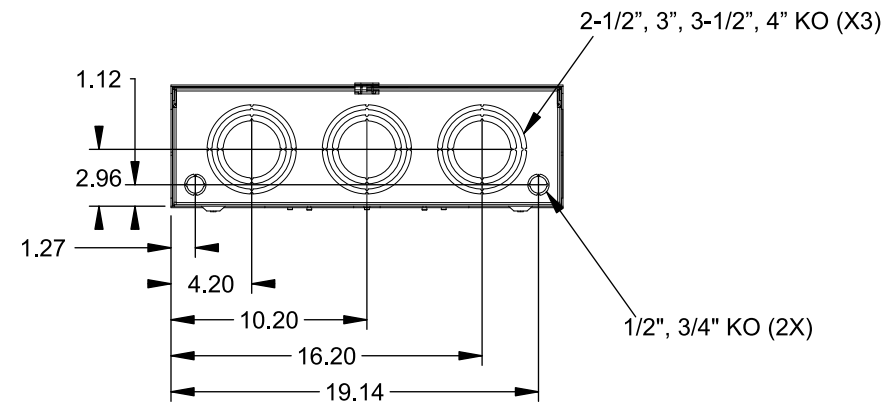
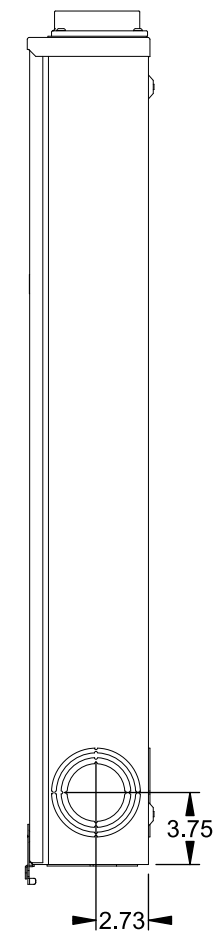
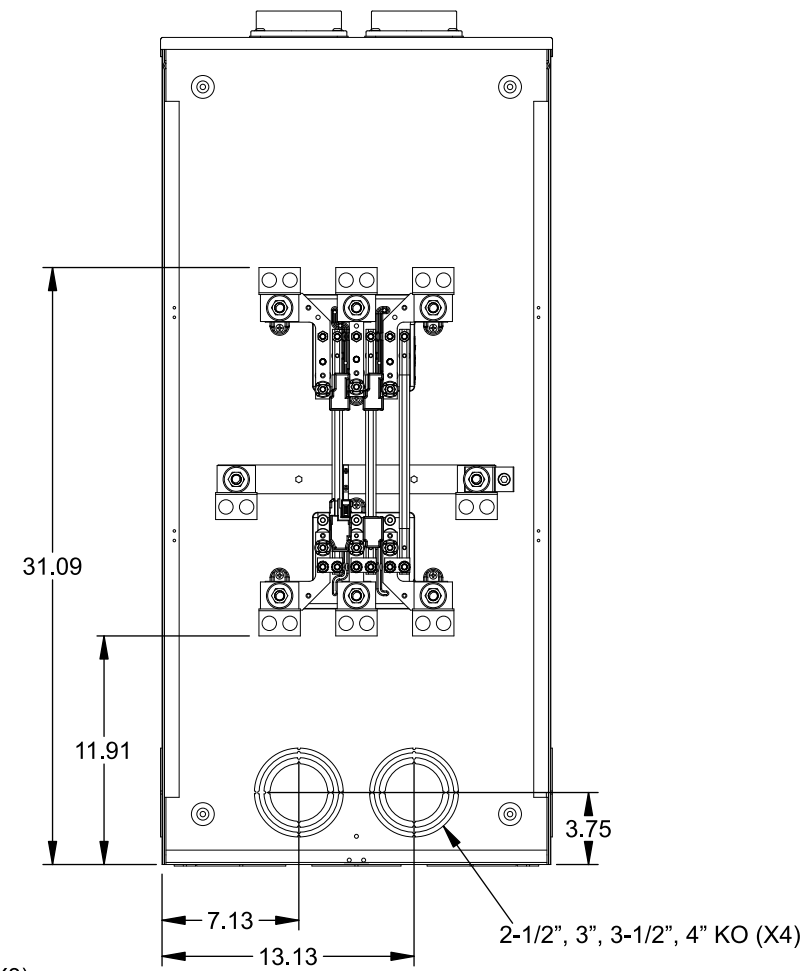
CONNECTOR	PART No.	HEX DRIVE	WIRE SIZE	TORQUE
LINE*	56732-M	3/8"	(2)#4 - 500 kcmil	375 IN-LBS.
LOAD*	56732-M	3/8"	(2)#4 - 500 kcmil	375 IN-LBS.
NEUTRAL*	56732-M	3/8"	(2)#4 - 500 kcmil	375 IN-LBS.
LINE/LOAD/NEUT	68752-1	5/16"	(3)#6 - 250 kcmil	275 IN-LBS.
GROUND*	56734	5/16"	#6 - 250 kcmil	275 IN-LBS.

Connectors, Wire Sizes and Torques

CONNECTOR	PART No.	HEX DRIVE	WIRE SIZE	TORQUE
LINE*	56732-M	3/8"	(2)#4 - 500 kcmil	375 IN-LBS.
LOAD*	56732-M	3/8"	(2)#4 - 500 kcmil	375 IN-LBS.
NEUTRAL*	56732-M	3/8"	(2)#4 - 500 kcmil	375 IN-LBS.
LINE/LOAD/NEUT	68752-1	5/16"	(3)#6 - 250 kcmil	275 IN-LBS.
GROUND*	56734	5/16"	#6 - 250 kcmil	275 IN-LBS.

*Factory Installed

VIEW SHOWN WITH COVER REMOVED



© 2016 Copyright Siemens Industry, Inc.

TALON

Meter Socket

Description: **480A Cont, 4 Terminal, K-7T, 600V AC, Painted Steel Enclosure**

JEL 2/1/16 | DO NOT SCALE DRAWING | Dwg No: **9817-9510**