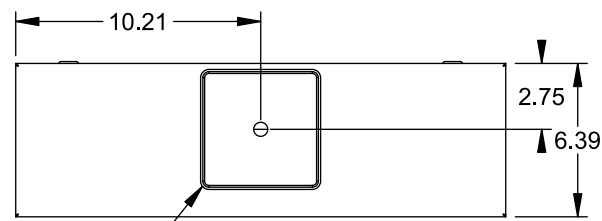


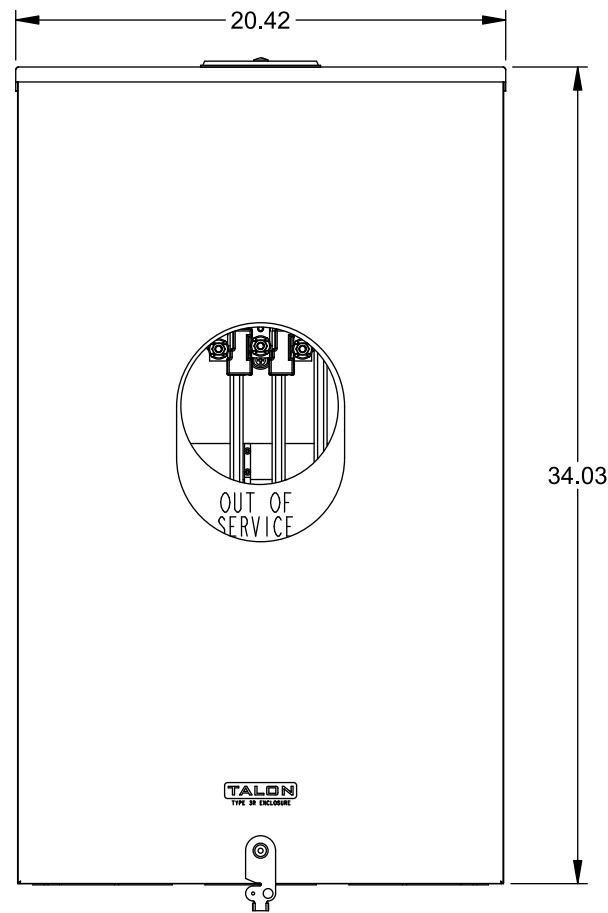
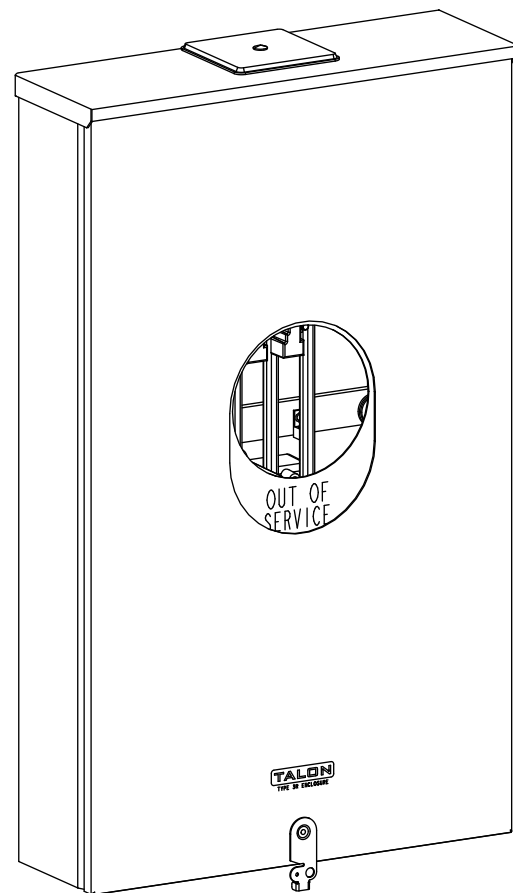
**Catalog Number: 9817-8069**

**Features and Ratings**

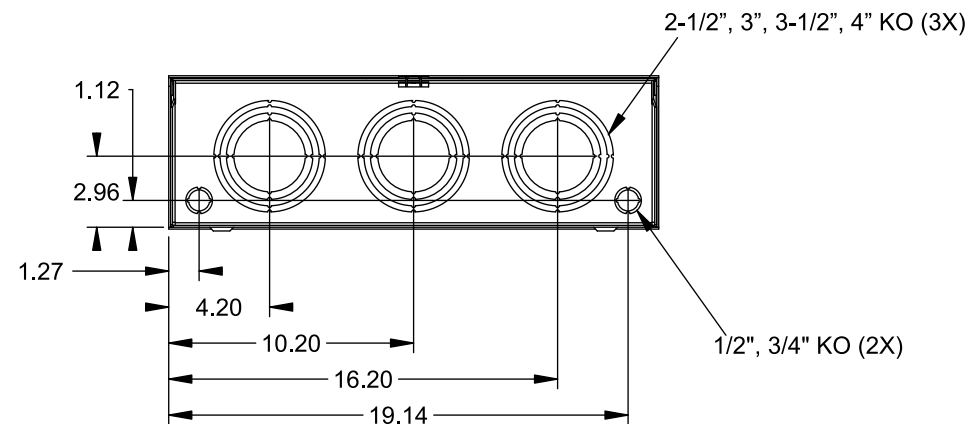
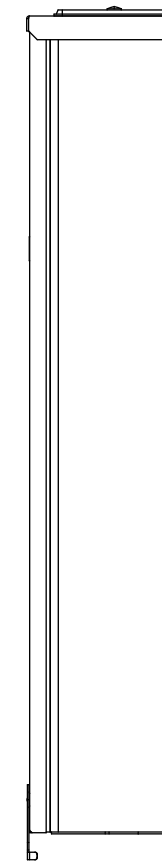
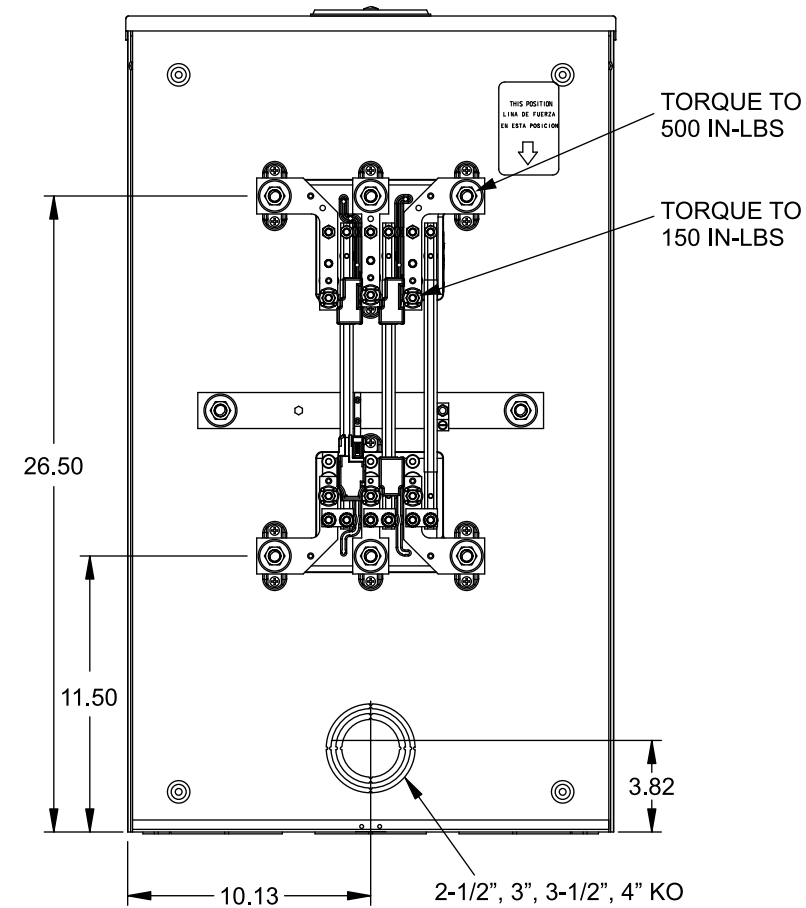
- Ringless Type Meter Socket
- 400A Continuous, 400A Max., 600V AC
- Outdoor Enclosure (NEMA Type 3R)
- Painted G90 Steel Enclosure
- 3 Phase, Commercial/Industrial Socket
- Meter Socket Type K-7
- For Overhead & Underground Service
- Large Hub Opening, HD Type Cover Plate Installed



TYPE HD (LARGE) HUB OPENING  
COVER PLATE INSTALLED



VIEW SHOWN WITH COVER REMOVED



**Accessories**

| CONDUIT HUBS (HD Type) |                     |
|------------------------|---------------------|
| TRADE SIZE             | CATALOG No.         |
| 3 INCH                 | EC56856 or H56856-2 |
| 3-1/2 INCH             | EC56857 or H56857-2 |
| 4 INCH                 | EC56858 or H56858-2 |
| Hub Cover Plate        | EC56933 or H56933S  |

| CAT No.  | DESCRIPTION            |
|----------|------------------------|
| H69623   | Bypass                 |
| H69685-1 | Isolated Neutral Kit   |
| H69546-1 | Hex Magnet Socket Kit  |
| H69232-1 | Insulated T-Handle Kit |
| H65050   | K-base Insulator Kit   |
| H63864   | K-base Ground Kit      |

**Connectors, Wire Sizes and Torques**

| CONNECTOR | PART No. | HEX DRIVE | WIRE SIZE         | TORQUE       |
|-----------|----------|-----------|-------------------|--------------|
| LINE      | 58852    | 1/2"      | 3/0 - 800 kcmil   | 500 IN.-LBS. |
| LINE      | 58853    | 5/16"     | (2)#6 - 350 kcmil | 275 IN.-LBS. |
| LOAD      | 56732    | 5/16"     | (2)#4 - 350 kcmil | 275 IN.-LBS. |
| LINE/NEUT | 56732    | 5/16"     | (2)#4 - 350 kcmil | 275 IN.-LBS. |
| GROUND    | 56734    | 5/16"     | #14 - 2 AWG       | 50 IN.-LBS.  |

© 2015 Copyright Siemens Industry, Inc.

**TALON**  
**Meter Socket**

Description: **400A Cont, 4 Terminal, K-7,  
600V AC, Painted Steel Enclosure**

JEL 12/1/15 DO NOT SCALE DRAWING Dwg No: **9817-8069**