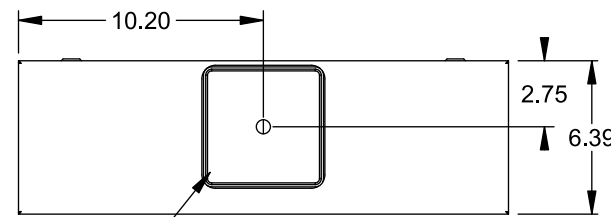


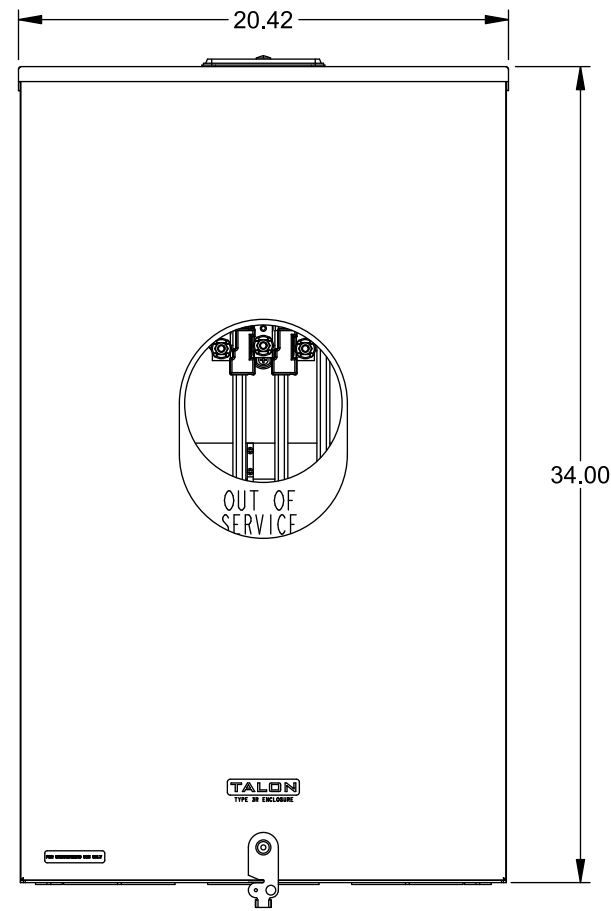
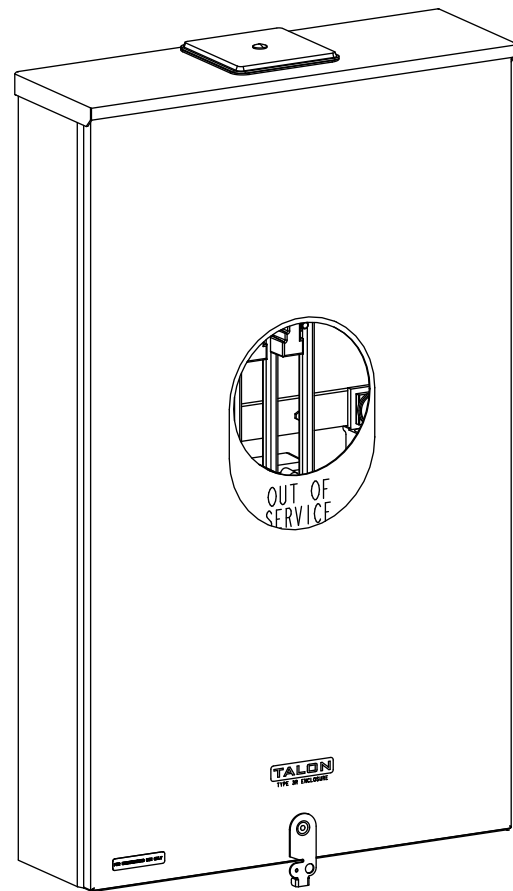
Catalog Number: 9817-8013

Features and Ratings

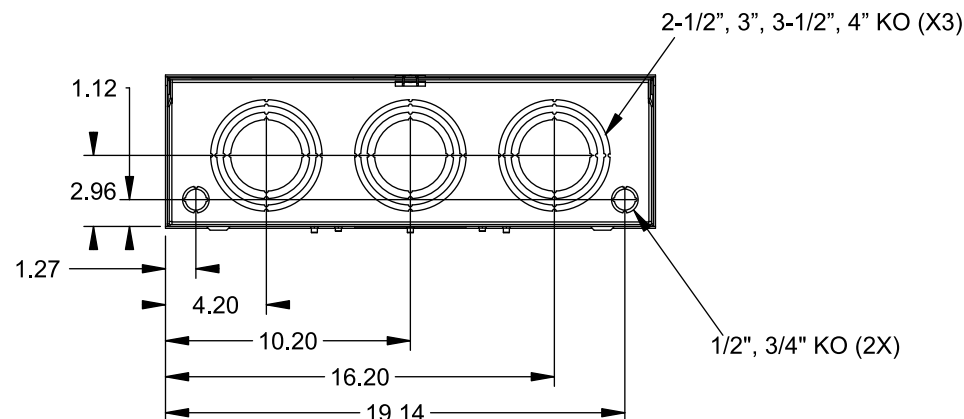
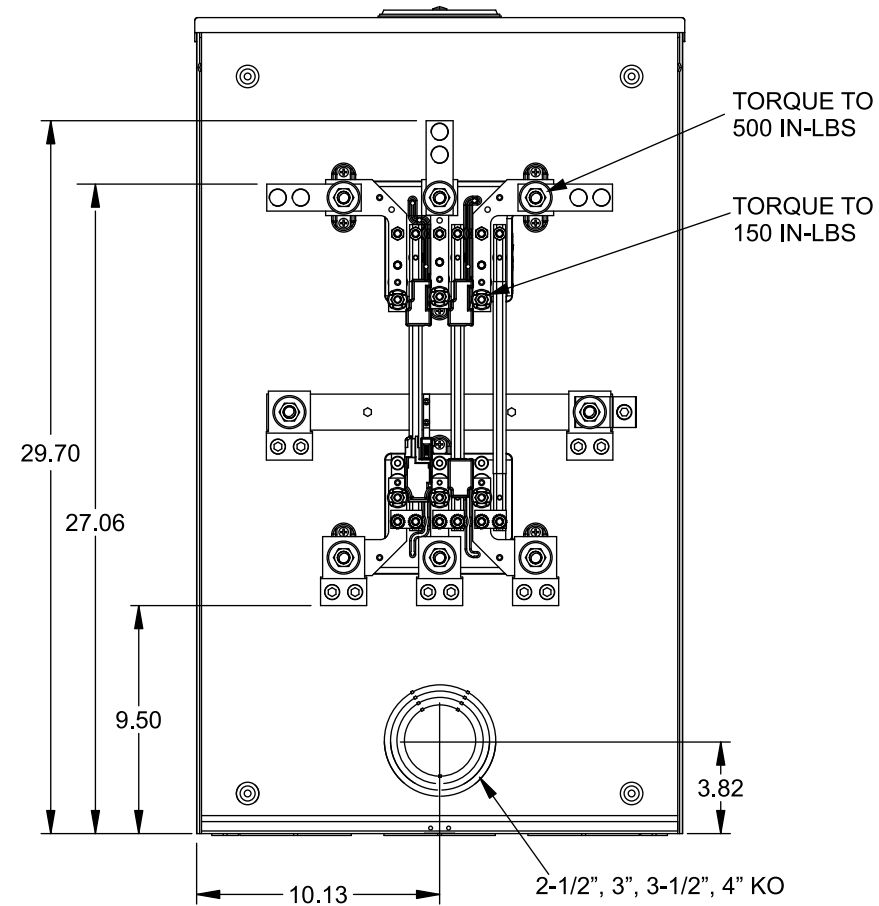
- Ringless Type Meter Socket
- 400A Continuous, 400A Max., 600V AC
- Outdoor Enclosure (NEMA Type 3R)
- Painted Steel Enclosure
- 3 Phase, Commercial/Industrial Socket
- Meter Socket Type K-7
- For Overhead & Underground Service
- Large Hub Opening, HD Type Cover Plate Installed



TYPE HD (LARGE) HUB OPENING
COVER PLATE INSTALLED



VIEW SHOWN WITH COVER REMOVED



Accessories

CONDUIT HUBS (HD Type)		CAT No.	DESCRIPTION
TRADE SIZE	CATALOG No.		
3 INCH	EC56856 or H56856-2	H69623	Bypass
3-1/2 INCH	EC56857 or H56857-2	H69685-1	Isolated Neutral Kit
4 INCH	EC56858 or H56858-2	H69546-1	Hex Magnet Socket Kit
		H69232-1	Insulated T-Handle Kit
		H65050	K-base Insulator Kit
		H63864	K-base Ground Kit
Hub Cover Plate	EC56933 or H56933S		

Connectors, Wire Sizes and Torques

CONNECTOR	PART No.	HEX DRIVE	WIRE SIZE	TORQUE
LINE	58853	5/16"	(2)#6 - 350 kcmil	275 IN-LBS.
LOAD*	56732	5/16"	(2)#4 - 350 kcmil	275 IN-LBS.
NEUTRAL*	56732	5/16"	(2)#4 - 350 kcmil	275 IN-LBS.
GROUND*	56734	5/16"	(2)#6 - 250 kcmil	275 IN-LBS.

*Factory Installed

© 2015 Copyright Siemens Industry, Inc.

TALON
Meter Socket

Description: **400A Cont, 4 Terminal, K-7, 600V AC, Painted Steel Enclosure**

JEL 12/1/15 DO NOT SCALE DRAWING Dwg No: **9817-8013**