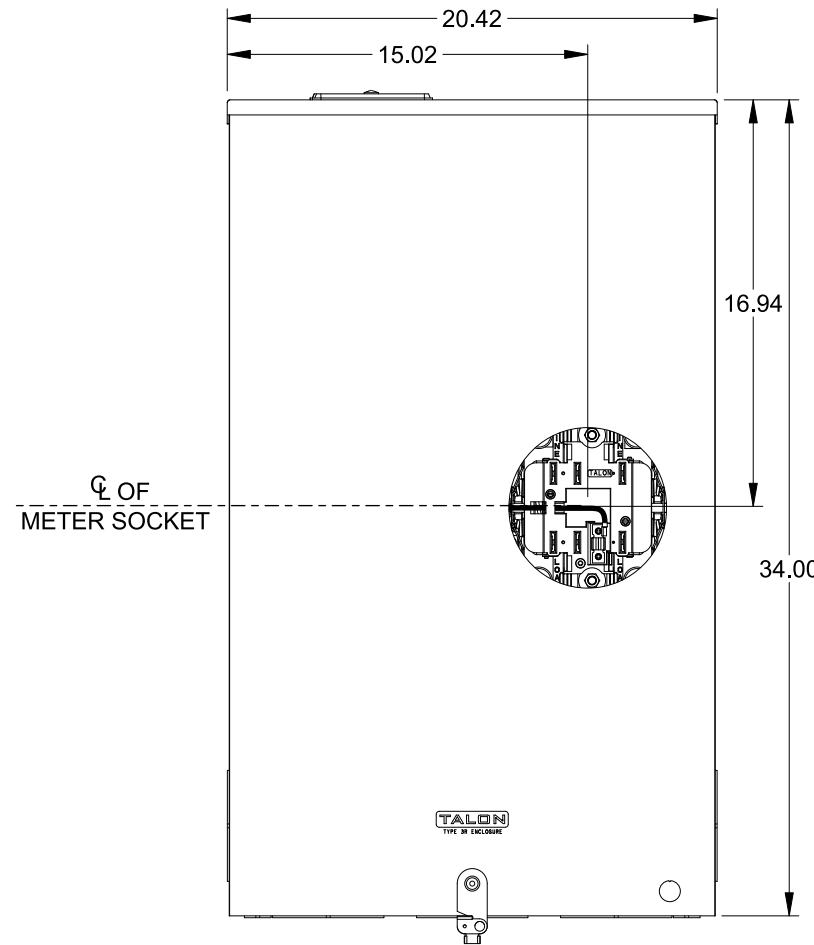
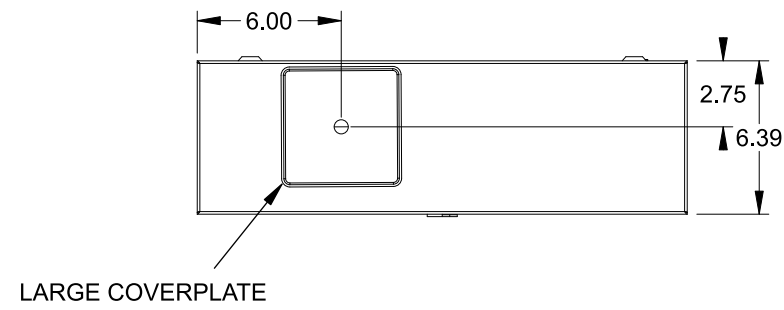
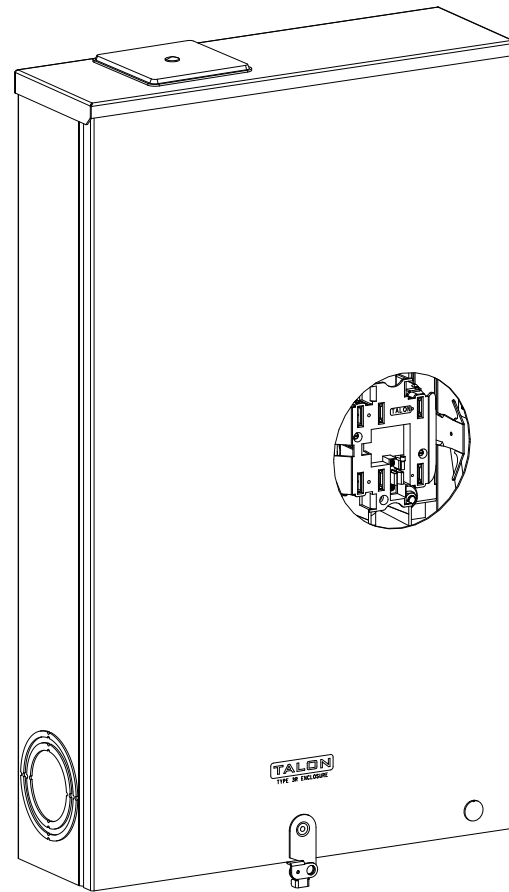


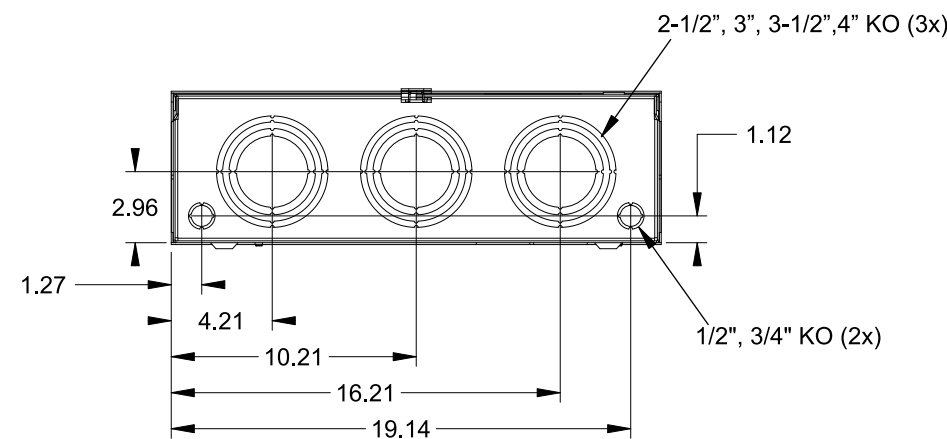
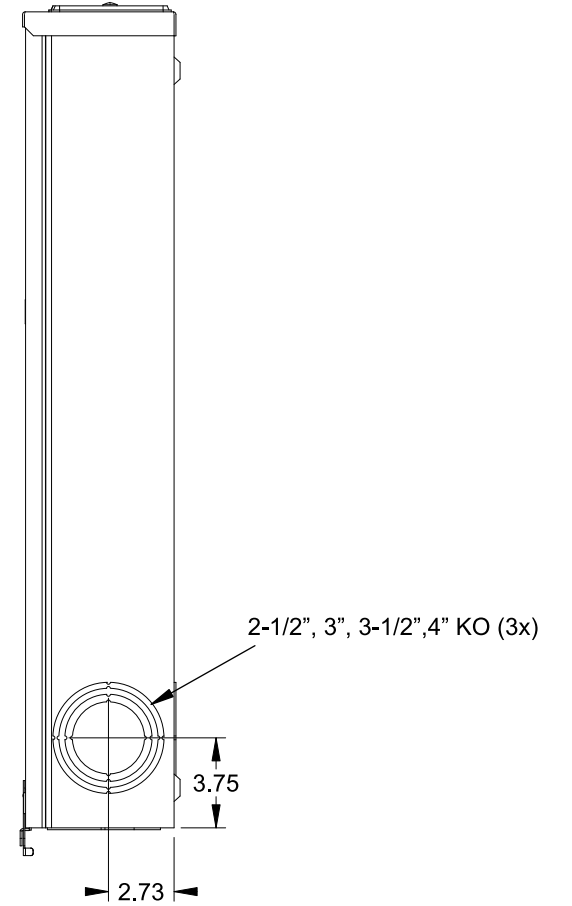
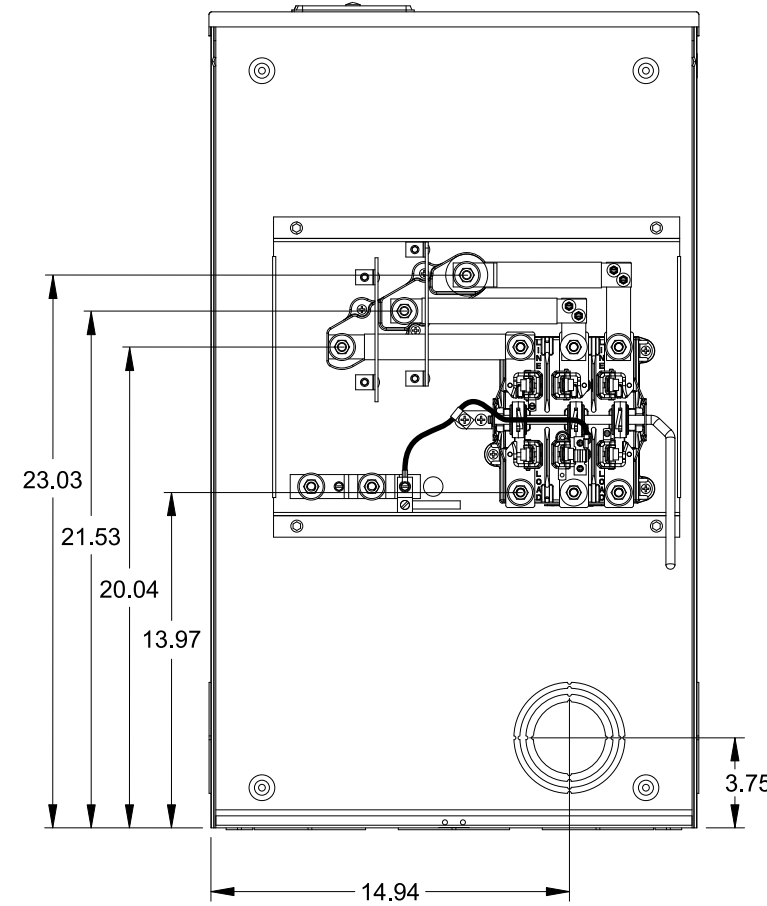
Catalog Number: 48707-02FE

Features and Ratings

- Ringless Type Meter Socket
- 320A Continuous, 320A Max., 600V AC
- Outdoor Enclosure (NEMA Type 3R)
- Painted G90 Steel Enclosure
- 3 Phase, 4 Wire, Commercial Socket
- 7 Jaw Meter Socket
- Meter Socket Type HQ-7SW
- For Overhead & Underground Service
- HD Type Hub Opening w/Large Coverplate
- Lever Bypass
- Side Wired
- 7/8" Barrel Lock Provision w/Bracket



VIEW SHOWN WITH COVER REMOVED



Accessories

CONDUIT HUBS (HD Type)	
TRADE SIZE	CATALOG No.
3 INCH	EC56856 or H56856-2
3-1/2 INCH	EC56857 or H56857-2
4 INCH	EC56858 or H56858-2
Hub Cover Plate	EC56933 or H56933S

Meter Opening Cover Plate
Cat No: H659-0162

Connectors, Wire Sizes and Torques

CONNECTOR	PART NO.	WIRE SIZE	HEX	TORQUE
LINE, NEUT	55890-1	#6 - 350 kcmil	5/16"	275 LB-IN
LINE, NEUT	60162	#4-600 / (2)1/0-250 kcmil	1/2"	500 LB-IN
LOAD	55890-1	#6 - 350 kcmil	5/16"	275 LB-IN
LOAD	67892	#4 - 500 kcmil	1/2"	500 LB-IN
GROUND	67554A	#14 - 2 AWG	..	50 LB-IN

© 2016 Copyright Siemens Industry, Inc.

TALON
Meter Socket

Description: **320A Cont, 7 Jaw, HQ-7SW, 600V AC, Painted Steel Enclosure**

JEL 3/18/16 | DO NOT SCALE DRAWING | Dwg No: **48707-02FE**