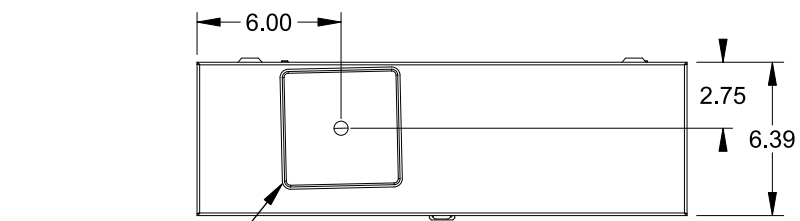
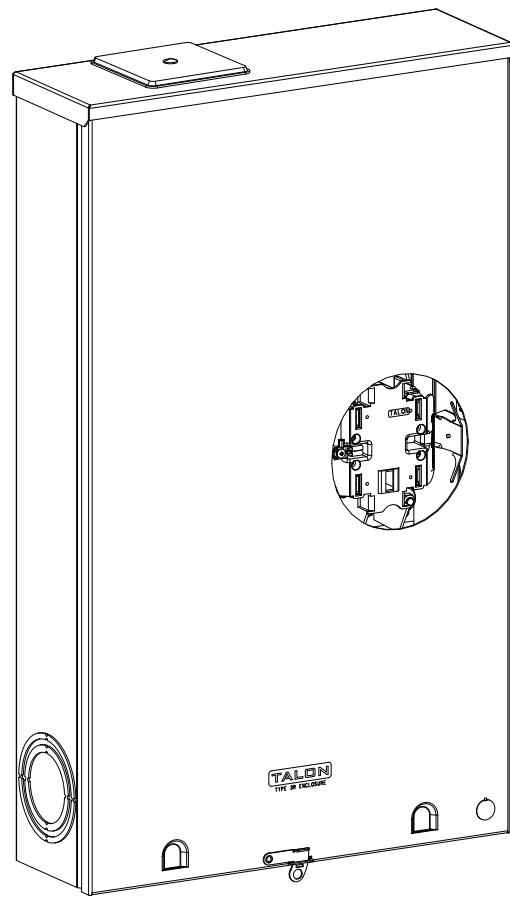


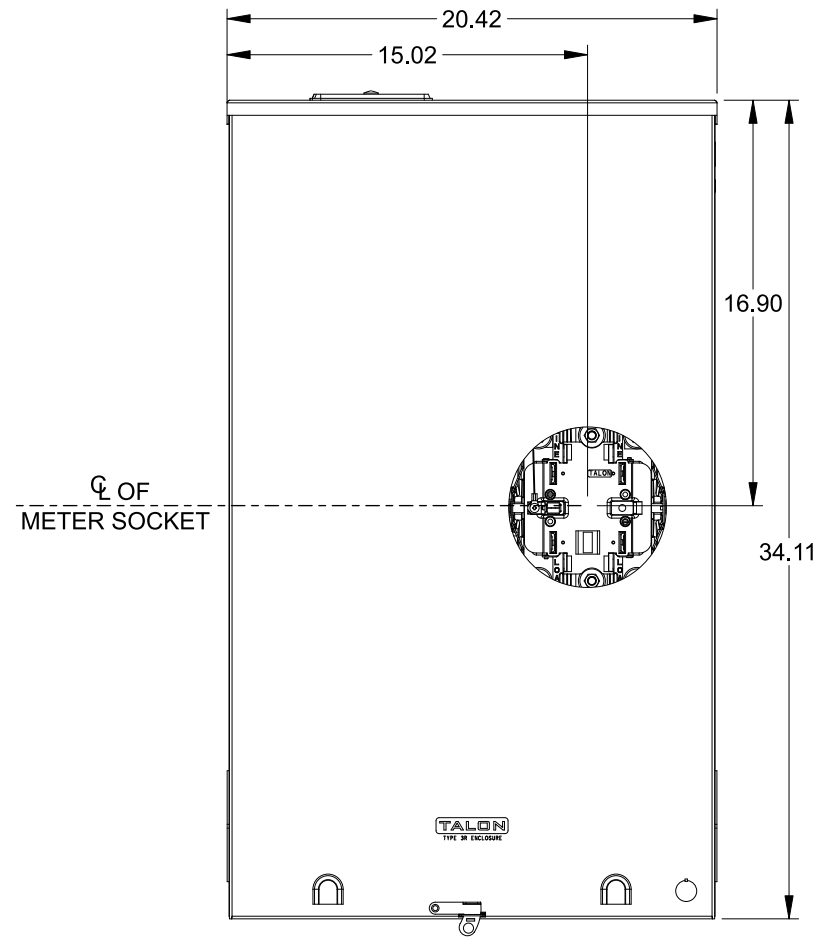
Catalog Number: 48705-08

Features and Ratings

- Ringless Type Meter Socket
- 320A Continuous, 400A Max., 600V AC
- Outdoor Enclosure (NEMA Type 3R)
- Painted G90 Steel Enclosure
- 3 Phase, 3-Wire, Commercial Socket
- 5 Jaw Meter Socket
- Meter Socket Type HQ-5SSW
- For Overhead & Underground Service
- HD Type Hub Opening w/Large Coverplate
- 7/8" Barrel Lock Provision w/Bracket
- Lever Bypass
- Side Wired

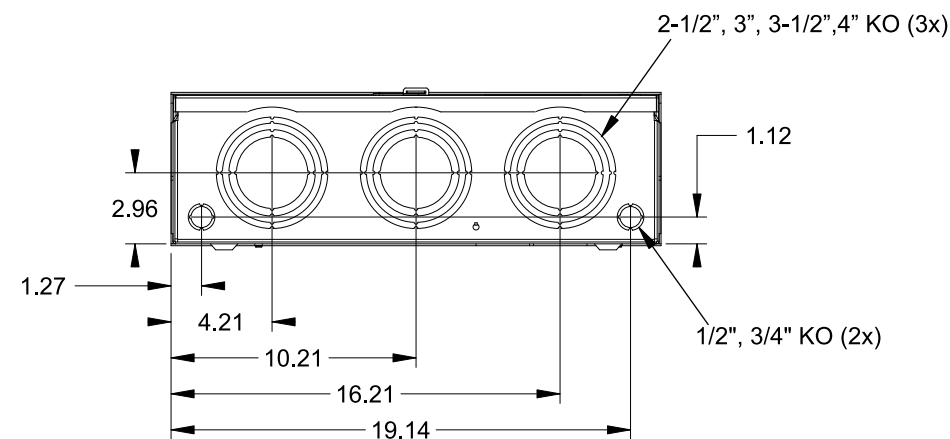
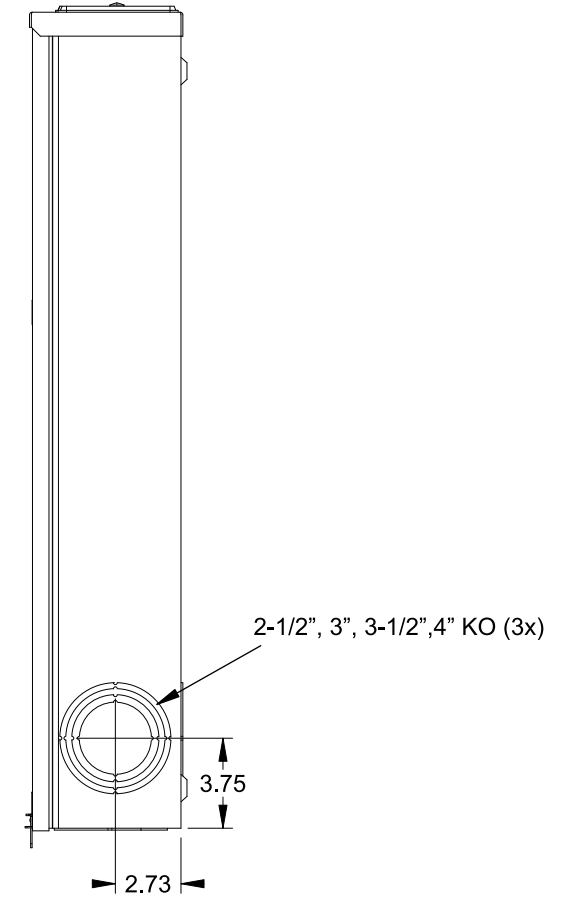
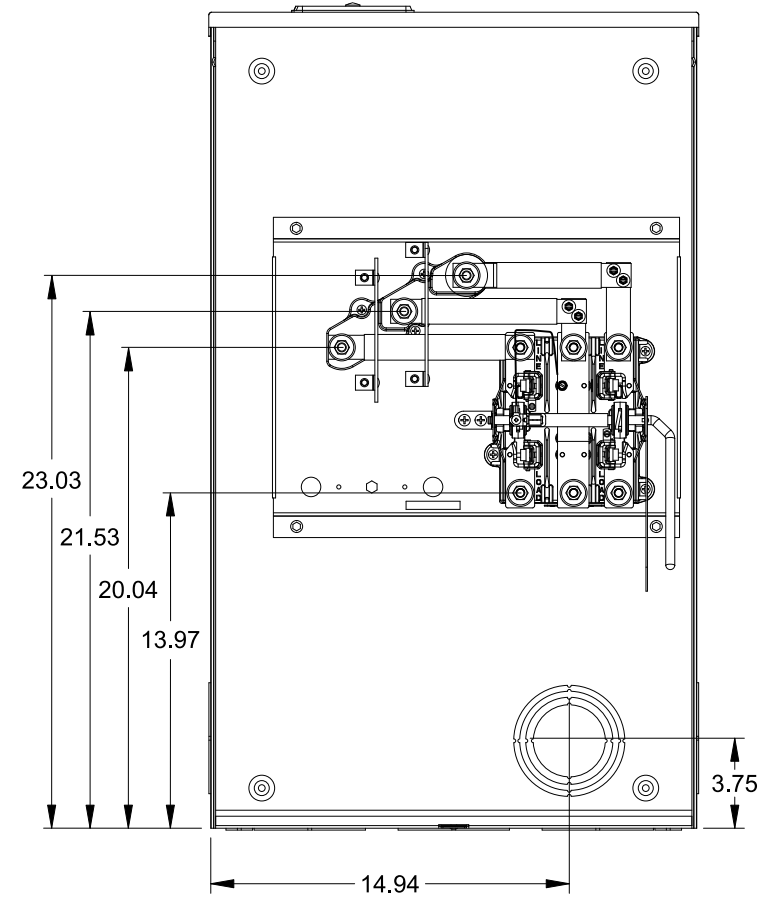


LARGE COVERPLATE



CL OF METER SOCKET

VIEW SHOWN WITH COVER REMOVED



Accessories

CONDUIT HUBS (HD Type)	
TRADE SIZE	CATALOG No.
3 INCH	EC56856 or H56856-2
3-1/2 INCH	EC56857 or H56857-2
4 INCH	EC56858 or H56858-2

Hub Cover Plate EC56933 or H56933S

Meter Opening Cover Plate

Cat No: H659-0162

5th Jaw Kit

Cat. No: EC35815-3

Connectors, Wire Sizes and Torques

CONNECTOR	PART NO.	WIRE SIZE	HEX	TORQUE
LINE	60162	#4-600 kcmil / (2)#1/0-250 kcmil	1/2"	500 LB-IN
LOAD	60162	#4-600 kcmil / (2)#1/0-250 kcmil	1/2"	500 LB-IN
NEUTRAL	60162	#4-600 kcmil / (2)#1/0-250 kcmil	1/2"	500 LB-IN

© 2016 Copyright Siemens Industry, Inc.

TALON

Meter Socket

Description: **320A Cont, 5 Jaw, HQ-5SSW, 600V AC, Painted Steel Enclosure**

JEL 3/18/16 DO NOT SCALE DRAWING Dwg No: **48705-08**