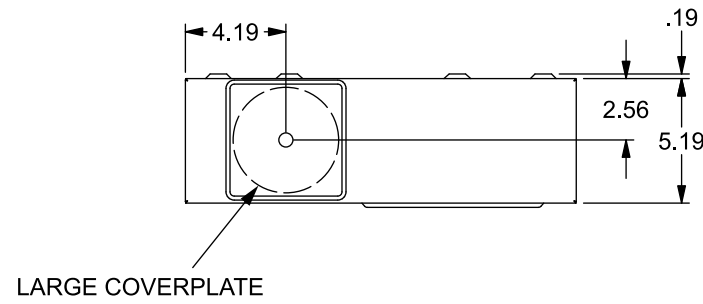


# Catalog Number: 48005-82FL

## Features and Ratings

- Ringless Type Meter Socket
- 320A Continuous, 400A Max., 600V AC
- Outdoor Enclosure (NEMA Type 3R)
- Painted G90 Steel Enclosure
- 1 Phase, 3-Wire, Commercial Socket
- 5 Jaw Meter Socket, Type HQ-5SWT
- For Overhead & Underground Service
- HD Type Hub Opening w/Large Coverplate
- Lever Bypass
- Side Wired



## Accessories

| CONDUIT HUBS (HD Type) |                     |
|------------------------|---------------------|
| TRADE SIZE             | CATALOG No.         |
| 3 INCH                 | EC56856 or H56856-2 |
| 3-1/2 INCH             | EC56857 or H56857-2 |
| 4 INCH                 | EC56858 or H56858-2 |
| Hub Cover Plate        | EC56933 or H56933S  |

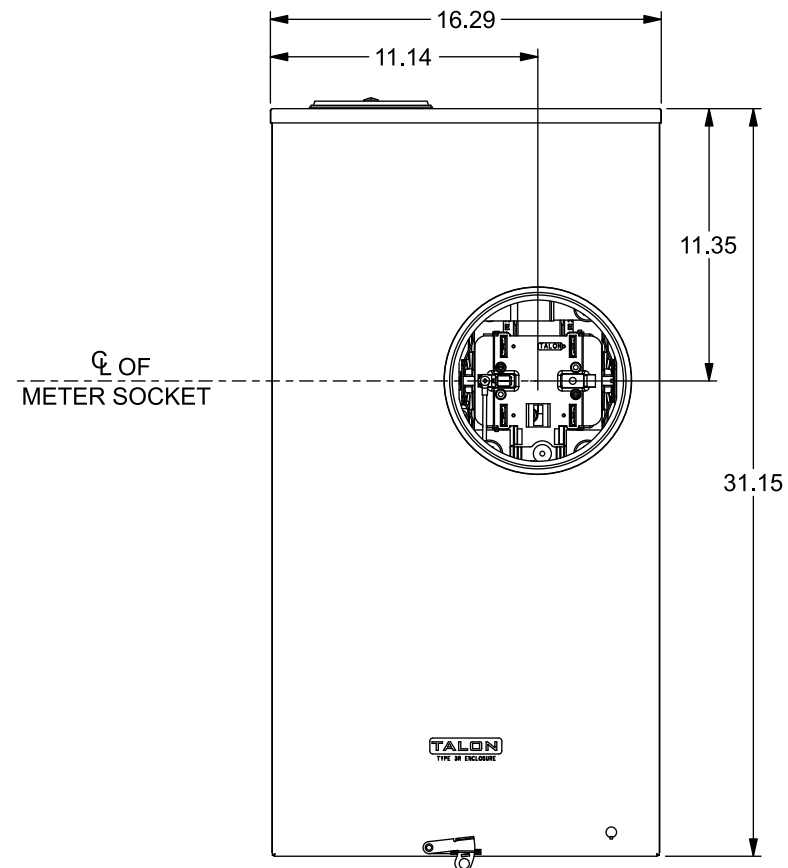
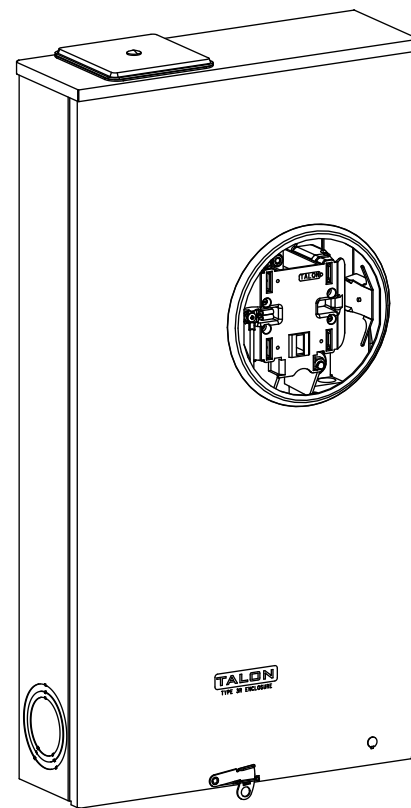
Meter Opening Cover Plate  
Cat No: H659-0162

## Connectors, Wire Sizes and Torques

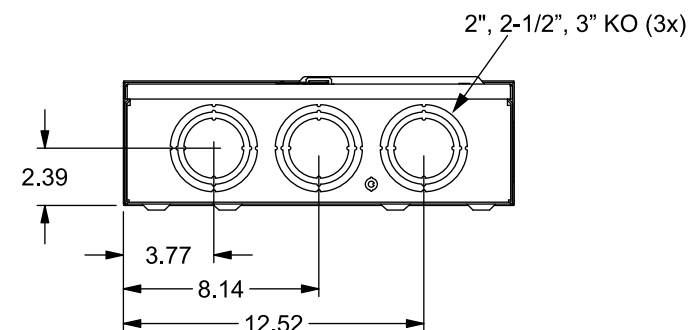
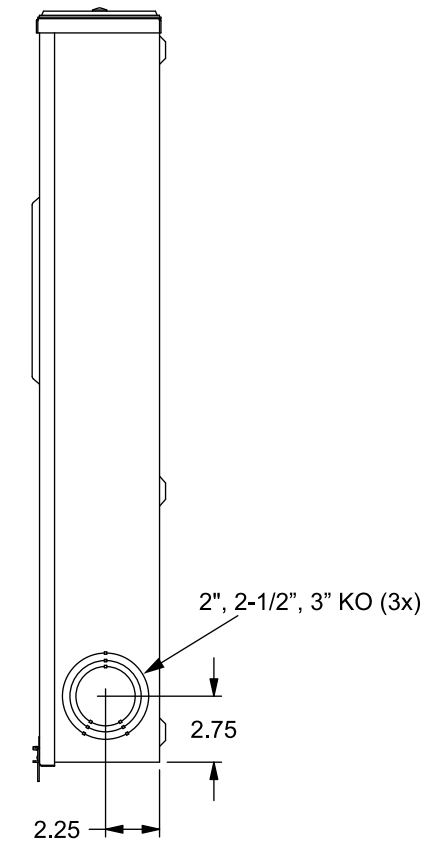
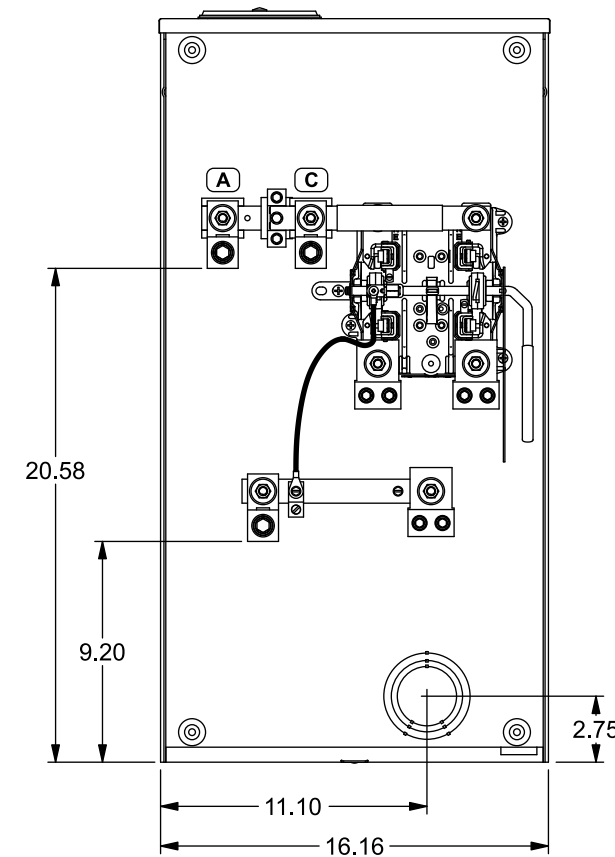
RECOMMENDED OR INSTALLED CONNECTORS  
(Tightening Torque For Connector Mounting Nuts is 300 Lb-In)

| LOCATION | PART NO. | WIRE SIZE                                 | TORQUE    |
|----------|----------|---|-----------|
| LINE*    | H60162   | #4 AWG-600 kcmil<br>(2)#1/0 AWG-250 kcmil | 500 LB-IN |
| LINE     | H56476   | #3/0 AWG-800 kcmil                        | 500 LB-IN |
| LINE     | H56732   | (2)#4 AWG-350 kcmil                       | 275 LB-IN |
| LOAD     | H60162   | #4 AWG-600 kcmil<br>(2)#1/0 AWG-250 kcmil | 500 LB-IN |
| LOAD     | H56476   | #3/0 AWG-800 kcmil                        | 500 LB-IN |
| LOAD*    | H56732-2 | (2)#6 AWG-350 kcmil                       | 275 LB-IN |
| NEUTRAL* | H60162   | #4 AWG-600 kcmil<br>(2)#1/0 AWG-250 kcmil | 500 LB-IN |
| NEUTRAL  | H56476   | #3/0 AWG-800 kcmil                        | 500 LB-IN |
| NEUTRAL* | H56732-2 | (2)#6 AWG-350 kcmil                       | 275 LB-IN |
| GROUND*  | 67554A   | #14 - 2/0 AWG                             | 50 LB-IN  |

\* indicates factory installed connectors



VIEW SHOWN WITH COVER AND SHIELD REMOVED



© 2017 Copyright Siemens Industry, Inc.

**TALON**  
**Meter Socket**

Description: **320A Cont, 5 Jaw, HQ-5SWT, 600V AC, Painted Steel Enclosure**

KAM 12/5/17 DO NOT SCALE DRAWING Dwg No: **48005-82FL**