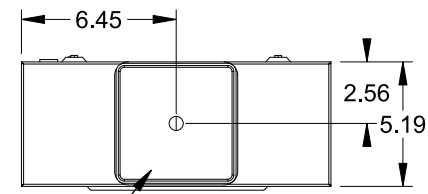


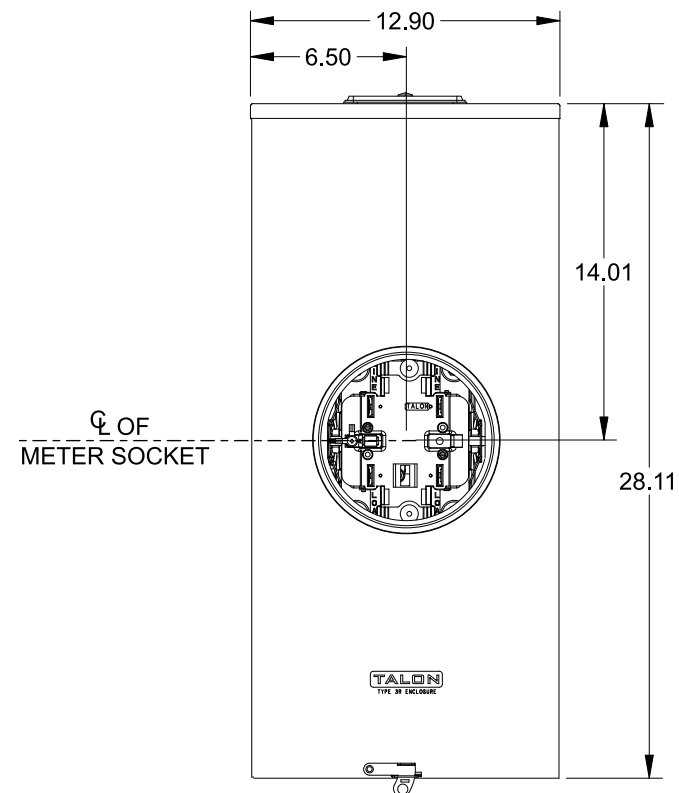
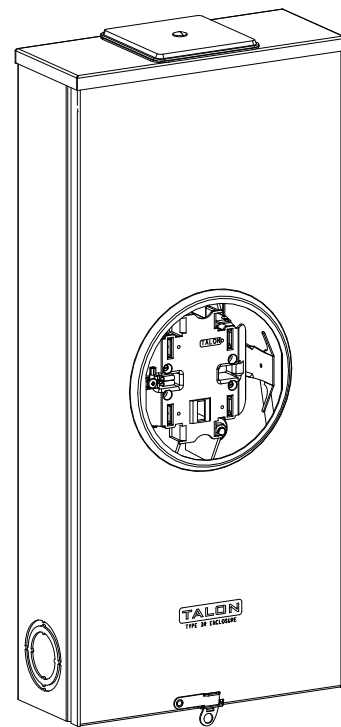
Catalog Number: 47605-02FL

Features and Ratings

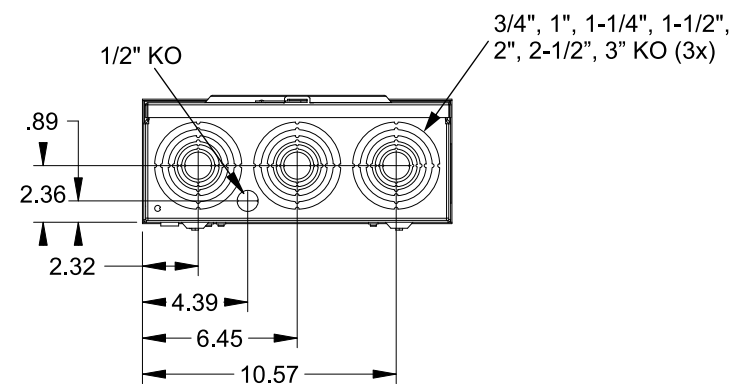
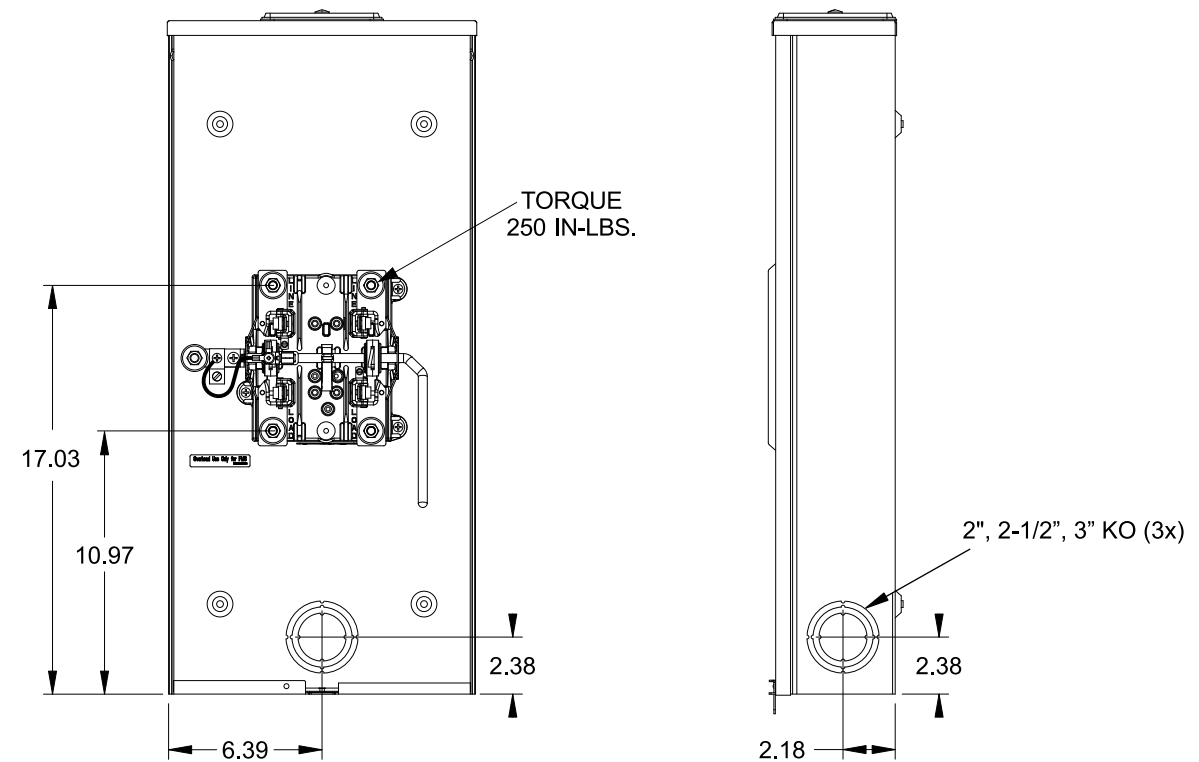
- Ringless Type Meter Socket
- 320A Continuous, 400A Max., 600V AC
- Outdoor Enclosure (NEMA Type 3R)
- Painted G90 Steel Enclosure
- 1 Phase, Commercial Socket
- 5 Jaw Meter Socket
- Meter Socket Type HQ-5SUT
- For Overhead & Underground Service
- HD Type Hub Opening w/CoverPlate
- Lever Bypass



LARGE HUB OPENING WITH COVERPLATE INSTALLED



VIEW SHOWN WITH COVER REMOVED



Accessories

CONDUIT HUBS (HD Type)	
TRADE SIZE	CATALOG No.
3 INCH	EC56856 or H56856-2
3-1/2 INCH	EC56857 or H56857-2
4 INCH	EC56858 or H56858-2
Hub Cover Plate	EC56933 or H56933S

Meter Opening Cover Plate

Cat No: H659-0162

5th Jaw Kit

Cat. No: EC35815-2

Anti Inversion Clip

Cat. No: H59676

Connectors, Wire Sizes and Torques

CONNECTOR	PART No.	WIRE SIZE	HEX DRIVE	TORQUE
LINE,LOAD,NEUTRAL	55890-1	#6 - 350 kcmil	5/16"	275 IN-LBS.
GROUND	36503	#14 - 2 AWG	..	50 IN-LBS.

© 2016 Copyright Siemens Industry, Inc.

TALON

Meter Socket

Description: **320A Cont, 5 Jaw, HQ-5SUT, 600V AC, Painted Steel Enclosure**

JEL 3/18/16 | DO NOT SCALE DRAWING | Dwg No: **47605-02FL**