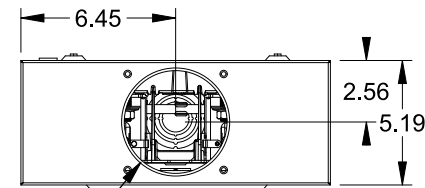


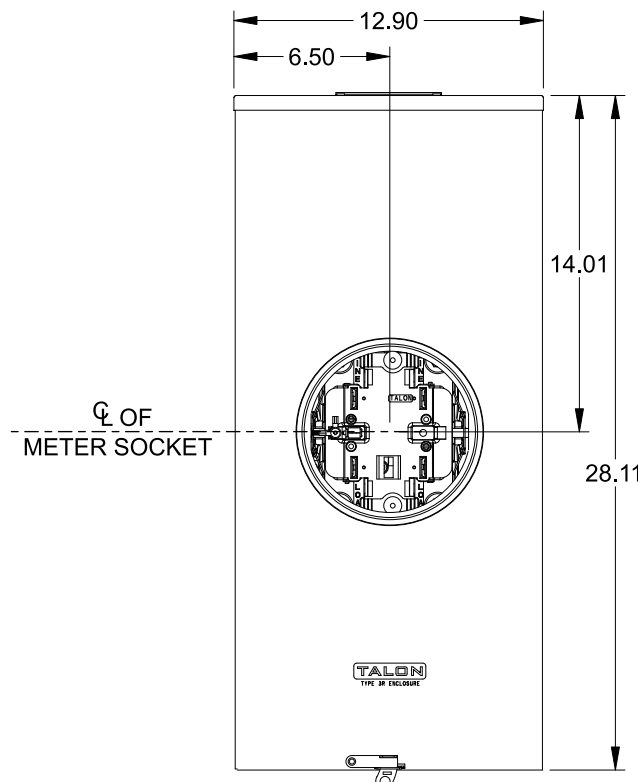
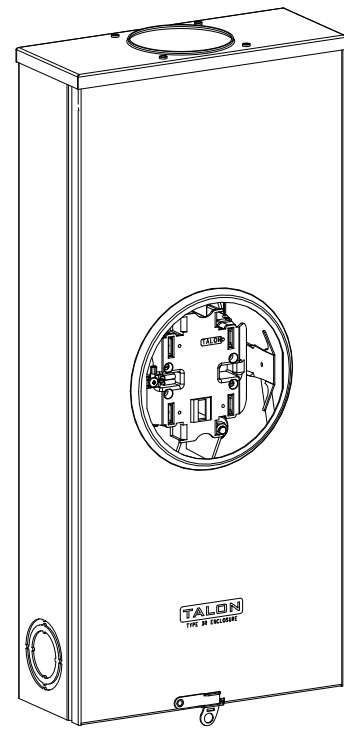
**Catalog Number: 47605-015F**

**Features and Ratings**

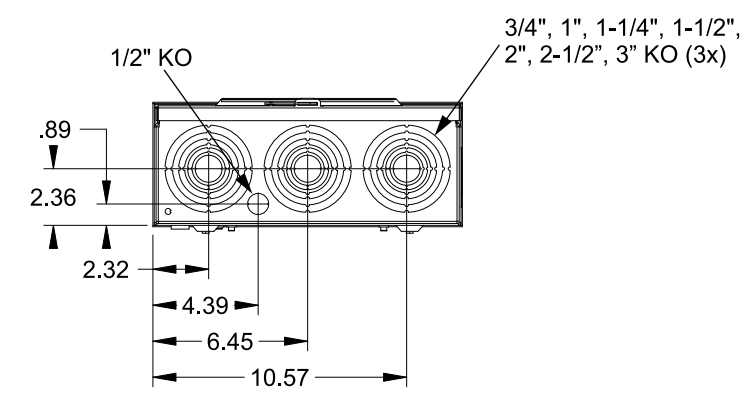
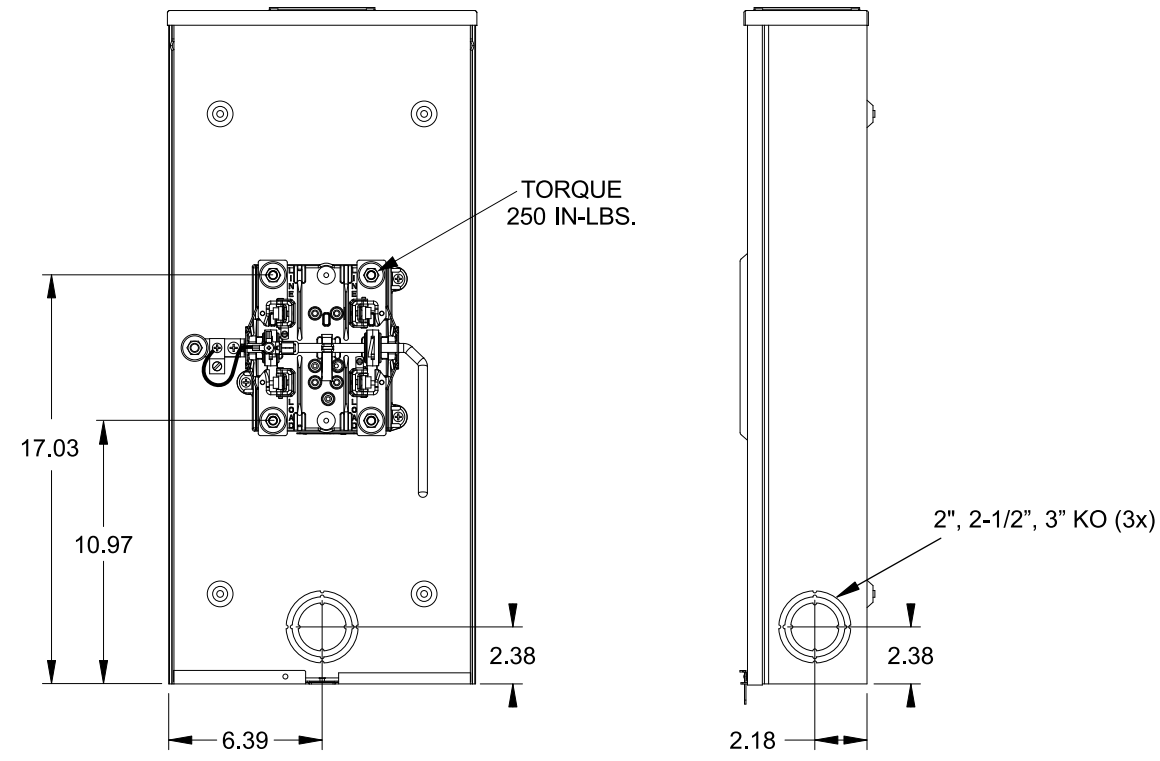
- Ringless Type Meter Socket
- 320A Continuous, 400A Max., 600V AC
- Outdoor Enclosure (NEMA Type 3R)
- Painted G90 Steel Enclosure
- 1 Phase, Commercial Socket
- 5 Jaw Meter Socket
- Meter Socket Type HQ-5SUT
- For Overhead & Underground Service
- HD Type Hub Opening
- Lever Bypass



TYPE HD (LARGE) HUB OPENING



VIEW SHOWN WITH COVER REMOVED



**Accessories**

CONDUIT HUBS (HD Type)	
TRADE SIZE	CATALOG No.
3 INCH	EC56856 or H56856-2
3-1/2 INCH	EC56857 or H56857-2
4 INCH	EC56858 or H56858-2
Hub Cover Plate	EC56933 or H56933S

- Meter Opening Cover Plate  
Cat No: H659-0162
- 5th Jaw Kit  
Cat. No: EC35815-2
- Anti Inversion Clip  
Cat. No: H59676

**Connectors, Wire Sizes and Torques**

CONNECTOR	PART No.	WIRE SIZE	HEX DRIVE	TORQUE
LINE,LOAD,NEUTRAL	55890-1	#6 - 350 kcmil	5/16"	275 IN-LBS.
GROUND	36503	#14 - 2 AWG	..	50 IN-LBS.

© 2016 Copyright Siemens Industry, Inc.



Description: <b>320A Cont, 5 Jaw, HQ-5SUT, 600V AC, Painted Steel Enclosure</b>			
JEL 3/18/16	DO NOT SCALE DRAWING	Dwg No:	<b>47605-015F</b>