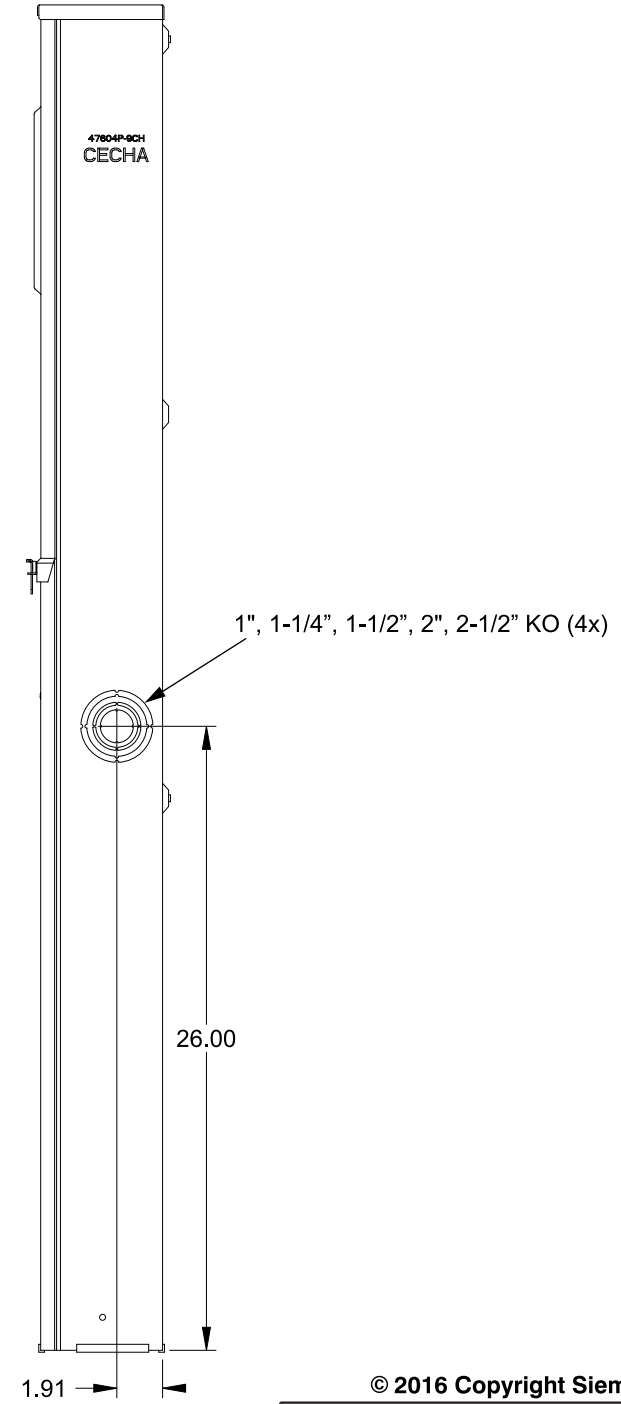
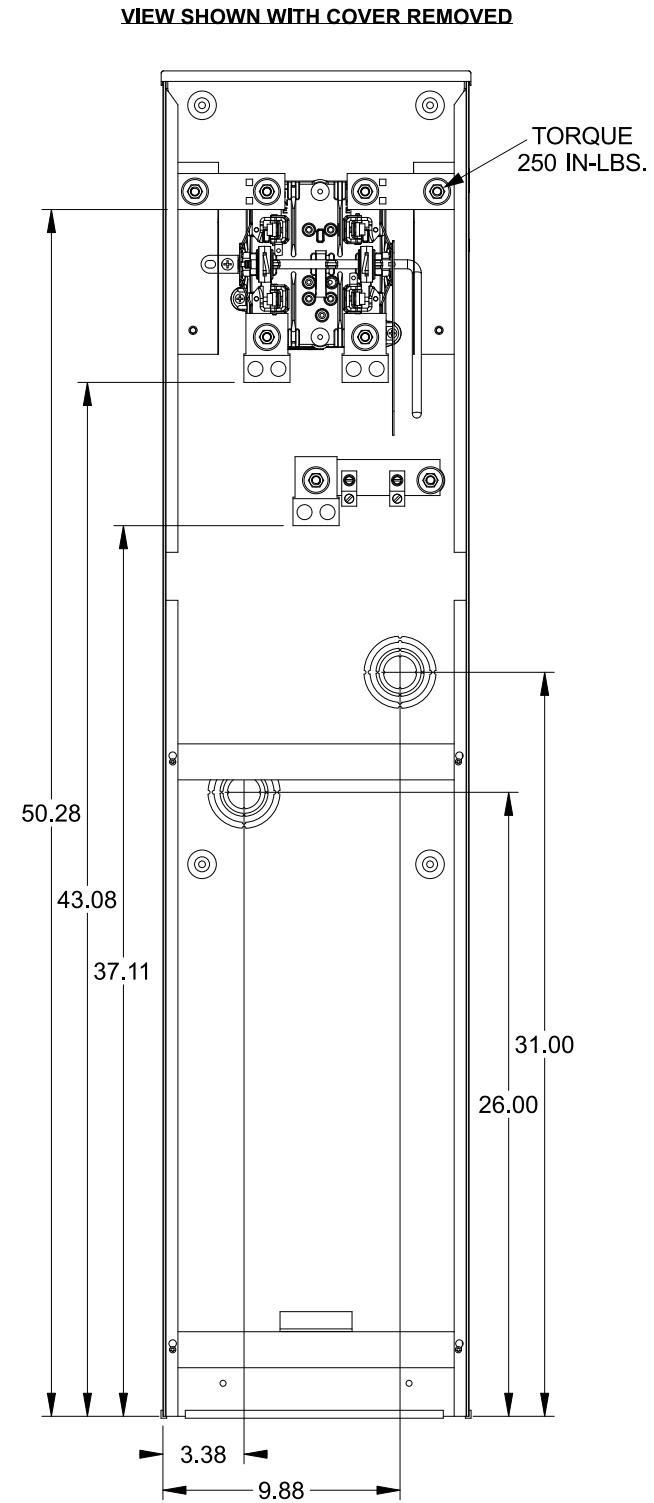
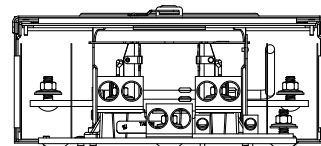
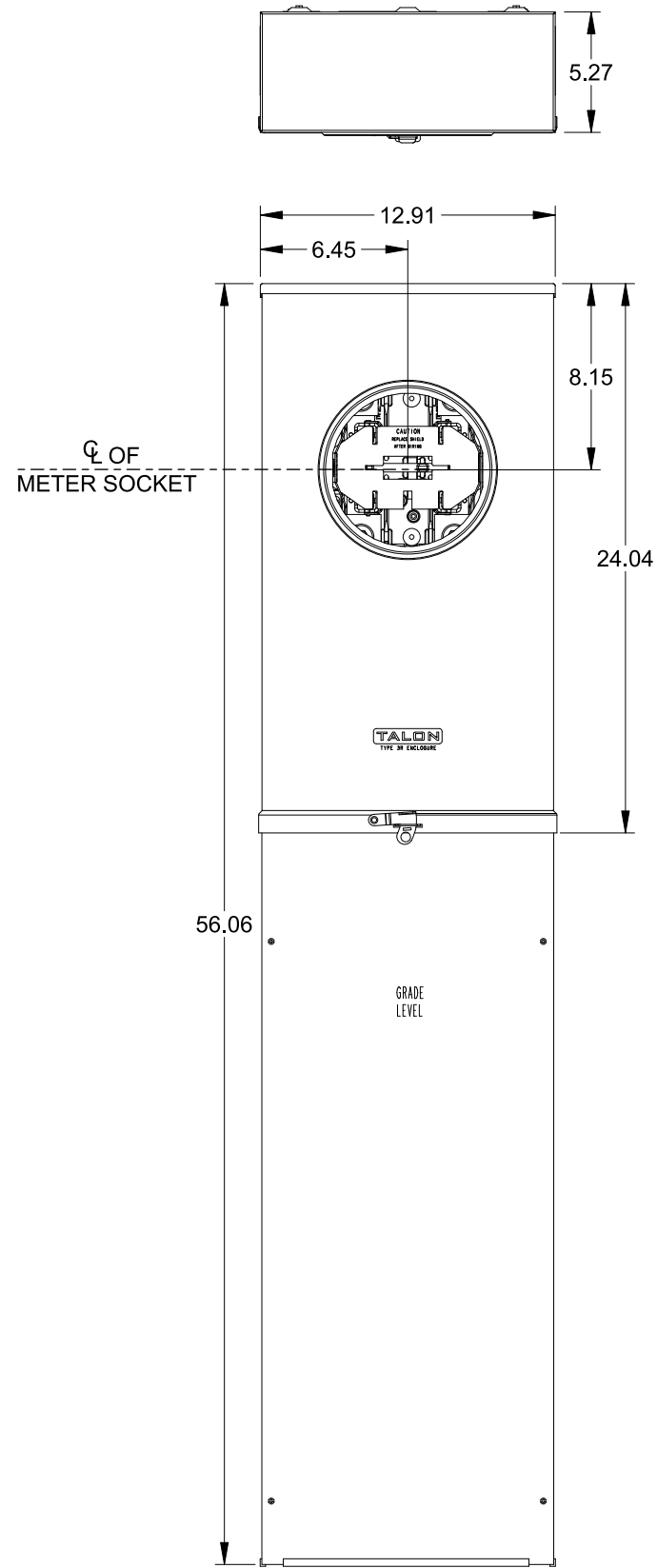
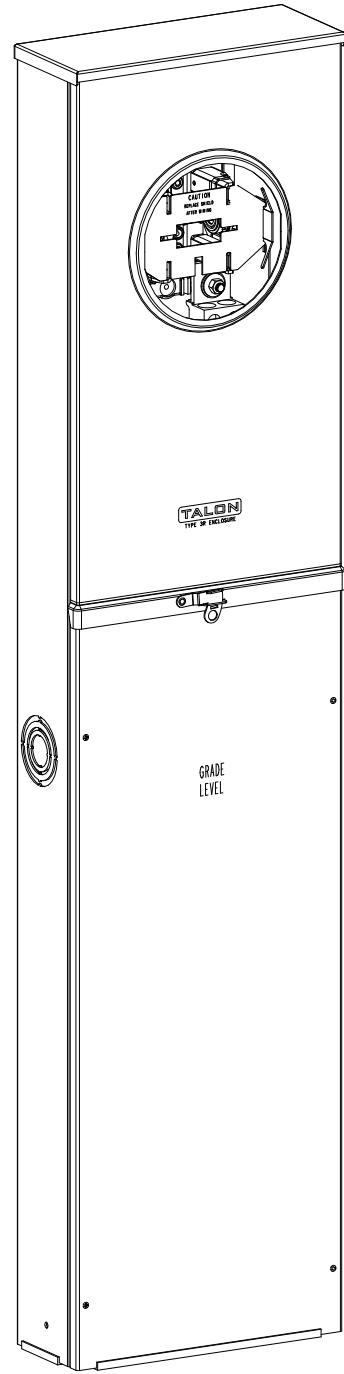


Catalog Number: 47604P-9CH

Features and Ratings

- Ringless Type Meter Socket
- 320A Continuous, 400A Max., 600V AC
- Outdoor Enclosure (NEMA Type 3R)
- Painted G90 Steel Enclosure
- 1 Phase, 3-Wire
- 4 Jaw Meter Socket
- Meter Socket Type HQ-4S
- For Underground Service Only
- No Hub Opening
- Lever Bypass



Connectors, Wire Sizes and Torques

| CONNECTOR | PART No. | WIRE SIZE | HEX DRIVE | TORQUE |
|----------------|----------|--------------------|-----------|-------------|
| LINE,LOAD,NEUT | 56732-2 | (2) #4 - 350 kcmil | 5/16" | 275 IN-LBS. |
| LINE, NEUT | 60162 | #4 - 600 kcmil | 3/8" | 500 IN-LBS. |
| GROUND | 67554A | #14 - 2/0 AWG | .. | 50 IN-LBS. |

© 2016 Copyright Siemens Industry, Inc.

TALON

Meter Socket

Description: **320A Cont, 4 Jaw, HQ-4S, 600V AC, Painted Steel Enclosure**

JEL 3/18/16 DO NOT SCALE DRAWING Dwg No: **47604P-9CH**