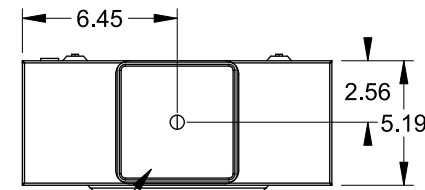


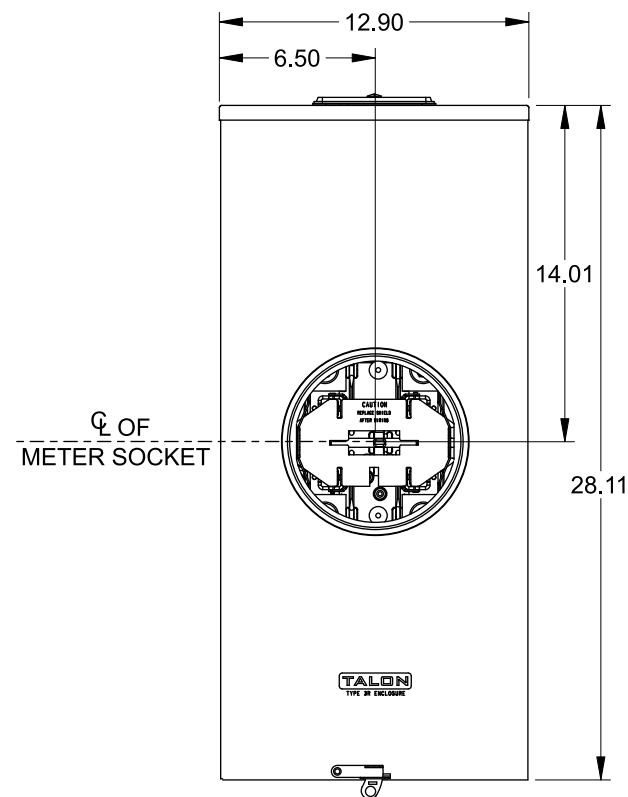
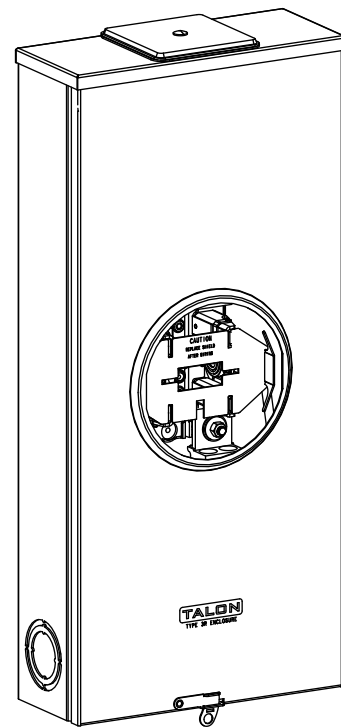
Catalog Number: 47604-8203

Features and Ratings

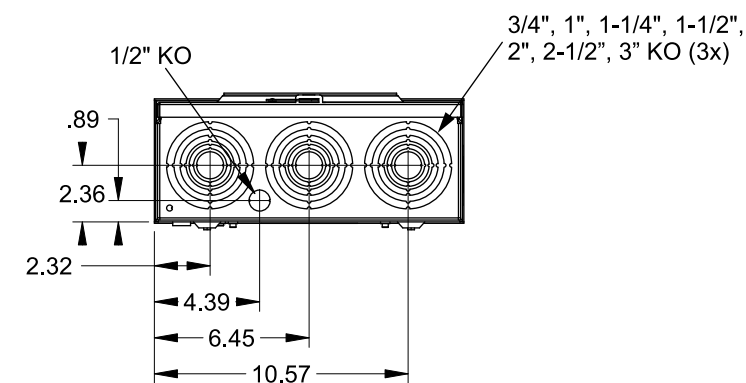
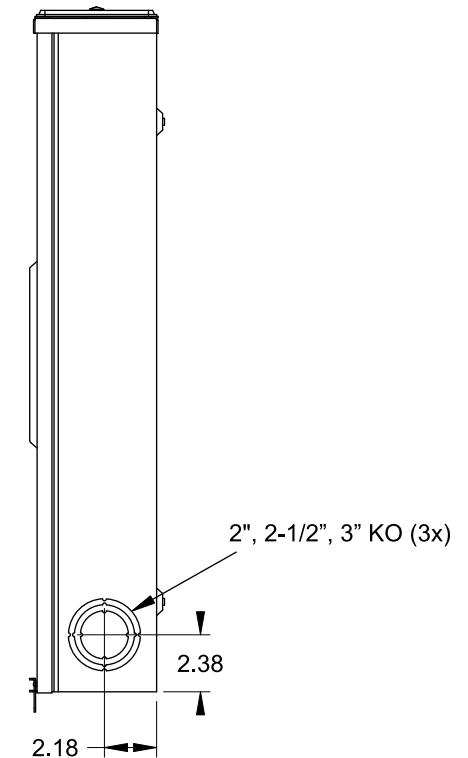
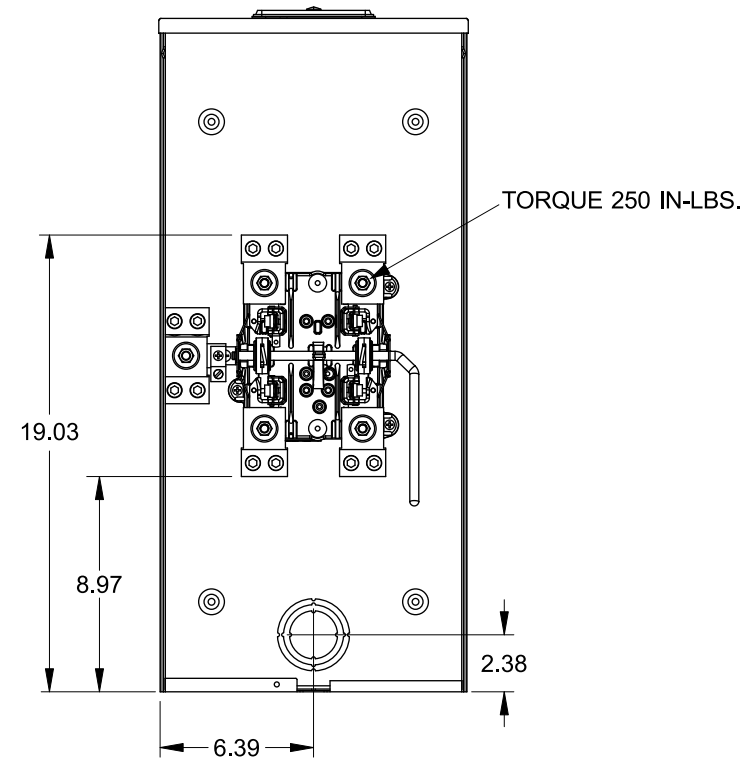
- Ringless Type Meter Socket
- 320A Continuous, 400A Max., 600V AC
- Outdoor Enclosure (NEMA Type 3R)
- Painted G90 Steel Enclosure
- 1 Phase, 3-Wire, Commercial Socket
- 4 Jaw Meter Socket
- Meter Socket Type HQ-4SU
- For Overhead & Underground Service
- HD Type Hub Opening w/Large Coverplate
- Lever Bypass
- Ground Lug Installed



LARGE COVERPLATE



VIEW SHOWN WITH COVER REMOVED



Accessories

CONDUIT HUBS (HD Type)	
TRADE SIZE	CATALOG No.
3 INCH	EC56856 or H56856-2
3-1/2 INCH	EC56857 or H56857-2
4 INCH	EC56858 or H56858-2
Hub Cover Plate	EC56933 or H56933S

Meter Opening Cover Plate

Cat No: H659-0162

5th Jaw Kit

Cat. No: EC35815-2

Connectors, Wire Sizes and Torques

CONNECTOR	PART No.	WIRE SIZE	HEX DRIVE	TORQUE
LINE/LOAD	56732	(2) #4 - 350 kcmil	5/16"	275 IN-LBS.
NEUTRAL	56732-1	(2) #4 - 350 kcmil	5/16"	275 IN-LBS.
GROUND	67554A	#14 - 2/0 AWG	..	50 IN-LBS.

© 2018 Copyright Siemens Industry, Inc.

TALON
Meter Socket

Description:
**320A Cont, 4 Jaw, HQ-4SU, 600V AC,
Ground Lug, Painted Steel Enclosure**

JEL 6/5/18 | DO NOT SCALE DRAWING | Dwg No: **47604-8203**