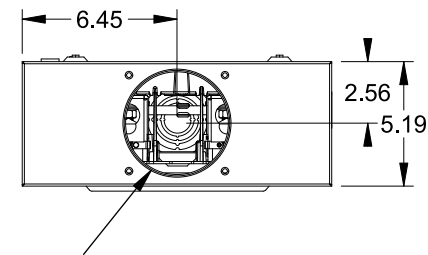


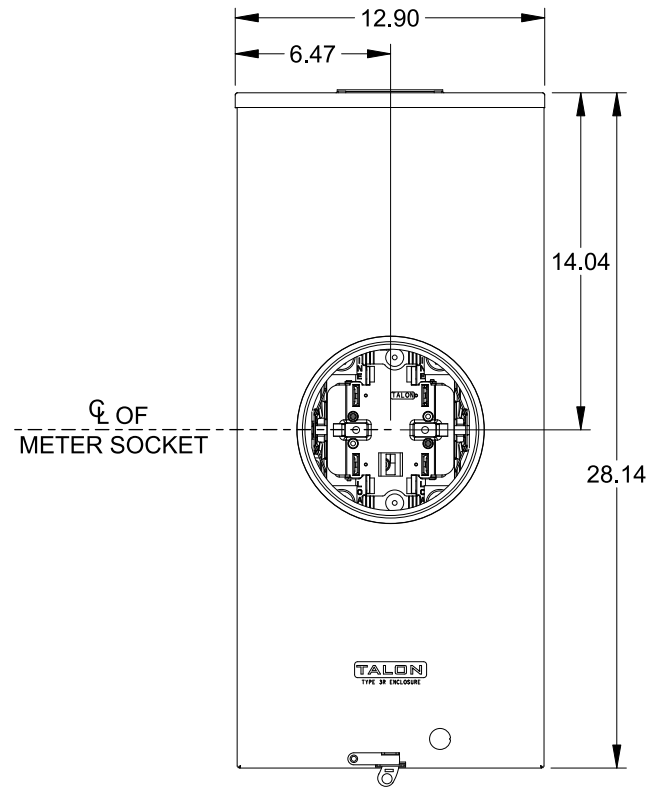
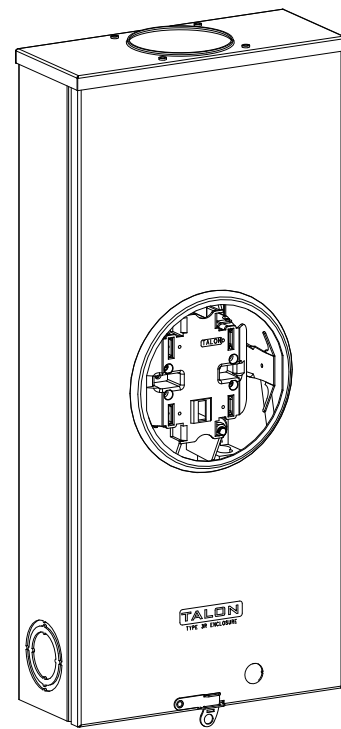
Catalog Number: 47604-81GP

Features and Ratings

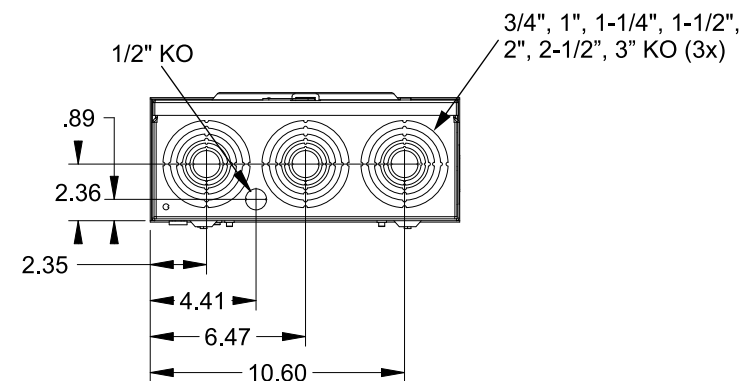
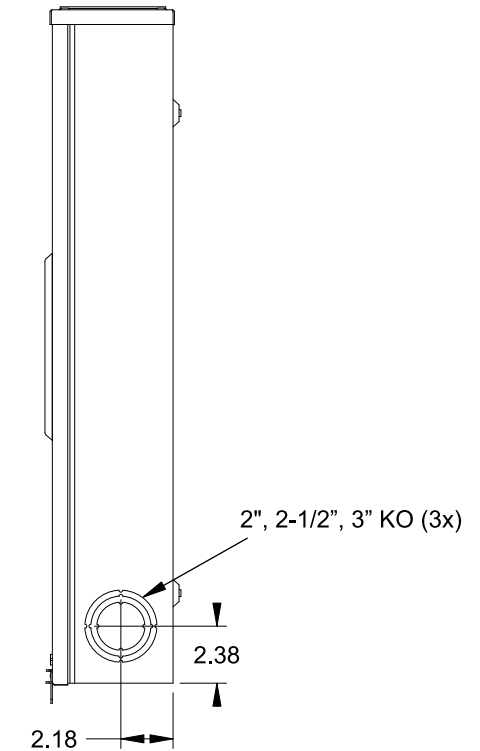
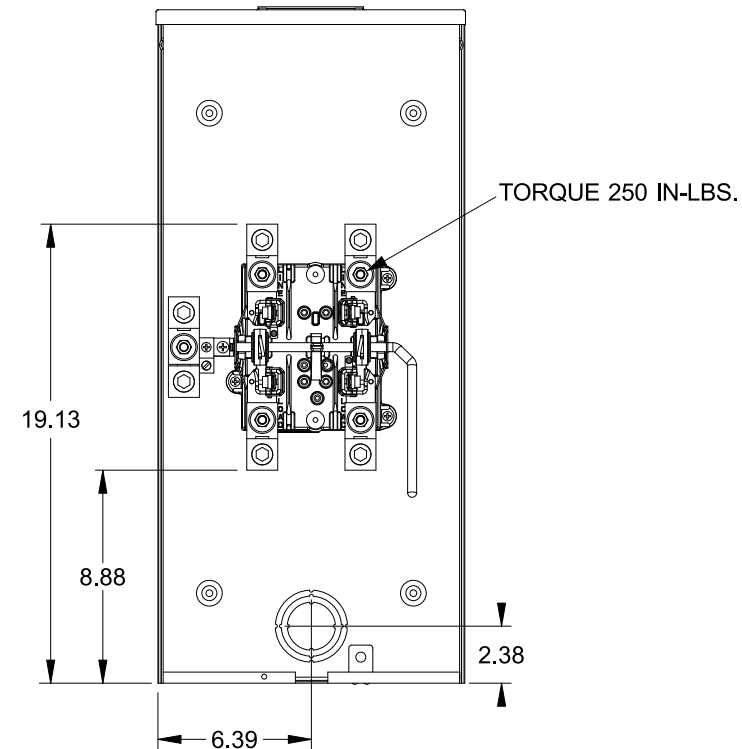
- Ringless Type Meter Socket
- 320A Continuous, 400A Max., 600V AC
- Outdoor Enclosure (NEMA Type 3R)
- Painted G90 Steel Enclosure
- 1 Phase, 3 Wire, Commercial Socket
- 4 Jaw Meter Socket
- Meter Socket Type HQ-4SUT
- For Overhead & Underground Service
- HD Type Hub Opening
- Lever Bypass
- 7/8" Barrel Lock Provision w/Bracket



TYPE HD (LARGE) HUB OPENING



VIEW SHOWN WITH COVER REMOVED



Accessories

CONDUIT HUBS (HD Type)	
TRADE SIZE	CATALOG No.
3 INCH	EC56856 or H56856-2
3-1/2 INCH	EC56857 or H56857-2
4 INCH	EC56858 or H56858-2
Hub Cover Plate	EC56933 or H56933S

Meter Opening Cover Plate

Cat No: H659-0162

5th Jaw Kit

Cat. No: EC35815-2

Connectors, Wire Sizes and Torques

CONNECTOR	PART No.	WIRE SIZE	HEX DRIVE	TORQUE
LINE/LOAD/NEUTRAL	60162	#4-600 kcmil/ (2) 1/0-250 kcmil	3/8"	375 IN-LBS.
GROUND	67554A	#14 - 2/0 AWG	..	50 IN-LBS.

© 2016 Copyright Siemens Industry, Inc.

TALON

Meter Socket

Description: **320A Cont, 4 Jaw, HQ-4SUT, 600V AC, Painted Steel Enclosure**

JEL 3/18/16 | DO NOT SCALE DRAWING | Dwg No: **47604-81GP**