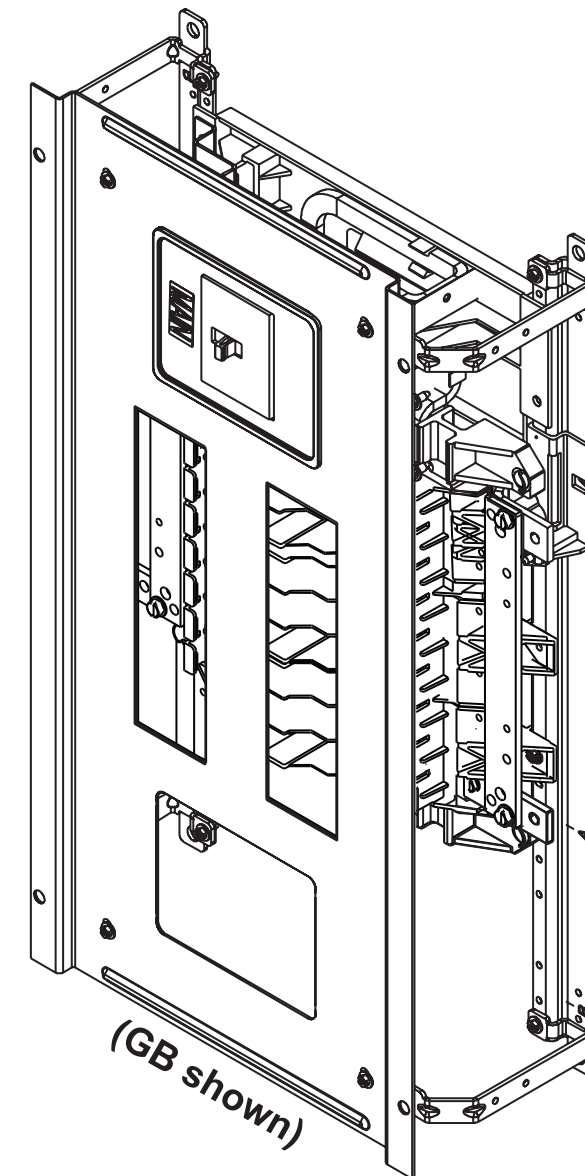


SIEMENS

P1-250 Panelboard Kit MBKBC1NBA & MBKBC3NBA BQD / GB Main/Subfeed Breaker & also for P1-400 Subfeed (for use in Revised P1 Panelboards ONLY)¹

Installation Instructions

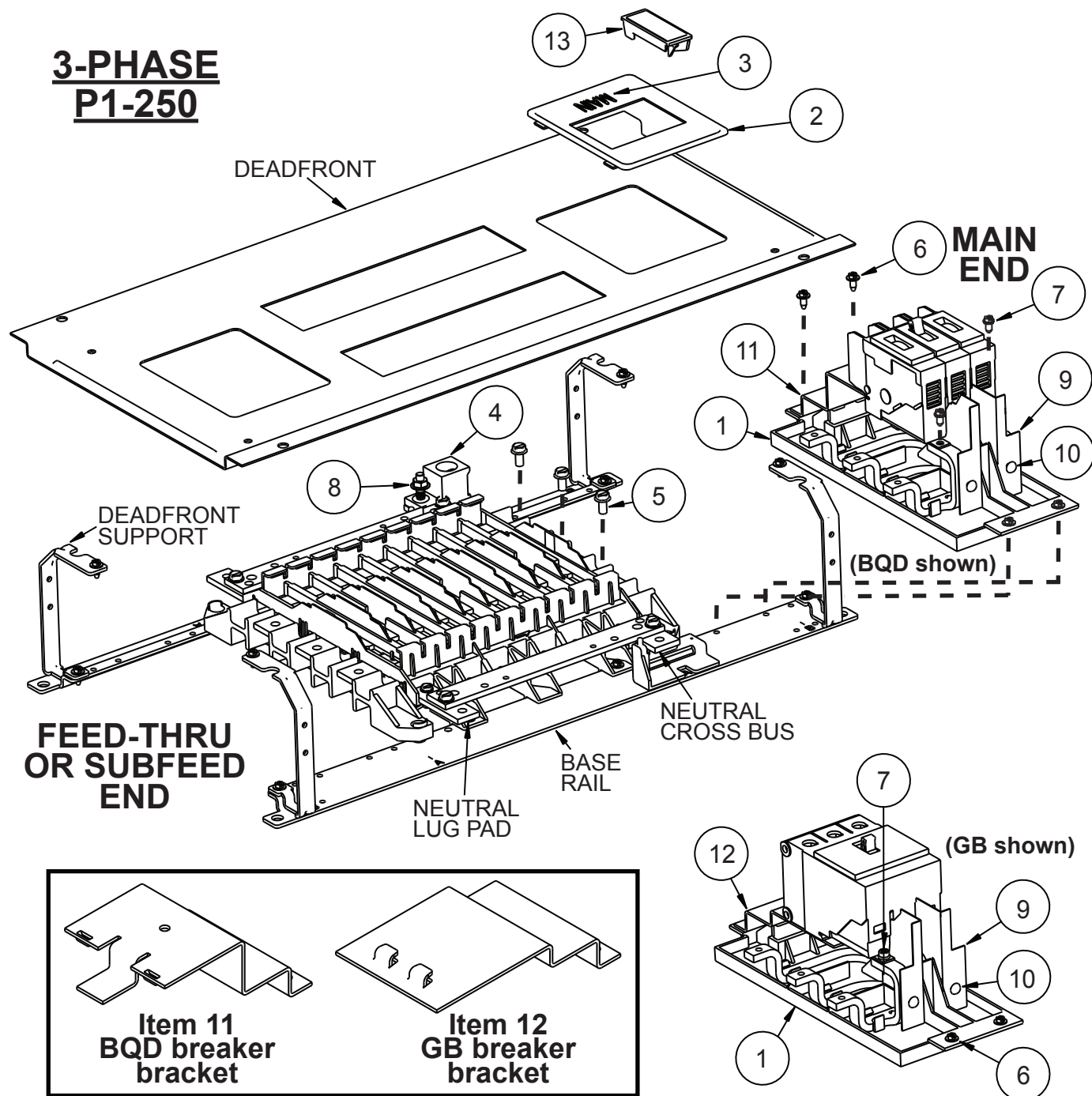


These instructions do not purport to cover all details or variations in equipment, or to provide for every possible contingency to be met in connection with installation, operation or maintenance. Should further information be desired or should particular problems arise, which are not covered sufficiently for the purchaser's purposes, the matter should be referred to the local Siemens sales office. The contents of this Instruction manual shall not become part of or modify any prior or existing agreement, commitment or relationship. The sales contract contains the entire obligation of Siemens. The warranty contained in the contract between the parties is the sole warranty of Siemens. Any statements contained herein do not create new warranties or modify the existing warranty.

Trademarks - Unless otherwise noted, all names identified by ® are registered trademarks of Siemens AG or Siemens Industry, Inc. The remaining trademarks in this publication may be trademarks whose use by third parties for their own purposes could violate the rights of the owner.

¹ To confirm, note the part number of the panel (marked on the interior label). If it ends in an "N" or a "T" it is a "Revised P1" and is compatible with this kit. (For example: P1E42MC250A is an Original P1; P1E42MC250AT is a Revised P1)

3-PHASE P1-250



THIS KIT CONTAINS THE FOLLOWING ITEMS:

ITEM	DESCRIPTION	QTY	TORQUE
1	BREAKER BARRIER ASSEMBLY	1	N/A
2	BREAKER ESCUTCHEON	1	N/A
3	MAIN LABEL	1	N/A
4	NEUTRAL LUG ASSEMBLY	1	N/A
5	1/4"-20 x 1/2" HEX HEAD SEMS* ASSEMBLY SCREW	**	72 lb-in
6	#10-24 x 7/16" SLOTTED HEX WASHER THREAD-FORMING SCREW	4	30 lb-in
7	#10-32 x 3/8" HEX HEAD SEMS* ASSEMBLY SCREW	**	20 lb-in
8	1/4"-20 BELLEVILLE WASHER NUT	1	72 lb-in
9	STRAP BARRIER, PHASE-TO-PHASE	***	N/A
10	PLASTIC TREE RIVET	***	N/A
11	BQD BREAKER SUPPORT BRACKET	1	N/A
12	GB BREAKER SUPPORT BRACKET	1	N/A
13	BLANK FILLER	1	N/A

* SEMS ASSEMBLY SCREWS HAVE A CAPTIVE WASHER ON THE SCREW

** (2) FOR 1Ø, (3) FOR 3Ø

*** (1) FOR 1Ø, (2) FOR 3Ø

Installation Instructions

The following instructions are for the installation of a Siemens main/subfeed breaker kit for Type **BQD** & **GB** breakers in Revised P1 Panelboards. The kit may be installed as a main or a subfeed in panels rated 250 amps or less. For panels above 250 amps, it may be installed in subfeed applications ONLY (see drawing below). The parts provided in this kit are for connection to a 1-phase 2 or 3-wire system in kit **MBKBC1NBA** or for connection to a 3-phase 3 or 4-wire system in kit **MBKBC3NBA**. The breaker is **NOT** included with this kit and must be purchased separately. Be sure to choose the appropriate breaker for the system in use. For systems with no neutrals, disregard the neutral connection.



1. Lock off all power supplying this equipment before working on it.
2. Remove the deadfront.
7. Torque all connections to the values specified on the Hardware Tightening Torque label affixed to the rear of the deadfront.

For installation as a main breaker*:

* For 250A panels ONLY

3. To install this kit for main breaker use, remove the main lugs (if installed).
4. Position the breaker barrier assembly (Item 1) at the MAIN END of the panel. Ensure the straps are properly snapped into the barrier and then align them with the panel bus. Secure the straps to the phase bus with 1/4"-20 SEMS screws (Item 5). Position the breaker support bracket (Item 11 or 12; based on breaker type) onto the end of the breaker barrier assembly opposite the breaker connection points so that the holes align. Then secure the barrier and bracket to the base rails with two #10-24 thread-forming screws (Item 6). Secure the other side with two screws as well. Do not tighten at this time.
5. Assemble the breaker (purchased separately) onto the breaker barrier assembly by:
BQD breaker: locating the breaker base flatly onto the bottom tab of the bracket (Item 11) and slide towards the bracket mounting screws til it stops.
GB breaker: locating the breaker base flatly onto the bracket (Item 12) and sliding it against the raised tabs away from the bracket mounting screws so the tabs engage the breaker recesses. Then use #10-32 x 3/8" SEMS screws (Item 7) to secure the breaker to the connectors.
6. On 1-phase 3-wire and 3-phase 4-wire systems the neutral lug assembly (Item 4) is required. The neutral lug assembly arrives in the kit ready to assemble at any open corner. Ideally, locate the neutral lug assembly at the corner closest to where the cables will terminate into the breaker. Install by positioning it below the neutral cross bus, inserting the exposed stud through the appropriate hole and securing with a 1/4"-20 Belleville washer nut (Item 8).
7. Attach the main cables to the breaker and neutral terminal and torque connections to values specified on the device. If no values are listed on the device, refer to the Hardware Tightening Torque label affixed to the rear of the deadfront.
8. Strap barrier(s) (Item 9) **MUST** be used. This kit ships with barrier(s) pre-installed to the breaker barrier assembly. However, if one or both of the barriers is loose, they **MUST** be re-installed. To install, fold the barrier at its crease, then slide it onto the barrier pan ensuring that the bottom fits in-between the two walls and that the top slides into the notch in the breaker face. Secure by pushing in the plastic rivet (Item 10) through the barrier and into the hole in the strap. If necessary, install the other barrier similarly, except fold the crease in the opposite direction.
9. Remove the blank filler or escutcheon installed on any deadfront opening in the area that will cover this kit. Install the escutcheon (Item 2) provided with this kit into the front of the deadfront as shown. NOTE: If installing a 2-pole breaker, use the blank filler (Item 13) by inserting it into the open spot on the breaker escutcheon (Item 2).
10. For main breaker applications, apply the "MAIN" label (Item 3) to the breaker escutcheon as shown.
11. Before energizing the panel, ensure that all connections have been properly torqued, that the deadfront is installed and that all fillers are in place.

For installation as a subfeed breaker**:

** For panels with feed-thru or subfeed space ONLY

12. Follow Steps 1 through 11, except that the kit must be installed at the feed-thru or subfeed end of the panel and any pre-existing assembly at that location must be removed prior to installation of this kit. In addition, do NOT install the "MAIN" label. **Finish with Step 12.**

