

## Features and Ratings

- MODULE RATING: 400 AMPS, 240V AC MAX.,
- 3 PHASE
- 100,000 AIC RATING MAX, SEE DIAGRAM FOR DETAILS
- TYPE 3R OUTDOOR ENCLOSURE
- FOR OVERHEAD OR UNDERGROUND SERVICE
- MOUNTING RAILS AND ADJUSTABLE BRACKETS FOR SECURE MOUNTING

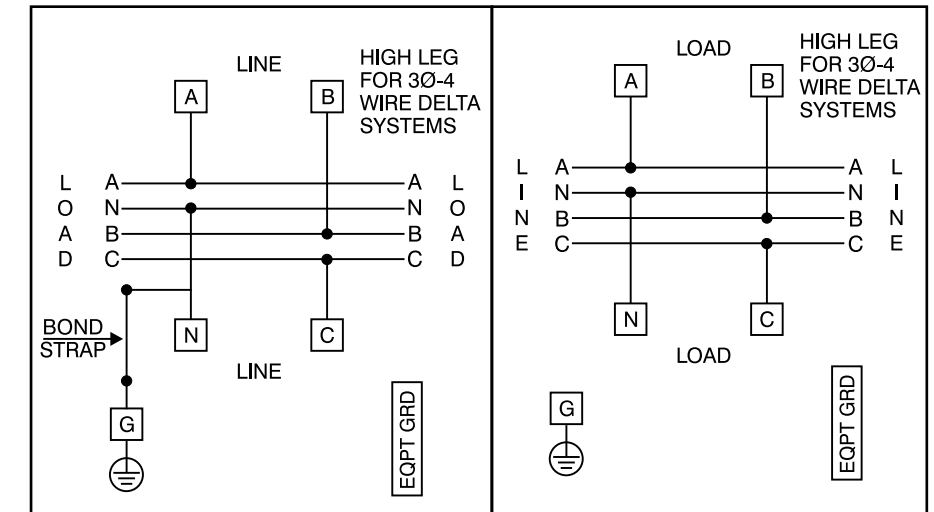


## Lug Kits and Replacement Parts

Lugs for Phase and Neutral Connections (not supplied)					
Lug No. ①	MFG	Wire Range	Type	No. Wires per phase	Torque (lb.-in.)
LK31600N2	Siemens	#2-600 kcmil	Mechanical	1	500
LK32500N2	Siemens	1/0-500 kcmil	Mechanical	2	500
LK31750N2	Siemens	300-750 kcmil	Mechanical	1	500
2ACL-500	ILSCO	500 kcmil	Compression	2	NA ②
2ACL-600	ILSCO	600 kcmil	Compression	1	NA ②

- ① Order one mechanical lug kit for mains and neutral. Contact lug manufacturer for compression lug quantities supplied for each kit.  
 ② See lug manufacturer's instruction sheet supplied with the connector for tool, die, and number of crimps.

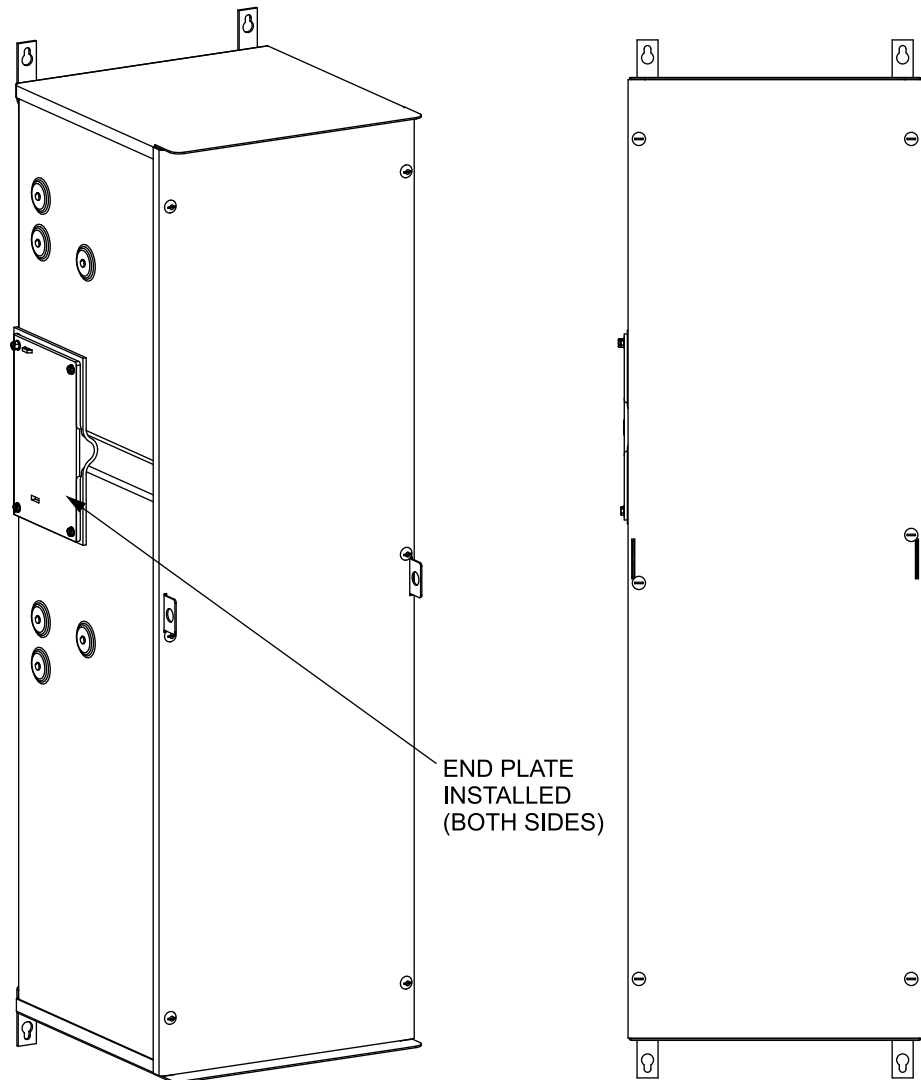
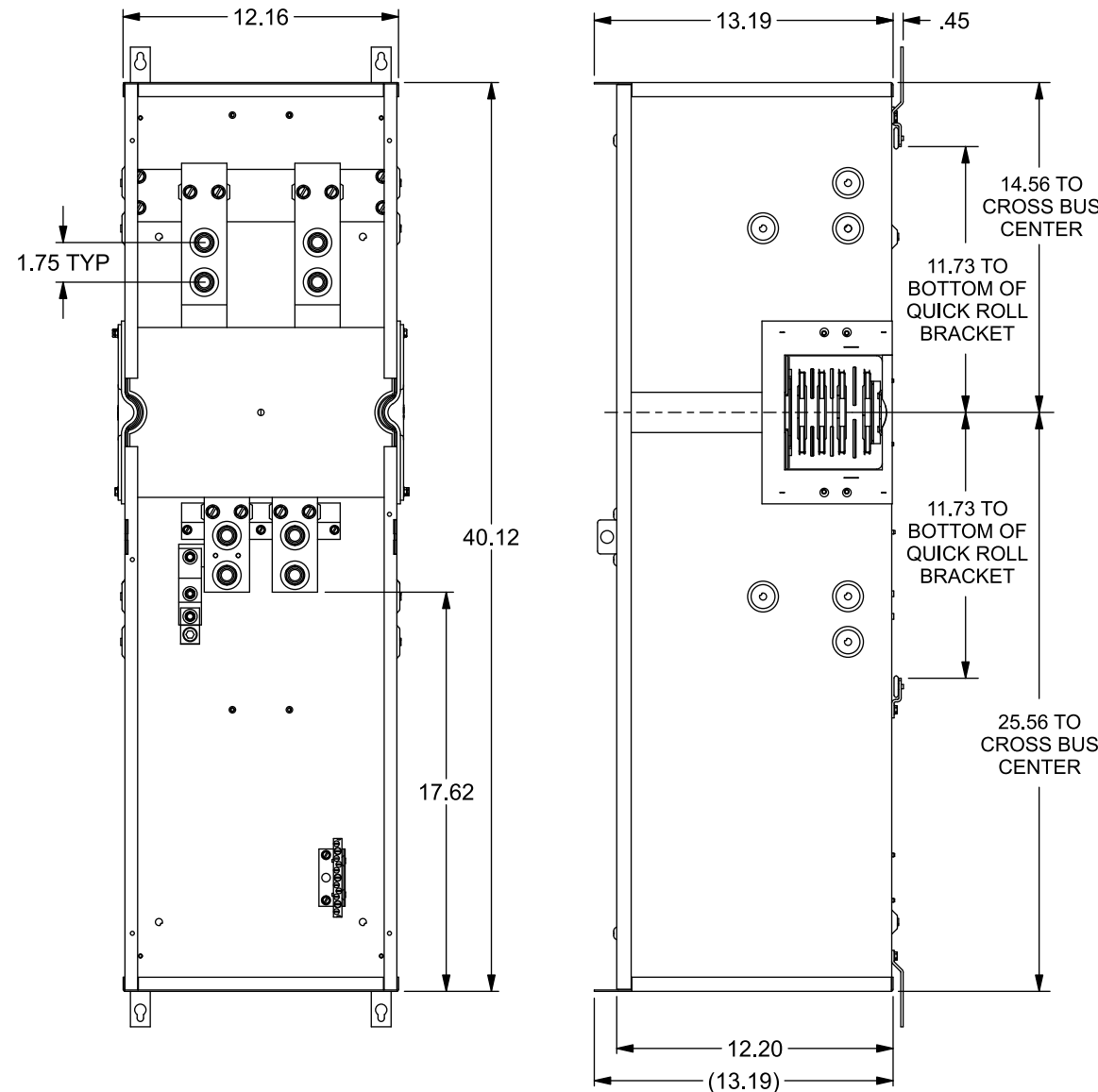
## Schematic



**Terminals A, B, C, and N:**  
See Lug Chart for applicable lug kits, wire size and torque information.

**Ground Terminal G:** Wire size #4-300 kcmil.  
Torque terminal to 250 lb.-in.

### VIEW SHOWN WITHOUT COVER



END PLATE  
INSTALLED  
(BOTH SIDES)

## Additional Modules

**IMPORTANT - for use with:**

Module Description	Siemens Series#
Main Breakers	WB(M), WEB(M), WXB, BFT
Switches	WMP, WS, WES, WXS
Tap/Terminal Boxes	WTB, WET, WT_PU, WTBN, WBT
Pull Boxes	WMMB
Meter Module	(W)MM, (W)MT, (W)ML, (W)MK, (W)MLZ(F), (W)MN
Meter Combinations	WC, WCL, WCT,
Extension Box	WSP, WSPD
Bussed Elbow	BE, WELB

**Connect Modules Using:** Cat. No. Torque  
 Quick Connect QC4 400-440 lb-in (35-36 ft.-lb.)

## Accessories

Siemens Accessories	Catalog Number
HD Hub Cover Plate	EC56933S
Type HD Hub 2"	EC56854
Type HD Hub 2-1/2"	EC56855
Type HD Hub 3"	EC56856
Type HD Hub 3-1/2"	EC56857
Type HD Hub 4"	EC56858

© 2018 Copyright Siemens Industry, Inc.

**SIEMENS**  
Siemens Industry, Inc.

### PowerMod™ Tap Boxes

Description: **400A, 3 Phase, OH/UG Tap Box w/No Hub Provisions**

KAM 1/31/18 DO NOT SCALE DRAWING Dwg No: **WTB3400CUNH**

**Catalog No. WTB3400CUNH**