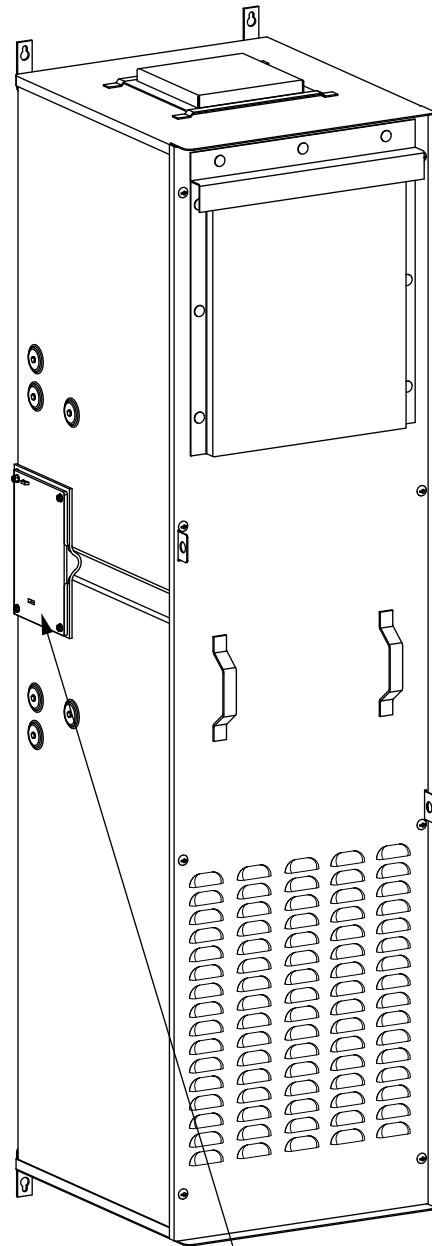
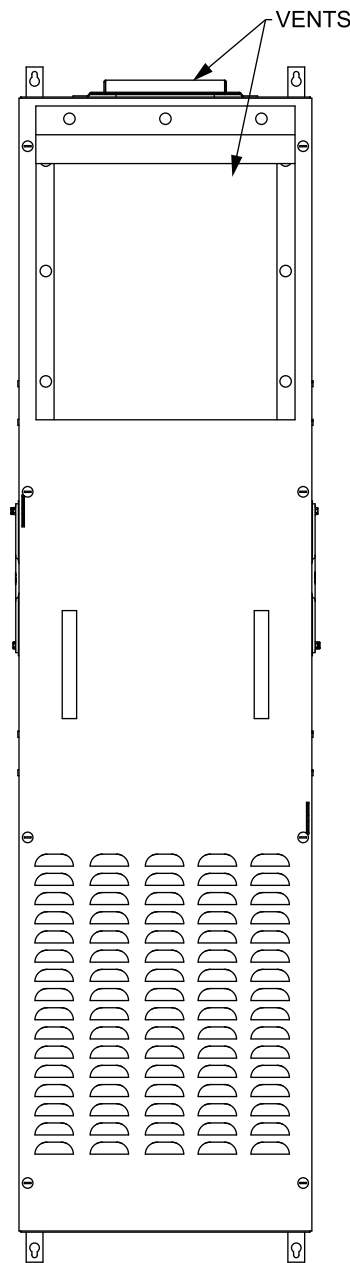


## Features and Ratings

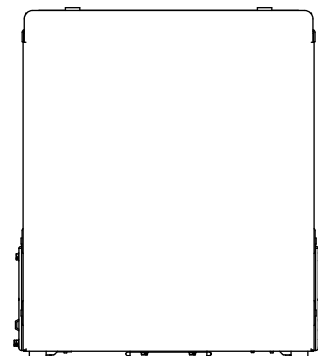
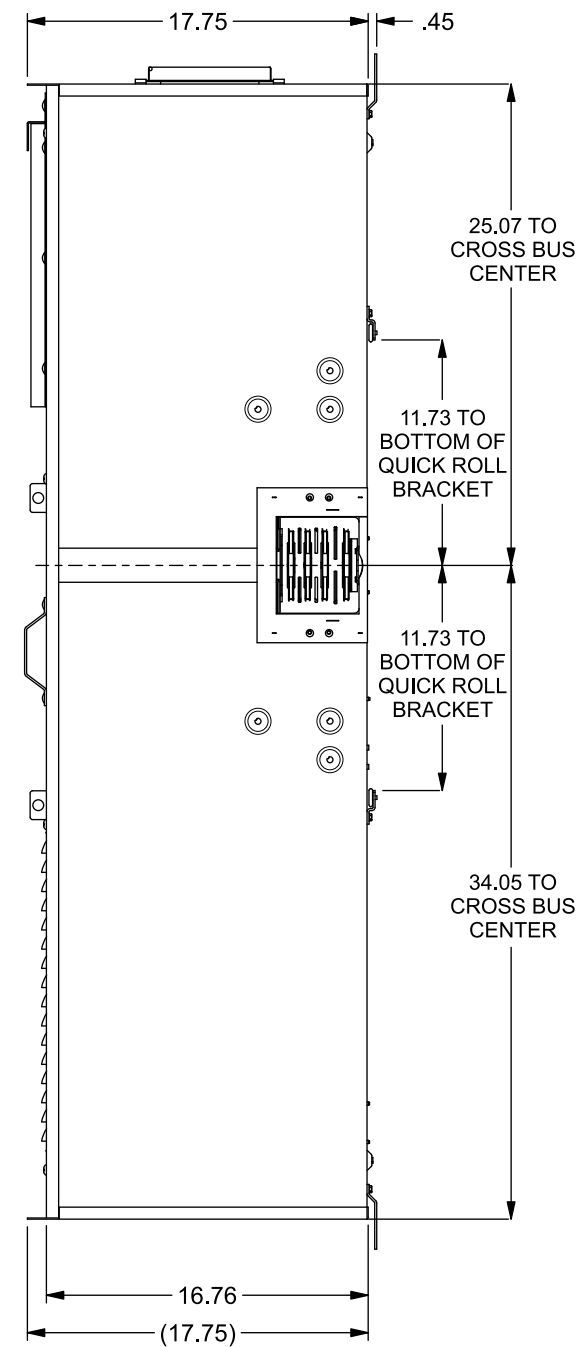
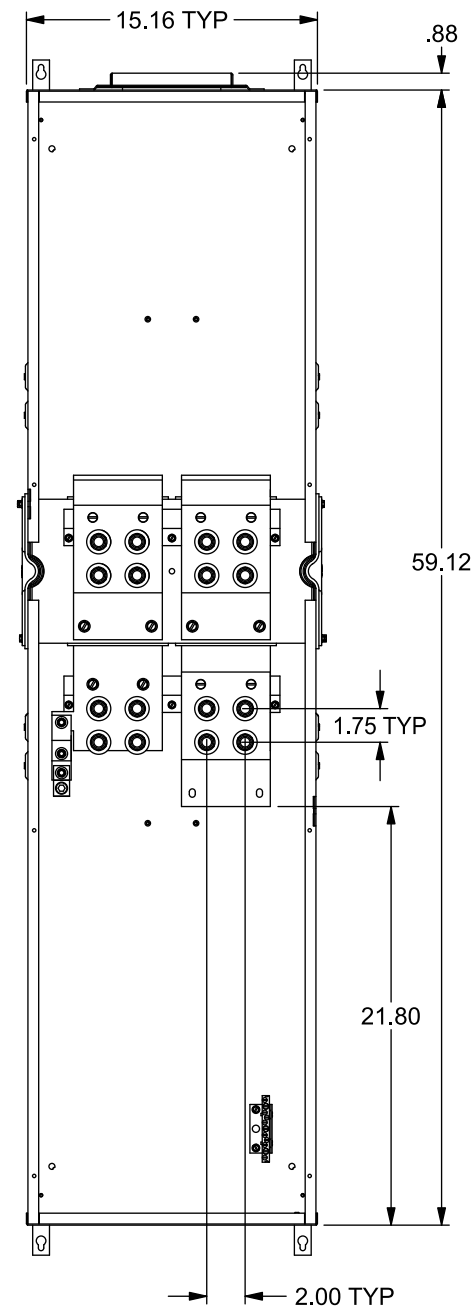
- MODULE RATING: 1200 AMPS, 240V AC MAX.,
- 3 PHASE
- 100,000 AIC RATING MAX, SEE DIAGRAM FOR DETAILS
- TYPE 3R OUTDOOR ENCLOSURE
- FOR OVERHEAD OR UNDERGROUND SERVICE
- MOUNTING RAILS AND ADJUSTABLE BRACKETS FOR SECURE MOUNTING



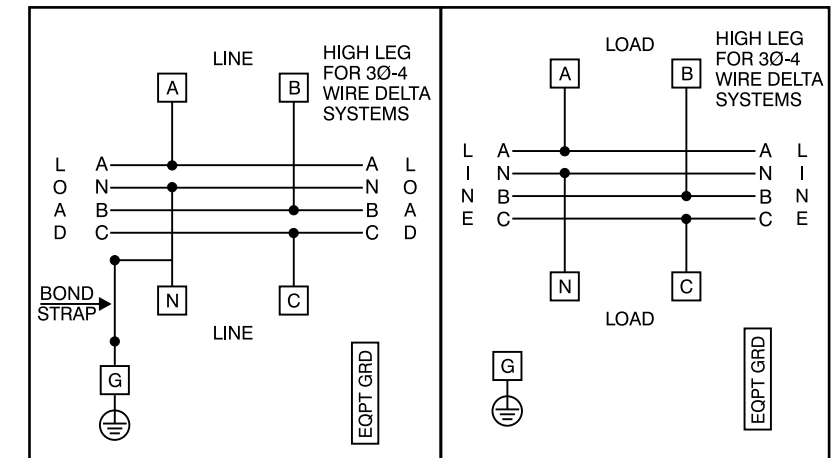
END PLATE  
INSTALLED  
(BOTH SIDES)



### VIEW SHOWN WITHOUT COVER



## Schematic



**Terminals A, B, C, and N:**  
See Lug Chart for applicable lug kits, wire size and torque information.

**Ground Terminal G:** Wire size #4-300 kcmil. Torque terminal to 250 lb.-in.

## Lug Kits and Replacement Parts

Lugs for Phase and Neutral Connections (not supplied)					
Lug No.	MFG	Wire Range	Type	No. Wires per phase	Torque (lb.-in.)
LK33750N2	Siemens	300-750 kcmil	Mechanical	3	500 ②
LK34500N2	Siemens	1/0-500 kcmil	Mechanical	4	500
2ACL-500	ILSCO	500 kcmil	Compression	4	NA ③
2ACL-750	ILSCO	750 kcmil	Compression	3	NA ③

- ① Order one mechanical lug kit for mains and neutral. Contact lug manufacturer for compression lug quantities supplied for each kit.
- ② Kit contains more than one lug type.
- ③ See lug manufacturer's instruction sheet supplied with the connector for tool, die, and number of crimps.

## Additional Modules

**IMPORTANT - for use with:**

Module Description	Siemens Series#
Main Breakers	WB(M), WEB(M), WXB, BFT
Switches	WMP, WS, WES, WXS
Tap/Terminal Boxes	WTB, WET, WT_PU, WTBN, WBT
Pull Boxes	WMMB
Meter Module	(W)MM, (W)MT, (W)ML, (W)MK, (W)MLZ(F), (W)MN
Meter Combinations	WC, WCL, WCT,
Extension Box	WSP, WSPD
Bussed Elbow	BE, WELB

**Connect Modules Using:** **Cat. No.** **Torque**  
Quick Connect QC4 400-440 lb-in (35-36 ft.-lb.)

## Accessories

Siemens Accessories	Catalog No.	Siemens Accessories	Catalog No.
RX Hub Cover Plate	EC38595	HD Hub Cover Plate	EC56933S
Type RX Hub 3/4"	EC38594	Type HD Hub 2"	EC56854
Type RX Hub 1"	EC38596	Type HD Hub 2-1/2"	EC56855
Type RX Hub 1-1/4"	EC38597	Type HD Hub 3"	EC56856
Type RX Hub 1-1/2"	EC38598	Type HD Hub 3-1/2"	EC56857
		Type HD Hub 4"	EC56858

© 2018 Copyright Siemens Industry, Inc.

**SIEMENS**  
Siemens Industry, Inc.

**PowerMod™ Tap Boxes**

Description: **1200A, 3 Phase, OH/UG  
Tap Box w/No Hub Provisions**

KAM 1/31/18 DO NOT SCALE DRAWING Dwg No: **WTB31200CUNH**

**Catalog No. WTB31200CUNH**