

Features and Ratings



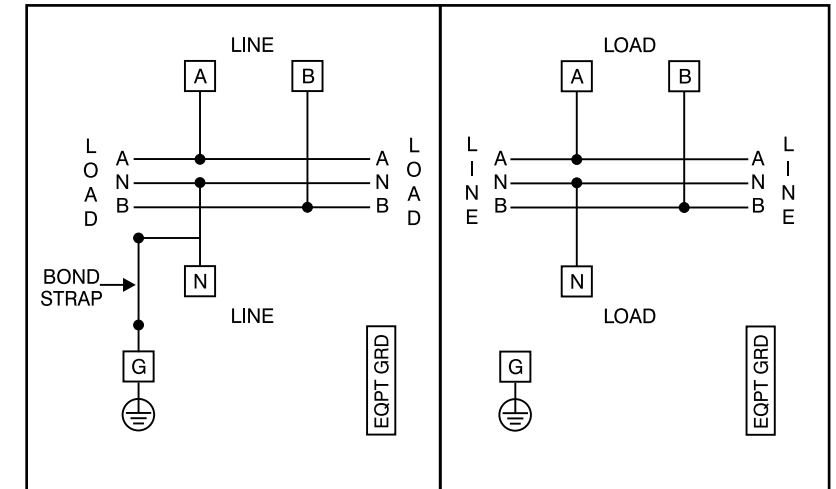
- MODULE RATING: 1600 AMPS, 240V AC MAX.,
- MAIN BUS RATING: 1200 AMPS MAX (1200A MAX FEED PER SIDE)
- 1 PHASE
- 100,000 AIC RATING MAX, SEE DIAGRAM FOR DETAILS
- TYPE 3R OUTDOOR ENCLOSURE
- FOR OVERHEAD OR UNDERGROUND SERVICE
- MOUNTING RAILS AND ADJUSTABLE BRACKETS FOR SECURE MOUNTING

Lug Kits and Replacement Parts

| Lugs for Phase and Neutral Connections (not supplied) | | | | | |
|---|---------|---------------|-------------|---------------------|------------------|
| Lug No. ① | MFG | Wire Range | Type | No. Wires per phase | Torque (lb.-in.) |
| LK15750N2 | Siemens | 300-750 kcmil | Mechanical | 5 | 500 ② |
| LK15600N2 | Siemens | 1/0-600 kcmil | Mechanical | 5 | 500 ② |
| LK16750N2 | Siemens | 1/0-750 kcmil | Mechanical | 6 | 500 |
| 2ACL-600 | ILSCO | 600 kcmil | Compression | 5 | NA ③ |
| 2ACL-750 | ILSCO | 750 kcmil | Compression | 5 | NA ③ |

- ① Order one mechanical lug kit for mains and neutral. Contact lug manufacturer for compression lug quantities supplied for each kit.
 ② Kit contains more than one lug type.
 ③ See lug manufacturer's instruction sheet supplied with the connector for tool, die, and number of crimps.

Schematic



Terminals A, B, and N:
See Lug Chart for applicable lug kits, wire size and torque information.

Ground Terminal G: Wire size #4-300 kcmil.
Torque terminal to 250 lb.-in.

Additional Modules

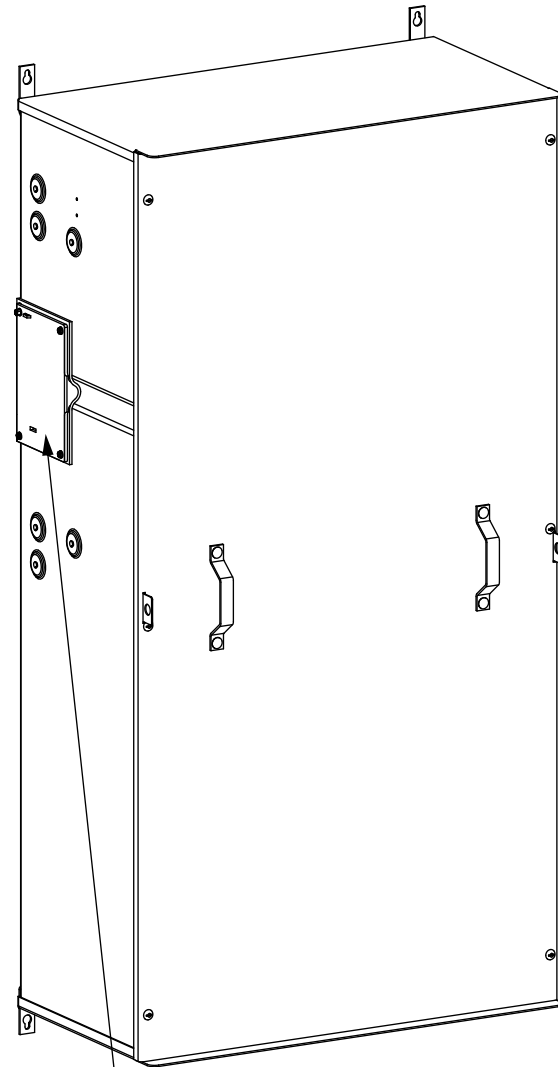
IMPORTANT - for use with:

| Module Description | Siemens Series# |
|--------------------|--|
| Main Breakers | WB(M), WEB(M), WXB, BFT |
| Switches | WMP, WS, WES, WXS |
| Tap/Terminal Boxes | WTB, WET, WT_PU, WTBN, WBT |
| Pull Boxes | WMMB |
| Meter Module | (W)MM, (W)MT, (W)ML, (W)MK, (W)MLZ(F), (W)MN |
| Meter Combinations | WC, WCL, WCT, |
| Extension Box | WSP, WSPD |
| Bussed Elbow | BE, WELB |

Connect Modules Using: Cat. No. Torque
 Quick Connect QC1 400-440 lb-in (35-36 ft.-lb.)

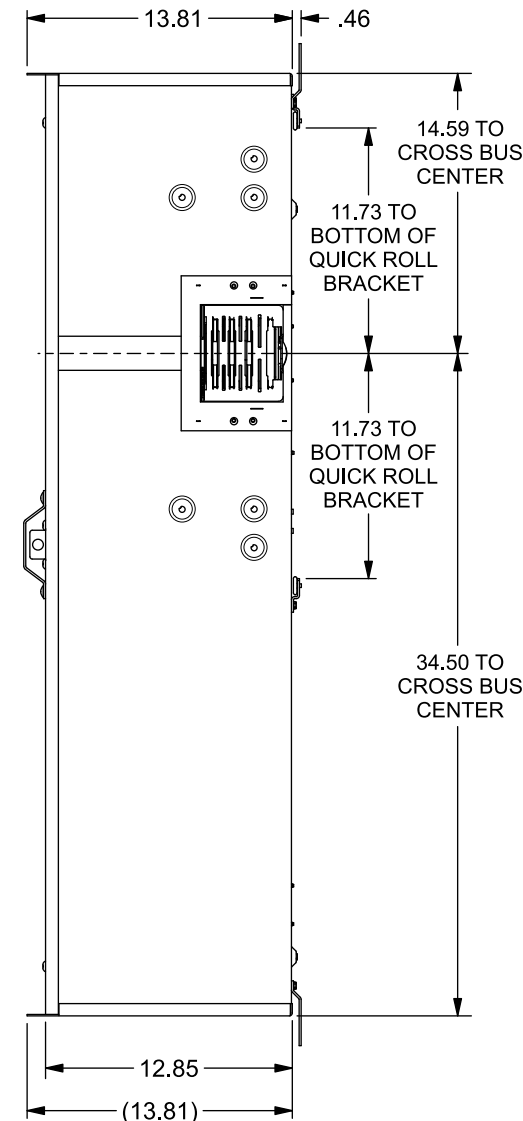
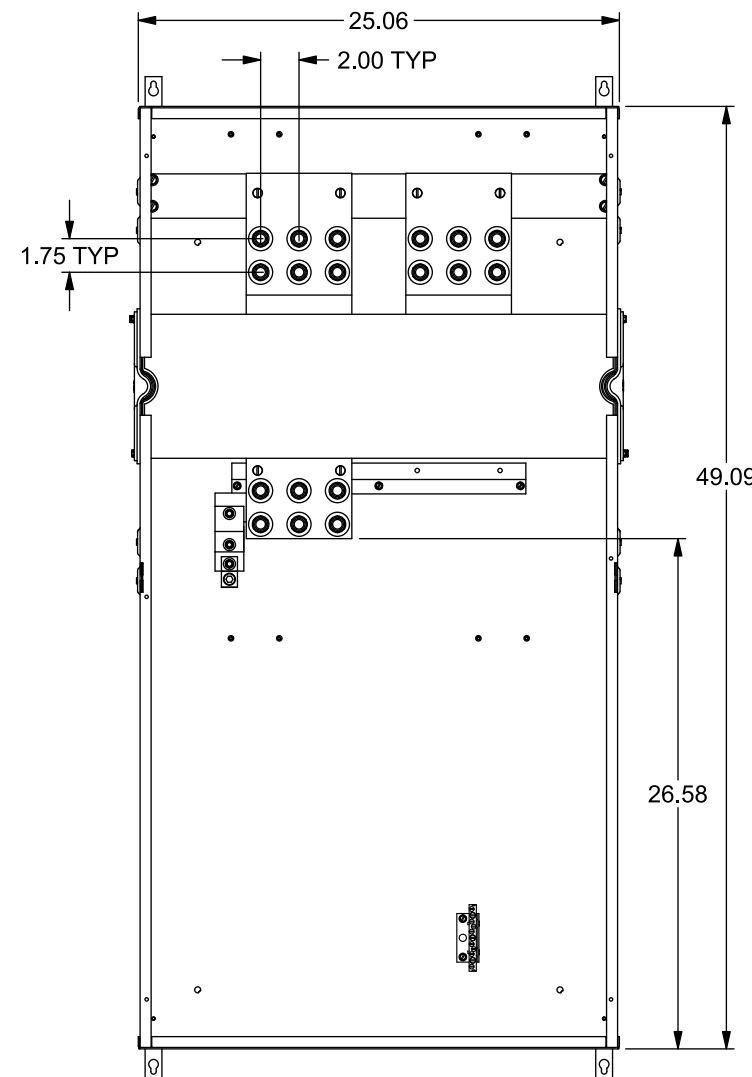
Accessories

| Siemens Accessories | Catalog No. | Siemens Accessories | Catalog No. |
|---------------------|-------------|---------------------|-------------|
| RX Hub Cover Plate | EC38595 | HD Hub Cover Plate | EC56933S |
| Type RX Hub 3/4" | EC38594 | Type HD Hub 2" | EC56854 |
| Type RX Hub 1" | EC38596 | Type HD Hub 2-1/2" | EC56855 |
| Type RX Hub 1-1/4" | EC38597 | Type HD Hub 3" | EC56856 |
| Type RX Hub 1-1/2" | EC38598 | Type HD Hub 3-1/2" | EC56857 |
| | | Type HD Hub 4" | EC56858 |



END PLATE
INSTALLED
(BOTH SIDES)

VIEW SHOWN WITHOUT COVER



Catalog No. WTB11600CUNH

© 2018 Copyright Siemens Industry, Inc.

SIEMENS
Siemens Industry, Inc.

PowerMod™ Tap Boxes

Description: **1600A, 1 Phase, OH/UG
Tap Box w/No Hub Provisions**

KAM 1/31/18 DO NOT SCALE DRAWING Dwg No. **WTB11600CUNH**