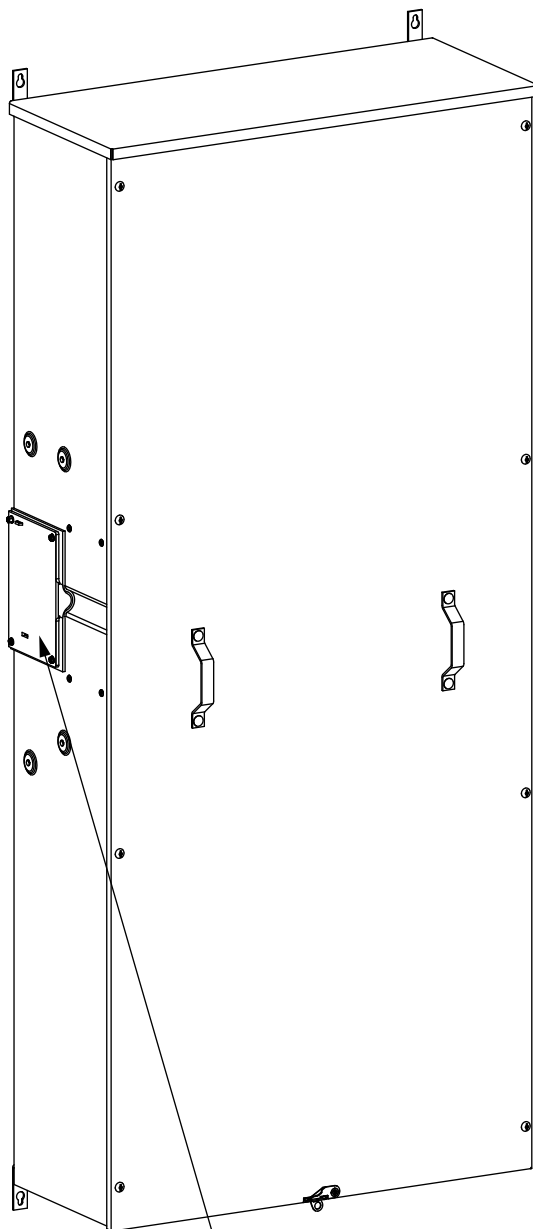
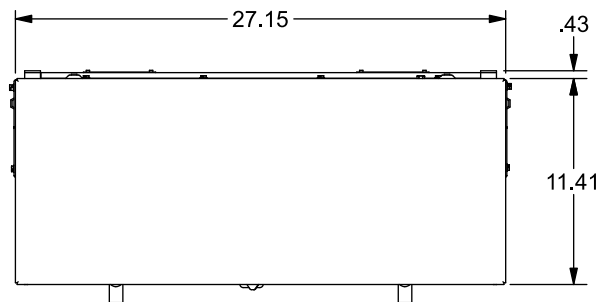
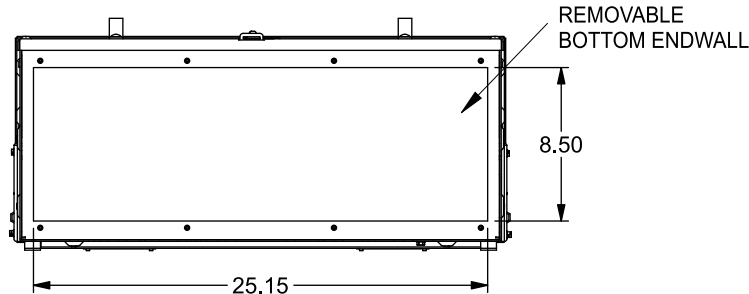
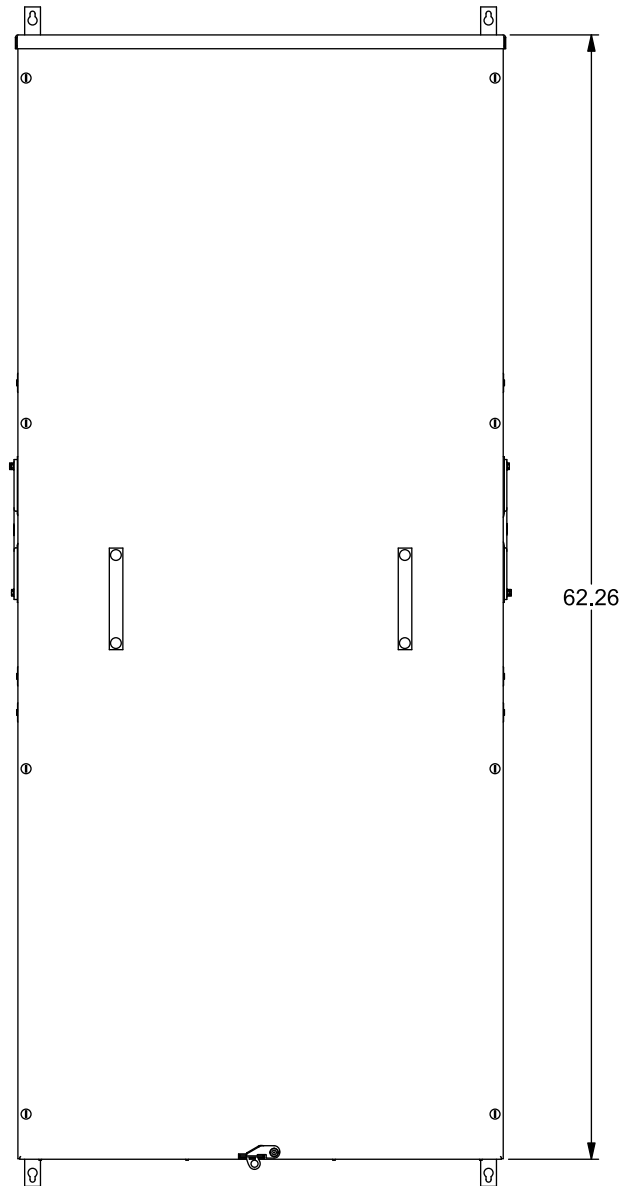


Features and Ratings

- MODULE RATING: 800 AMPS, 240V AC MAX.,
- 3 PHASE
- 100,000 AIC RATING MAX,
SEE DIAGRAM FOR DETAILS
- TYPE 3R OUTDOOR ENCLOSURE
- FOR OVERHEAD OR UNDERGROUND SERVICE
- MOUNTING RAILS AND ADJUSTABLE BRACKETS
FOR SECURE MOUNTING



END PLATE
INSTALLED
(BOTH SIDES)

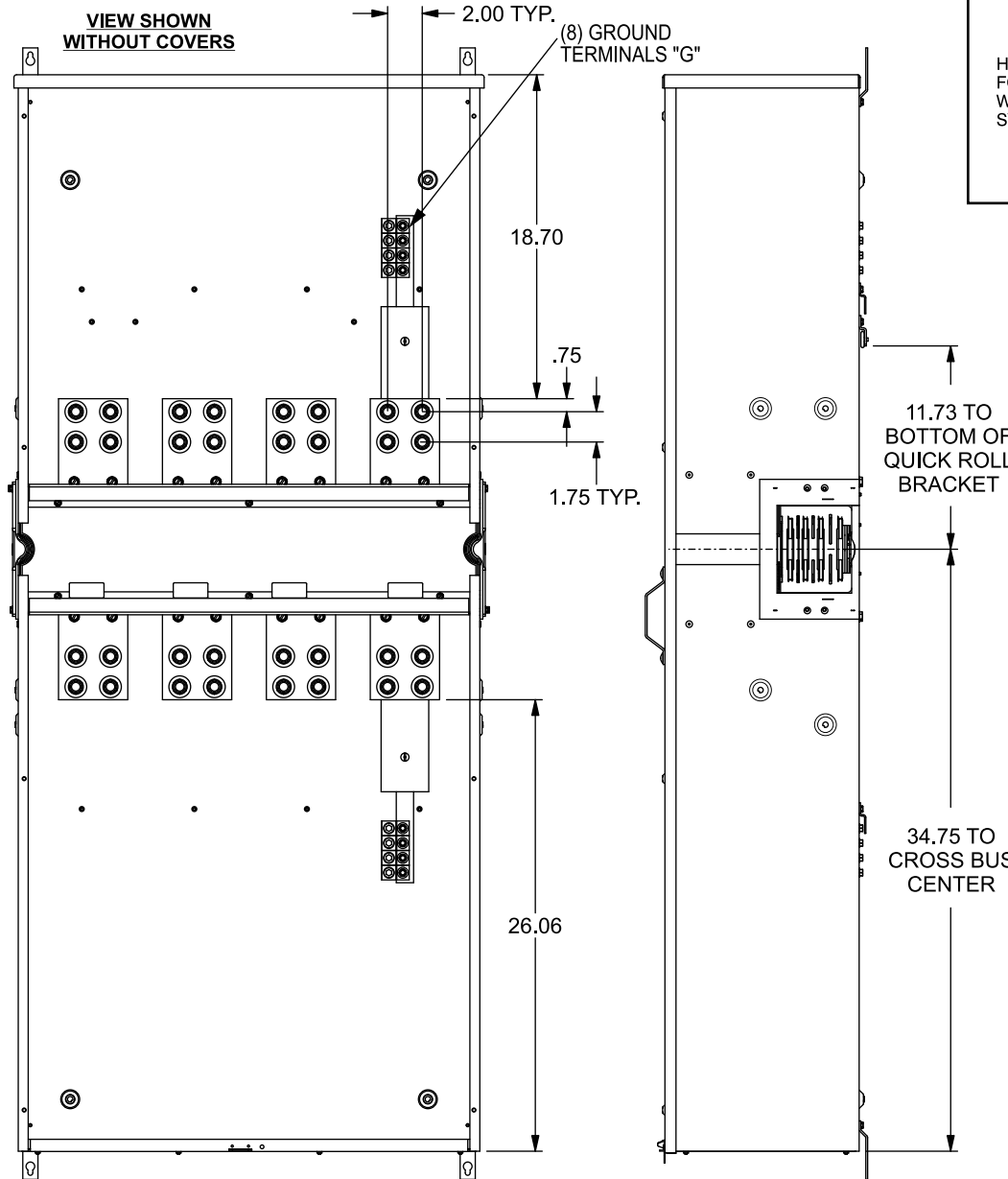


REMOVABLE
BOTTOM ENDWALL

Lug Kits and Replacement Parts

| Lugs for Phase and Neutral Connections (not supplied) | | | | | | |
|---|---|---------|---------------|-------------|---------------------|------------------|
| Lug No. | ① | MFG | Wire Range | Type | No. Wires per phase | Torque (lb.-in.) |
| LK32600N2 | | Siemens | #2-600 kcmil | Mechanical | 2 | 500 |
| LK32750N2 | | Siemens | 300-750 kcmil | Mechanical | 2 | 500 |
| LK33500N2 | | Siemens | 1/0-500 kcmil | Mechanical | 3 | 500 ② |
| LK34500N2 | | Siemens | 1/0-500 kcmil | Mechanical | 4 | 500 |
| 2ACL-500 | | ILSCO | 500 kcmil | Compression | 3 | NA ③ |
| 2ACL-600 | | ILSCO | 600 kcmil | Compression | 2 | NA ③ |
| 2ACL-750 | | ILSCO | 750 kcmil | Compression | 2 | NA ③ |

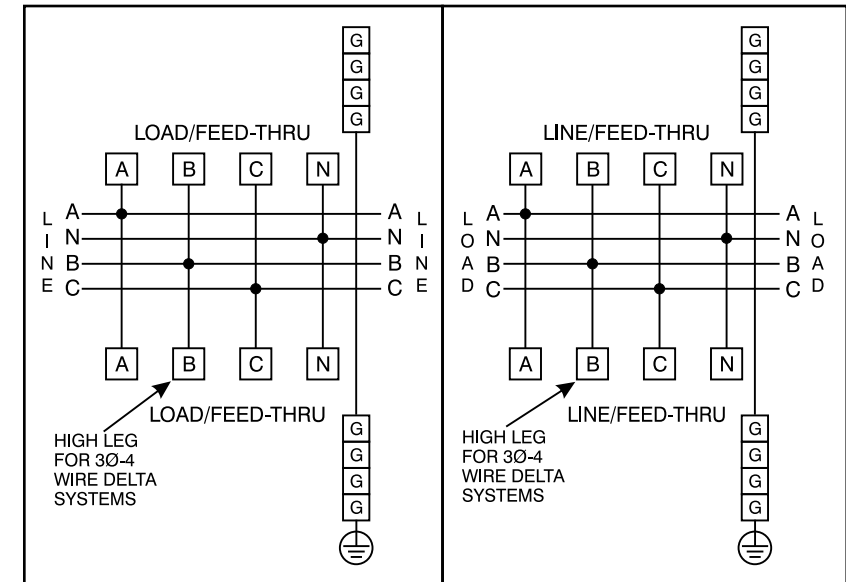
- ① Order one mechanical lug kit for mains and neutral. Contact lug manufacturer for compression lug quantities supplied for each kit.
- ② Kit contains more than one lug type.
- ③ See lug manufacturer's instruction sheet supplied with the connector for tool, die, and number of crimps.



VIEW SHOWN
WITHOUT COVERS

(8) GROUND
TERMINALS "G"

Schematic



Terminals A, B, C and N:
See Lug Chart for applicable lug kits, wire size and torque information.

Ground Terminal G: Wire size #4-300 kcmil.
Torque terminal to 250 lb.-in.

Additional Modules

IMPORTANT - for use with:

| Module Description | Siemens Series# |
|--------------------|--|
| Main Breakers | WB(M), WEB(M), WXB, BFT |
| Switches | WMP, WS, WES, WXS |
| Tap/Terminal Boxes | WTB, WET, WT_PU, WTBN, WBT |
| Pull Boxes | WMMB |
| Meter Module | (W)MM, (W)MT, (W)ML, (W)MK, (W)MLZ(F), (W)MN |
| Meter Combinations | WC, WCL, WCT, |
| Extension Box | WSP, WSPD |
| Bussed Elbow | BE, WELB |

Connect Modules Using: Cat. No. Torque
Quick Connect QC4 400-440 lb-in (35-36 ft.-lb.)

Accessories

| Siemens Accessories | Catalog Number |
|---------------------|----------------|
| Hub Cover Plate | EC56933S |
| Type HD Hub 2" | EC56854 |
| Type HD Hub 2-1/2" | EC56855 |
| Type HD Hub 3" | EC56856 |
| Type HD Hub 3-1/2" | EC56857 |
| Type HD Hub 4" | EC56858 |

© 2018 Copyright Siemens Industry, Inc.

SIEMENS
Siemens Industry, Inc.

PowerMod™ Feed-Thru Tap Boxes

Description: **800A, 3 Phase, Feed-Thru Tap Box w/No Hub Openings**

KAM 1/31/18 DO NOT SCALE DRAWING Dwg No: **WT3800PUNH**

Catalog No. WT3800PUNH