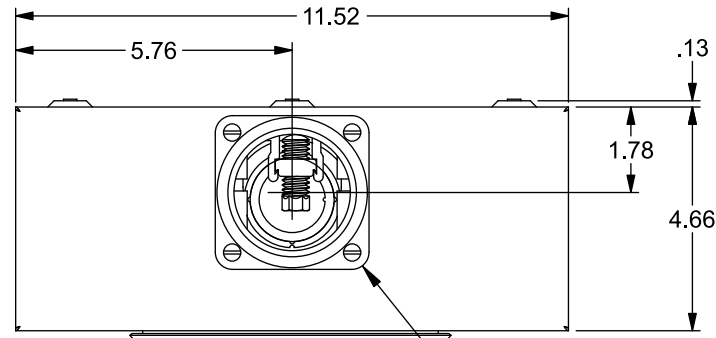
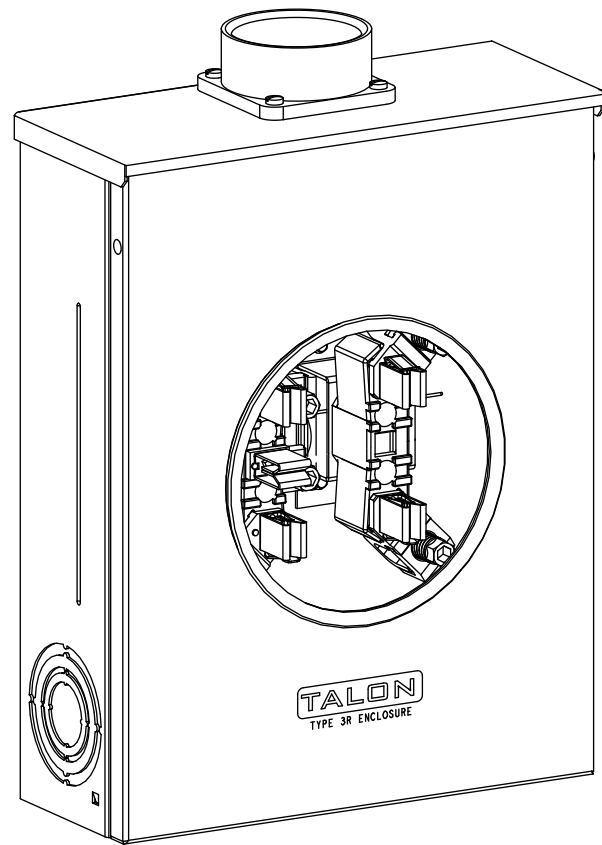


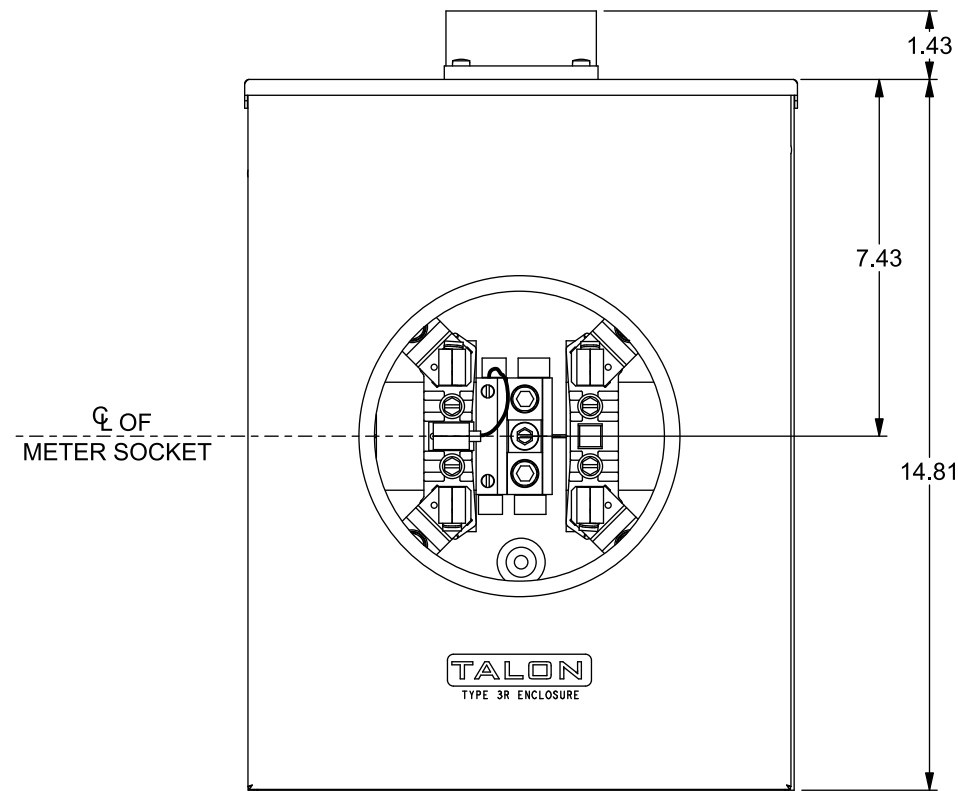
Catalog Number: UAT427-EB

Features and Ratings

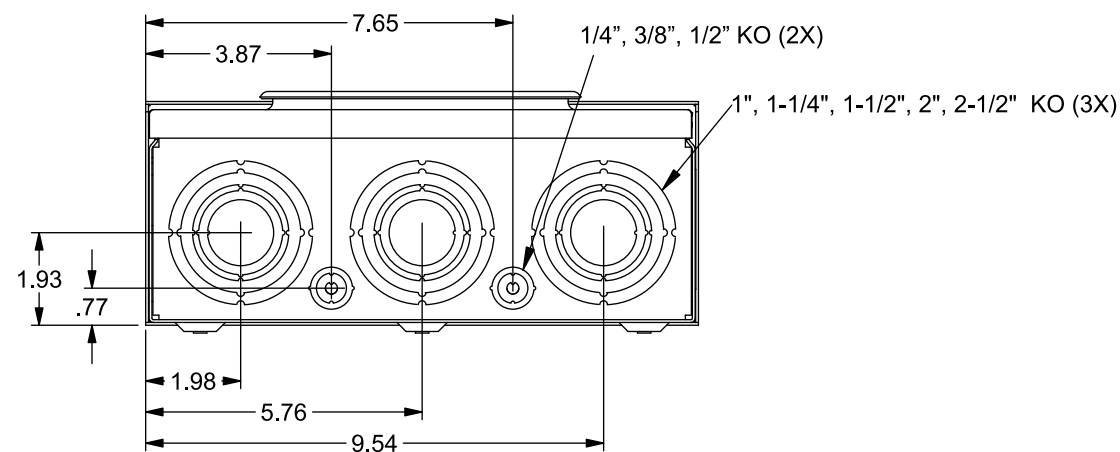
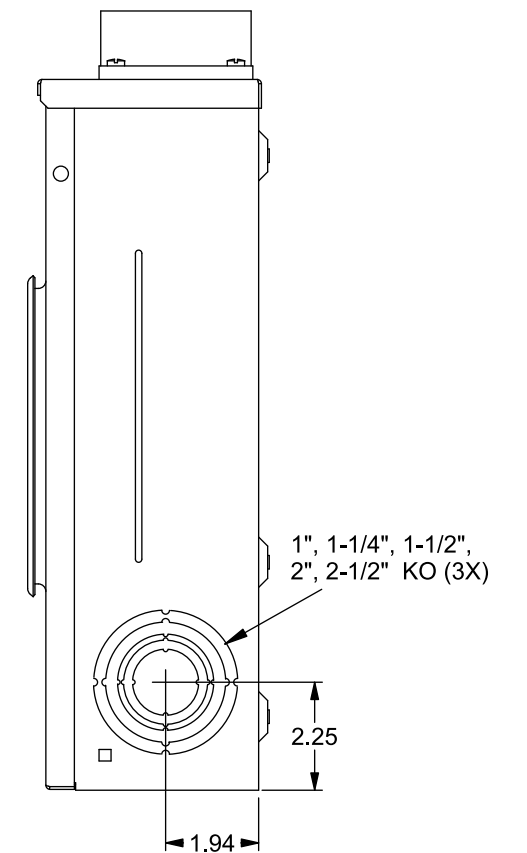
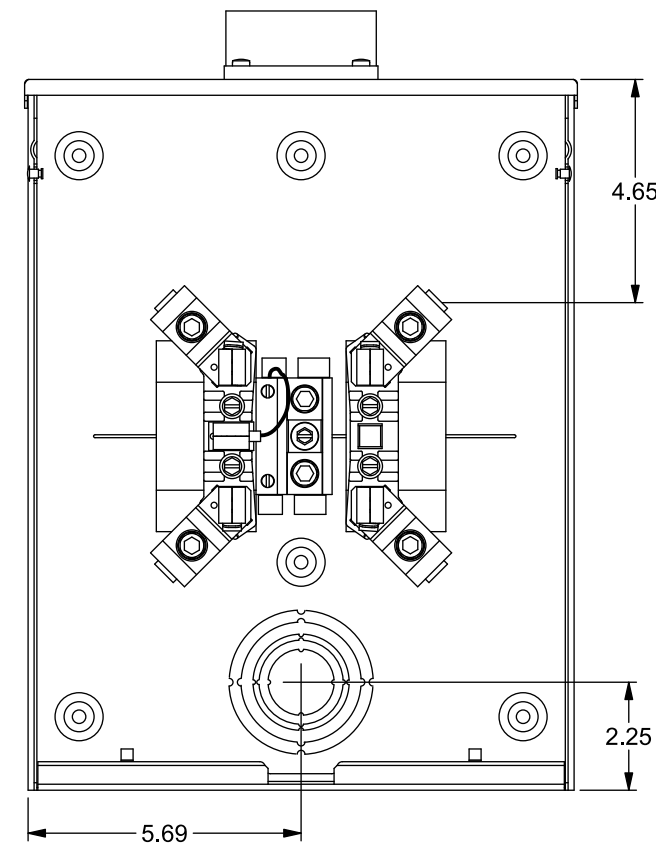
- Ring Type Meter Socket
- 200A Continuous, 250A Max., 600V AC
- Outdoor Enclosure (NEMA Type 3R)
- Painted G90 Steel Enclosure
- 1 Phase, 3 Wire
- 5 Jaw Meter Socket
- Meter Socket Type UAT4
- For Overhead Service
- 2-1/2" RX Type Hub Installed



2-1/2" TYPE RX (SMALL) HUB INSTALLED



VIEW SHOWN WITH COVER AND SHIELD REMOVED



Accessories

CONDUIT HUBS (RX Type)	
TRADE SIZE	CATALOG No.
1-1/4 INCH	EC38597 or H38597-2
1-1/2 INCH	EC38598 or H38598-2
2 INCH	EC38599 or H38599-2
2-1/2 INCH	EC38600 or H38600-2

Hub Cover Plate EC38595 or H38595-1

Meter Opening Cover Plate

Cat No: H659-0162

5th Jaw Kit

Cat. No: EC659-0121

Connectors, Wire Sizes and Torques

CONNECTOR	WIRE SIZE	TORQUE
LINE, LOAD, NEUTRAL	#6 - 350 kcmil	250 IN.-LBS.
GROUND	#2 - 14 AWG	50 IN.-LBS.

© 2017 Copyright Siemens Industry, Inc.

TALON

Meter Socket

Description: **200A Cont, 5 Jaw, UAT4, 2-1/2" Hub, OH, 600V AC, Painted Steel Enclosure**

KAM 12/14/17 DO NOT SCALE DRAWING Dwg No: **UAT427-EB**