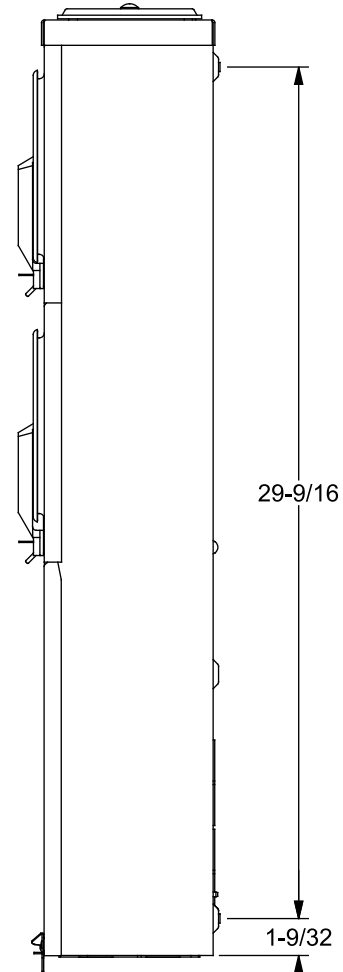
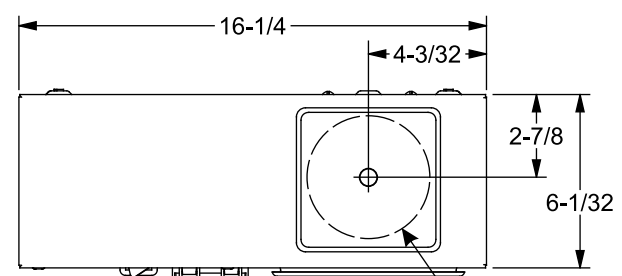
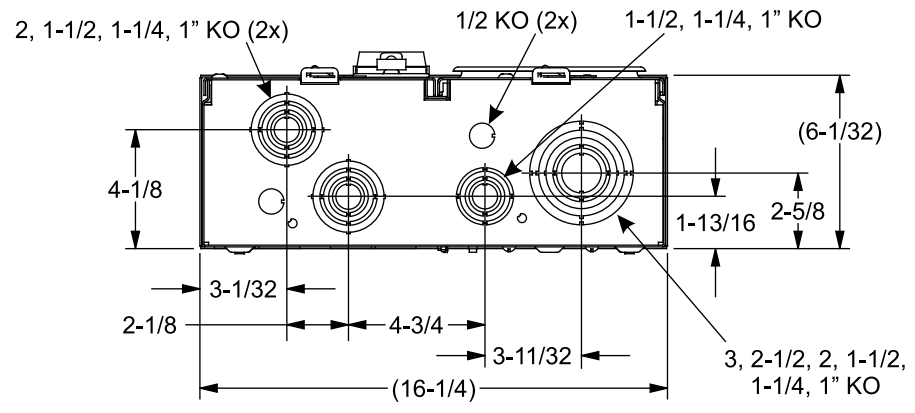
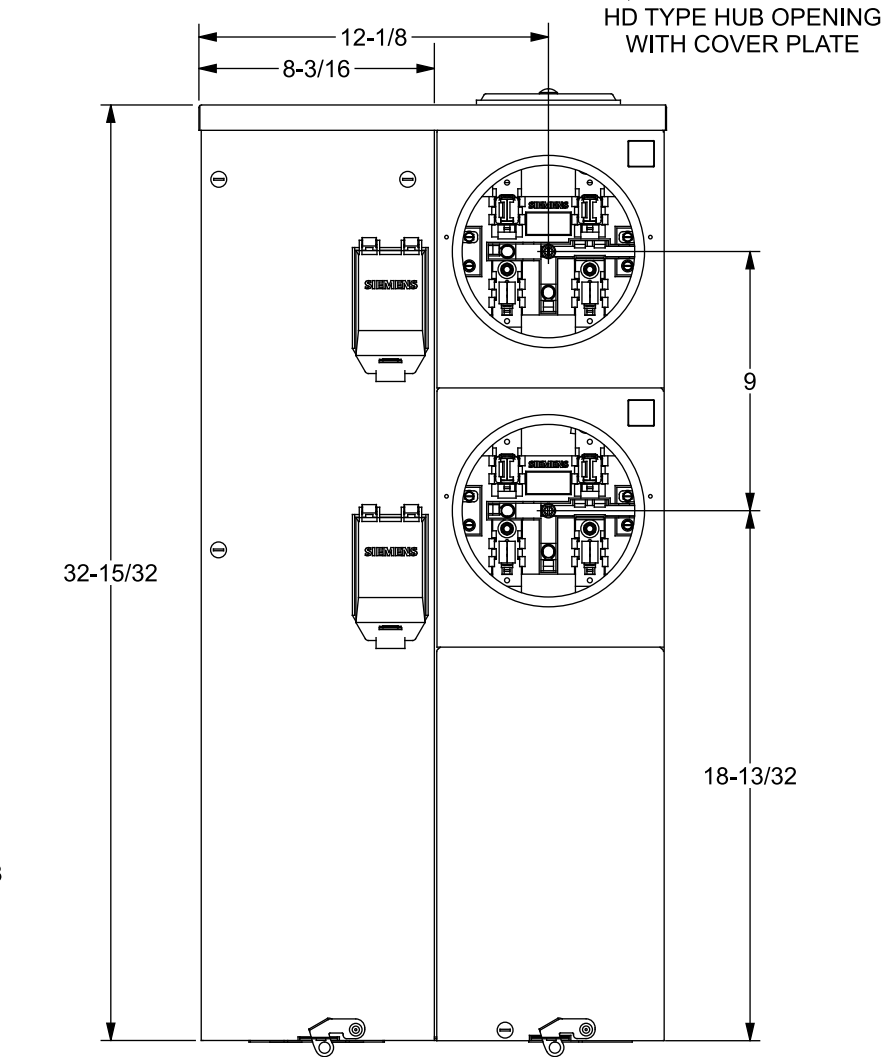
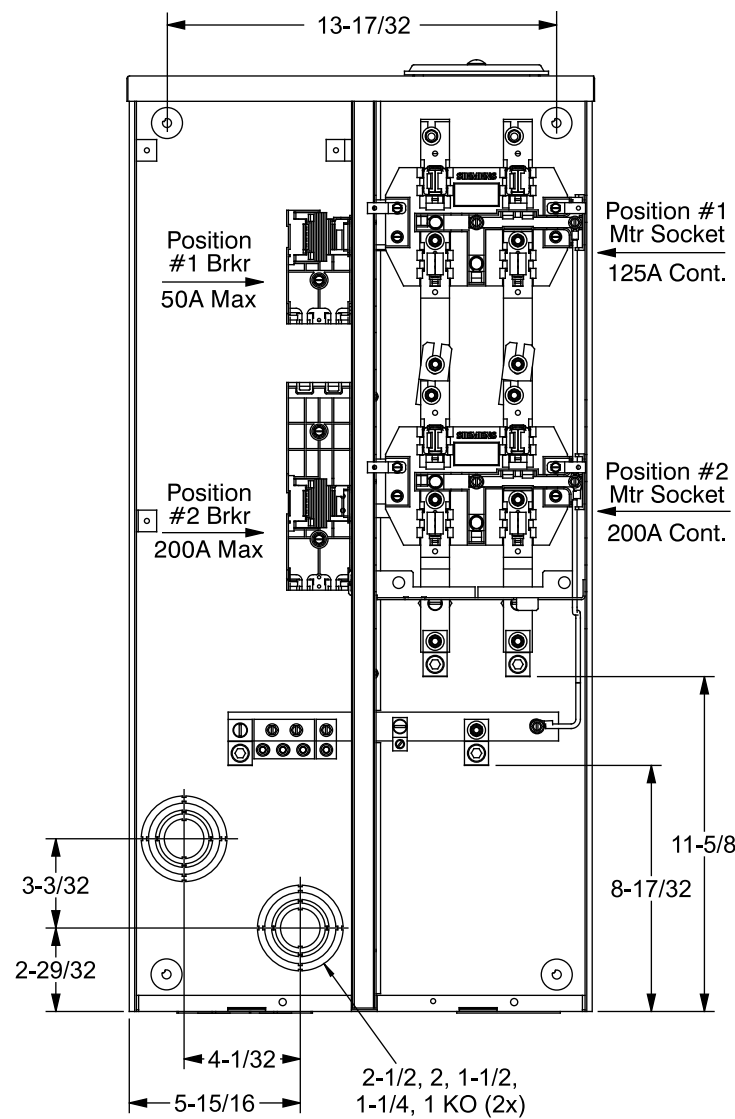


Catalog Numbers, Features and Ratings

Catalog Number	Max. Bus Rating	Max. Meter Socket Rating	AIC Rating Max.	Max. Branch Rating	Meter Positions	Meter Socket Cover	5th Jaw Installed	Horn Bypass Installed
WEP2212EV	200A	Position #1: 125A Cont. Position #2: 200A Cont.	65,000	Position #1: 50A Position #2: 200A	2	Ring Type	No	No

- 120/240 V~, 1 PHASE, 3 WIRE
208Y/120 V~, 1 PHASE, 3 WIRE (5TH JAW MAY BE REQUIRED)
- SUITABLE ONLY FOR USE AS SERVICE EQUIPMENT.
- TYPE 3R OUTDOOR ENCLOSURE
MATERIAL/FINISH: ANSI 61 GRAY BAKED POWDER COAT PAINT
OVER G-90 GALVANIZED, PHOSPHATIZED STEEL
- MEETS EUSERC DWG. No. 342

VIEW SHOWN WITH COVERS REMOVED

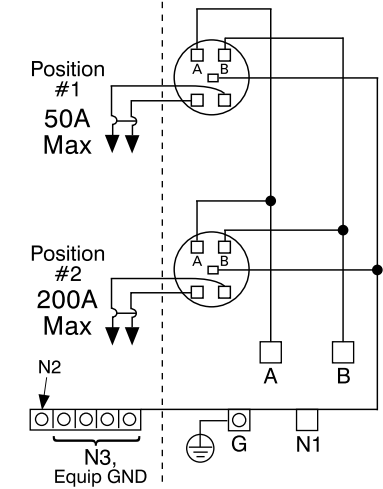


Terminal Wire Sizes and Torques

(refer to schematic)

Terminal	Wire Size	Torque
A, B, N1, N2	300 kcmil - #4 AWG	275 LB-IN
G	#2 - 14 AWG	50 LB-IN
N3/Equip GND	#2/0 - 4 AWG	110 LB-IN

Schematic



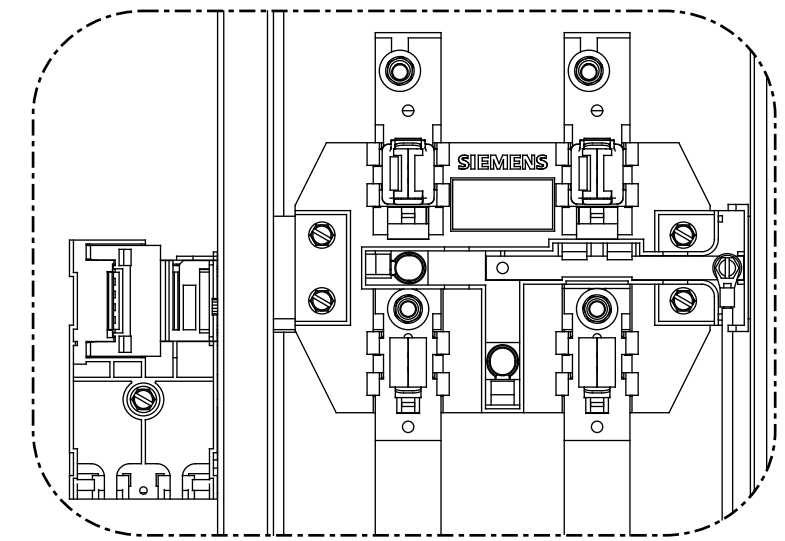
Accessories and Replacement Parts

Description	Catalog No.
Horn By-Pass	ECMFH
5th Jaw	ECMF5
5th Jaw, Insulated	ECMF5i
Meter Cover Plate, Ringless	ECCP3
Meter Cover Plate, Ring Type	ECPP
Meter Socket	ECMFS
125A Breaker Mounting	ECMFBM1
225A Breaker Mounting	ECMFBM2
Meter Cover, Ring Type	ECMFMC
Meter Cover, Ringless	ECMFMCR
Load Cover Screws	ECMFCS
Bottom Pull Cover	ECMFC
Quick Phase Strap	ECMFPS
Breaker Cover Repl.	ECBC
Ground/Ntl Bar Kit	ECMFGN125
Ringless Conversion Kit	ECMMRLCK
QP Breaker Retainer	ECMBR2

Hubs

Use HD Type Hubs if required	Trade Size (in)	Catalog No.
	2"	EC56854
	2-1/2"	EC56855
	3"	EC56856
	3-1/2"	EC56857
	4"	EC56858
	Closure Plate	EC56933S

Enlarged Socket Detail



SIEMENS
Siemens Industry, Inc.

Uni-PAK Metering

Description: **WEP-EV Series**
200A Bus, 2 Position, 125/200A Meter

KAM 3/10/14 DO NOT SCALE DRAWING Dwg No: **WEP2212EV**