

# SIEMENS

## Indoor/Outdoor Modular Tap Box

Catalog Number  
**WT32400PU**

Enclosure  
**Type 3R**

**Module Rating:** 2400 Amps, Max.  
Main Vertical Bus Rating: 2400 Amps, Max.  
Main Horizontal Bus Rating: 1200 Amps, Max. (1200 Amps max feed per side)  
208Y/120 Volts~, 3 Phase, 4 Wire  
240/120 Volts~, 3 Phase, 4 Wire, Delta (B Phase is High Leg)

For installation by Qualified Person in accordance with all local electrical codes and/or the National Electrical Code @.

For overhead or underground service.

### Use 75°C Copper or Aluminum Conductors.

Terminals A, B, C and N: See Lug Chart on adjacent diagram for applicable lug kits, wire size and torque information.

Ground Terminal G (Accessory Cat.# ECMLK3225):  
Wire size #4-300 kcmil. Torque terminal to 250 lb.-in.

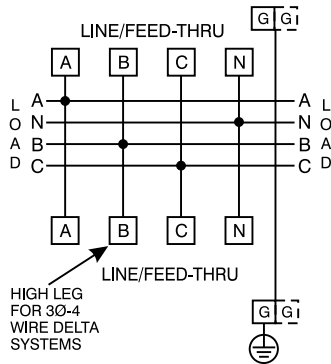
#### Equip Ground Acc'y Cat. No. ECLX072M

##### Small Terminals

Wire Range / Torque  
10-14 AWG . . . 20 lb-in  
8 AWG . . . . 25 lb-in  
6 AWG . . . . 35 lb-in

##### Large Terminals

Wire Range / Torque  
10-14 AWG . . . 35 lb-in  
8 AWG . . . . 40 lb-in  
1/0-6 AWG . . . 45 lb-in



Siemens Industry, Inc. Norcross, Georgia U.S.A. **DH1** 40900998 0101 Rev.A

@ The National Electrical Code is a registered trademark of the National Fire Protection Association.  
© 2013 Copyright Siemens Industry, Inc.

# SIEMENS

**Connect Modules Using:** **Cat. No.** **Torque**  
Quick Connect QC4 400-440 lb-in (35-36 ft.-lb.)

#### Lugs for Phase and Neutral Connections (not supplied)

Lug No. ①	MFG	Wire Range	Type	No. Wires per phase	Torque (lb.-in.)
LK36750N2	Siemens	300-750 kcmil	Mechanical	6	500
LK38500N2C	Siemens	300-500 kcmil Copper	Mechanical	8	500
LK38750N2A	Siemens	300-750 kcmil Aluminum	Mechanical	8	500
2ACL-750	ILSCO	750 kcmil	Compression	6	NA ②

① Order one mechanical lug kit for mains and neutral. Additional lug kit is required for feed-thru terminals. Contact lug manufacturer for compression lug quantities supplied for each kit.

② See lug manufacturer's instruction sheet supplied with the connector for tool, die, and number of crimps.

#### Short Circuit Current Rating

This device has a maximum short circuit current rating of 100,000 Amps RMS symmetrical at 240 Volts AC when protected by 2400 Amp maximum Class L fuses. All downstream tap boxes connected to the cross bus must be protected by a 1200 Amp max. WXB series cross bus main device.

#### IMPORTANT - for use with:

**Module . . . . . Siemens Series#**  
Main Breakers . . . . . (W)MC, WB, WEB, WXB  
Switches . . . . . WMP, WMS, WS, WES  
Tap/Terminal Boxes . . . . . WMTB, WTB, WET, WT\_PU  
Pull Boxes . . . . . WMMB  
Meter Module . . . . . (W)MM, WxMM, (W)MT,  
(W)ML, (W)MK  
Meter Combinations . . . . . WC, WCL, WCT  
Extension Box . . . . . WMEX, WSP, WSPD  
Bussed Elbow . . . . . BE

#### Use HD Type Hubs if required

Trade Size (in)	Catalog No.
3"	EC56856
3-1/2"	EC56857
4"	EC56858
Closure Plate . . . . .	EC56933S

**Important:** Do not allow petroleum based (hydrocarbon) sprays, chemicals, solvents or any paint to contact interior components. Petroleum based chemicals can cause degradation of electrical insulating materials.

Siemens Industry, Inc. Norcross, Georgia U.S.A. **DH1** 40900998 0201 Rev.A

© 2013 Copyright Siemens Industry, Inc.