

SIEMENS

Rainproof Combination Metering

Catalog Number

MC0816B1200RGA

Series

Enclosure

Type 3R

Panelboard Rating:

200 Amps Max.
120/240 Volts V.A.C. 1 Phase, 3 Wire
208Y/120 Volts V.A.C. 1 Phase, 3 Wire
(Derived from 3 phase - 4 wire system)
Meter Socket Rating:
200 Amps Continuous

OVERHEAD AND UNDERGROUND

Suitable Only For Use As

Service Equipment

Use Copper or Aluminum Wire

Line Terminals A, B, and N
Suitable for 60°/75° C Conductors.
Wire Size: #4 AWG-250 kcmil.
Torque Terminals to 250 Lb.-Ins.

Feed Thru Terminals A,B and N
Suitable for 60°/75° C Conductors.
Wire Size: #4 AWG-250 kcmil.
Torque Terminals to 250 Lb.-Ins.

Neutral Bar is suitable for 60°/75° C
Conductors.

Wire Size 4-14 AWG CU, 4-12 AWG AL.
Wire Size Tighten Torque
14-10CU/12-10AL AWG 20 Lb.-Ins.
8 AWG 25 Lb.-Ins.
6-4 AWG 35 Lb.-Ins.

All unused neutral branch terminals can
be used as equipment grounding wire
terminals. These terminals can be
identified by the green or bare grounding
wire and will accept the wire size 4-14
AWG CU/AL.

Ground Conductors only are suitable for the
following combinations:
(2) or (3) 14 AWG; (2) 12-10 AWG.

For installation by a qualified person in accordance with all local electrical codes and/or the National
Electrical Code®.

© The National Electrical Code is a registered trademark of the National Fire Protection Association.

© 2010 COPYRIGHT Siemens Industry, Inc.

Refer to Branch Breaker markings for
wire size, rating and torque. Branch
Breaker Terminals Suitable for 60°/75° C
Conductors. Left side suitable for 60A
breakers with CU wire, 50A breakers
with AL wire, right side suitable for 150A
breakers with CU wire and accessory
kit ECLK2.

Accessories:

Filler Plate Cat. No. QF3 or ECQF3
2/0-#4 wire range lug kit: ECLK2
5th Jaw Assembly: EC5J2
Mechanical Breaker Interlock: ECSBPK08
Meter Socket Jumper: ECJS
Equipment Grounding Bars Cat. No. ECGB10
Tighten Equipment Ground Bar Terminals to
the torque shown in neutral bar table for the
wire installed.

If a RXHub is required on Top End Wall, the
catalog nos. listed below may be used on this
enclosure.

1 1/4"	EC38597
1 1/2"	EC38598
2"	EC38599
2 1/2"	EC38600

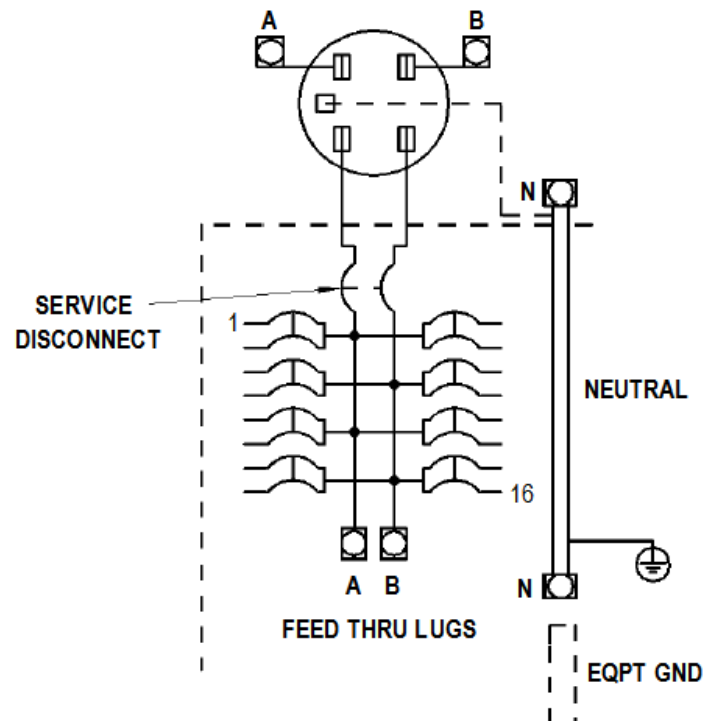
If a HC Hub is required on the bottom end wall,
the catalog nos. listed below may be used on this
enclosure.

2"	ECHC200
2-1/2"	ECHC250
3"	ECHC300

General Information:

Remove twistouts from trim only where breakers
will be installed. All openings must be filled with
breakers or filler plates.

Circuit breaker overload trip position is indicated
by handle position midway between ON and OFF.
To reset, move handle to OFF position then turn
ON.



Short Circuit Current Rating (Wattour Meter not included in short circuit current rating) This
panelboard has a maximum short circuit rating of 22,000 RMS symmetrical amperes, 240 volts
maximum with Siemens type EQ9685 main breaker installed. Any branch circuit breaker
installed, replaced or added in this panelboard must be manufactured by Siemens and must be of
the types listed below.

MAIN BREAKER	BRANCH BREAKER	THEN THE MAXIMUM SHORT CIRCUIT CURRENT RATING IN RMS SYMMETRICAL AMPERES, 120/240~ IS:
WHEN MAIN BREAKER IS:	AND THE BRANCH BREAKERS INSTALLED ARE SIEMENS TYPE:	
QPP	QP, QPH, QPHF, HQP, QT, QAF, QAFH, QPF, QN	10,000
QPPH	QP, QPH, QPHF, HQP, QT, QAF, QAFH, QPF, QN	22,000

WARNING:

This equipment has been designed for use only with circuit breakers listed above. Use of other
circuit breakers in this equipment could result in personal injury or property damage and will void the
warranty.

IMPORTANT:

Do not allow petroleum based (hydrocarbon) sprays, chemicals, solvents or any paint to contact
interior components. Petroleum based chemicals can cause degradation of electrical insulating
materials.

© 2010 COPYRIGHT Siemens Industry, Inc