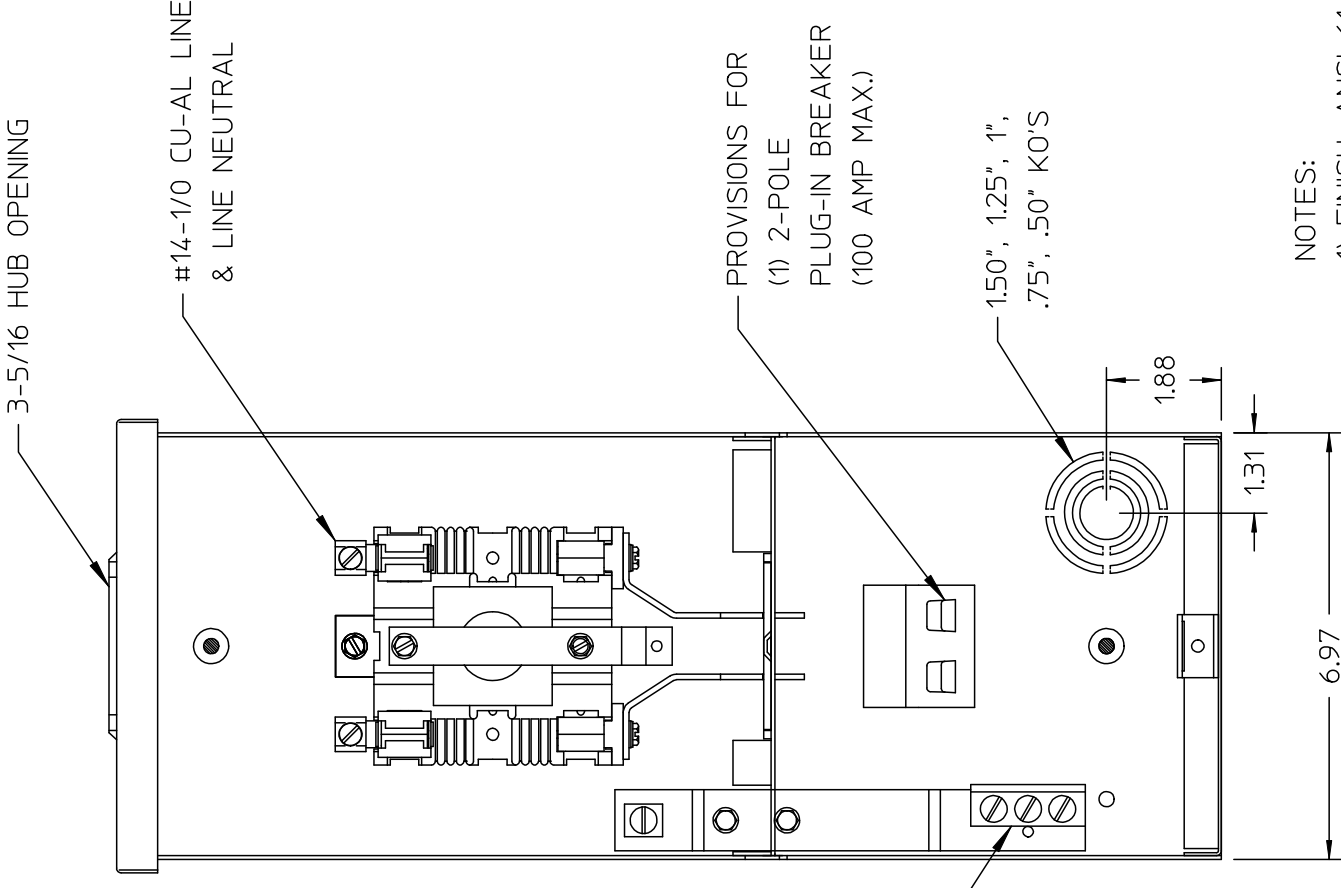


#14-2/0 CU-AL LOAD NEUTRAL & GROUND



IF HUB IS REQUIRED THE CATALOG NOS. LISTED BELOW MAY BE USED

1-1/4" .....EC38597

1-1/2" .....EC38598

2" .....EC38599

2-1/2" .....EC38600

NOTES:

- 1) FINISH: ANSI 61 GRAY BAKED POWDER COAT PAINT OVER G-90 GALVANIZED, PHOSPHATIZED STEEL.
- 2) ELECTRICAL RATINGS:  
100 AMP, 1 PHASE, 3 WIRE,  
120/240 V.A.C.
- 3) PACKED (2) PER CARTON.
- 4) SNAP TYPE SEALING RING PROVIDED.
- 5) 1-1/4" BOLT ON HUB BAGGED AND PLACED INSIDE BREAKER COMPARTMENT.

REV	DATE	DESCRIPTION	BY

**TOLERANCES** (UNLESS OTHERWISE NOTED)  
 SHEARED BLANKS & FRACTIONS ±.032  
 OPEN NOTCH TO SHEARED EDGE ±.032  
 PUNCHED HOLES/SHAPES ±.003  
 FORMED FLANGES ±.032  
 ALL OTHER DIMENSIONS ±.015  
 FINAL ASSEMBLY DRAWING DIMENSIONS ARE NOMINAL, REFER TO INDIVIDUAL PART/SUB FOR ALLOWABLE CUMULATIVE TOLERANCE

DATE 9-28-2010 BY BDD

DWG NO. MM0202ML1100S

SKT/BKR 100A 1P 1-1/4"

Siemens Energy & Automation, Inc.  
Residential Products Division

THIS DRAWING CONTAINS PROPRIETARY AND CONFIDENTIAL INFORMATION WHICH MUST NOT BE DUPLICATED, USED OR DISCLOSED OTHER THAN AS EXPRESSLY AUTHORIZED. SPECIFICATIONS SUBJECT TO CHANGE WITHOUT NOTICE.