

SIEMENS

Rainproof Meter Module

Catalog Number
WML23100RJ

Enclosure
Type 3R

Ratings: Main Bus Rating: 1200 Amps.
208Y/120 Volts AC, 3 Phase, 4 Wire
240/120 Volts AC, 3 Phase, 4 Wire Delta
See adjacent label for Short Circuit
Current Rating.

Meter Socket Rating: 100 Amps.
Continuous

Branch Rating: 100 Amps. Max. See
Breaker Ratings

Note: When this meter module is used on
a 240/120 Volts AC, 3 Phase, 4 Wire Delta
system, the B Phase will be the high leg.

Suitable For Use As Service

Equipment when used in combination
with Siemens Modular Terminal Box
Series WMTB, WTB, WET, or Murray Tap
Box Series DTB_W and no more than six
main disconnecting means are provided.

For installation by a qualified person, in
accordance with all local electrical codes
and/or the National Electrical Code®.

Terminals:

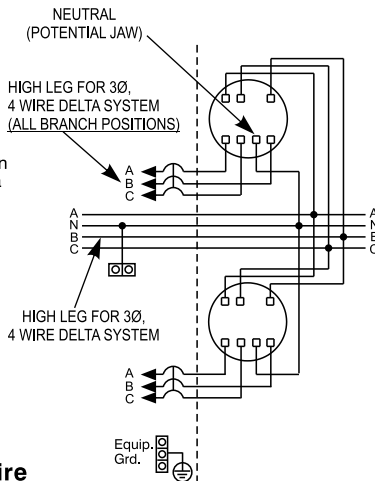
Use Copper or Aluminum Wire
at all panel terminals. Suitable for 60°/75°C
Conductors.

See breaker markings for wire size and torque
requirements.

Neutral Terminal and Ground Terminal :
Wire Size #4-2/0 AWG, Torque to 50 lb.-ins.

General Information: See enclosed instruction
sheet for information on mounting units.

Circuit breaker overload trip position is indicated by
handle position midway between ON and OFF. To
reset, move handle to OFF position then turn ON.



Siemens Industry, Inc. Norcross, Georgia U.S.A. **DH1** 40900106 0101 Rev.B

© The National Electrical Code is a registered trademark of the National Fire Protection Association.
© 2009 Copyright Siemens Industry, Inc.

SIEMENS

Short Circuit Current Rating: (Wathour meter not included in short circuit current rating).
This panelboard has a maximum short circuit current rating of 65,000 Amps RMS
symmetrical, 240 V~ maximum. The actual rating is dependent on the branch breakers
installed in this panelboard and the main disconnect, if any, installed ahead of this
panelboard. The correct branch breakers and main/branch breaker series combinations to
be used for various short circuit current levels are listed in the tabulation below. Any circuit
breaker installed, replaced, or added in this panelboard must be manufactured by Siemens
and must be of the correct Type as indicated in the tabulation below.

MAIN DISCONNECT	BRANCH BREAKER	Then the maximum short circuit current rating in RMS symmetrical Amperes, 120/240 V~ maximum is
When the main protecting the system is a (Siemens Breaker Type)	And the branch breakers installed are Siemens type	
JXD2(-A), JD6(-A), JXD6(-A), HJD6(-A), HJXD6(-A), LD6(-A), LXD6(-A), HLD6(-A), HLD6(-A), MD6, MXD6, HMD6, HMXD6, ND6, NXD6, SND6-B, HND6, HNXD6, SHND6-B, PD6, PXD6, SPD6-B, HPD6, HPXD6, SHPD6-B, RD6, RXD6, HRD6, HRXD6, or Class J, T, R, or L Fuses	QP, MP-T	10,000
	QPH, MP-HT	22,000
	HQP, MP-MT	65,000

Warning: This equipment has been designed for use only with circuit breakers listed above. Use of other circuit breakers in this equipment could result in personal injury or property damage and will void the warranty.

Connect Modules Using: **Cat. No.** **Torque**
Quick Connect™ QC4 400-440 lb-in (35-36 ft.-lb.)

Module Description	Siemens Series#
Main Breakers	WB(M), WEB(M), WXB(M), BFT(M)
Switches	WMP, WS, WES, WXS
Tap/Terminal Boxes	WTB, WET, WT_PU, WTBN, WBT(M)
Pull Boxes	WMMB
Meter Module	(W)MM, (W)MT, (W)ML, (W)MK, (W)MLZ(F), (W)MN
Meter Combinations	WC, WCL, WCT,
Extension Box	WSP, WSPD
Bussed Elbow	BE, WELB

IMPORTANT - for use with:

Important: Do not allow petroleum based (hydrocarbon) sprays, chemicals, solvents or any paint to contact interior components. Petroleum based chemicals can cause degradation of electrical insulating materials.

Siemens Industry, Inc. Norcross, Georgia U.S.A. **DH1** 40900106 0201 Rev.00

© 2019 Copyright Siemens Industry, Inc.