

# SIEMENS

## Rainproof Meter Module

Catalog Number  
**WML22BC225RJ**

Enclosure  
**Type 3R**

**Rated:** Main Bus Rating: 1200 Amps.  
208Y/120 Volts AC, 3 Phase, 4 Wire  
See adjacent label for Short Circuit Current Rating.

**Meter Socket Rating:** 200 Amps. Continuous

**Branch Rating:** 225 Amps Max. See Breaker Ratings.

### Suitable For Use As Service Equipment

when used in combination with Siemens Modular Terminal Box Series WMTB, WTB, WET, or Murray Tap Box Series DTB\_W and no more than six main disconnecting means are provided.

For installation by a qualified person, in accordance with all local electrical codes and/or the National Electrical Code ©.

### Terminals: Use Copper or Aluminum Wire

at all panel terminals. Suitable for 60°/75°C Conductors.  
See breaker markings for wire size and torque requirements.

Neutral Terminal: Wire Size #4-300 kcmil, Torque to 250 lb.-ins.  
Ground Terminal: Wire Size #4-2/0 AWG, Torque to 50 lb.-ins.

### General Information:

See enclosed instruction sheet for information on mounting units.

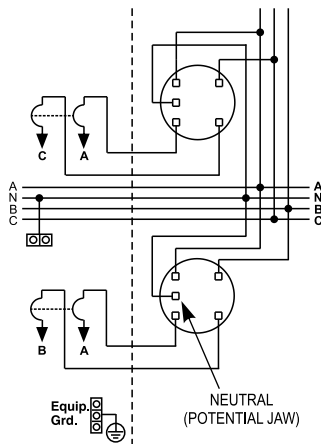
Circuit breaker overload trip position is indicated by handle position midway between ON and OFF. To reset, move handle to OFF position then turn ON.

**Connect Modules Using:**

| Cat. No. | Torque                        |
|----------|-------------------------------|
| QC4      | 400-440 lb-in (35-36 ft.-lb.) |

### IMPORTANT - for use with:

| Module Description | Siemens Series#                              |
|--------------------|--|
| Main Breakers      | WB(M), WEB(M), WXB(M), BFT(M)                |
| Switches           | WMP, WS, WES, WXS                            |
| Tap/Terminal Boxes | WTB, WET, WT_PU, WTBN, WBT(M)                |
| Pull Boxes         | WMMB   |
| Meter Module       | (W)MM, (W)MT, (W)ML, (W)MK, (W)MLZ(F), (W)MN |
| Meter Combinations | WC, WCL, WCT,                                |
| Extension Box      | WSP, WSPD                                    |
| Bussed Elbow       | BE, WELB                                     |



Siemens Industry, Inc. Norcross, Georgia U.S.A. **DH1** 40900115 0101 Rev.00

© The National Electrical Code is a registered trademark of the National Fire Protection Association.  
© 2018 Copyright Siemens Industry, Inc.

# SIEMENS

**Short Circuit Current Rating:** (Wattour meter not included in short circuit current rating). This panelboard has a maximum short circuit current rating of 100,000 Amps RMS symmetrical, 120/240 V~ maximum. The actual rating is dependent on the branch breakers installed in this panelboard and the main disconnect, if any, installed ahead of this panelboard. The correct branch breakers and main/branch breaker series combinations to be used for various short circuit current levels are listed in the tabulation below. Any circuit breaker installed, replaced, or added in this panelboard must be manufactured by Siemens and must be of the correct Type as indicated in the tabulation below.

| MAIN DISCONNECT<br>When the main protecting the system is a<br>(Siemens Breaker Type)   | BRANCH BREAKER<br>And the branch<br>breakers installed<br>are Siemens type | Then the maximum short<br>circuit current rating in<br>RMS symmetrical Amps is<br>120/240 V~ maximum is |
|---|--|---|
| NONE USED or JXD2(-A), JD6(-A), JXD6(-A), HJD6(-A), HJXD6(-A), LD6(-A), LXD6(-A), HLD6(-A), HLXD6(-A), MD6, MXD6, HMD6, HMXD6, ND6, NXD6, SND6-B, HND6, HNXD6, SHND6-B, NJJA, NJGA, HJGA, NLGA, HJGA, NLGB, HJGB, NMG, HMG, NNG, HNG, NPG, HPG, PD6, PXD6, SPD6-B, HPD6, HPXD6, SHPD6-B, RD6, RXD6, HRD6, HRXD6, or Class J, T, R, or L Fuses | QS, QP, MP-T   | 10,000  |
| NONE USED   | QSH, QPH, MP-HT  |   |
| MD6, MXD6, HMD6, HMXD6, ND6, NXD6, SND6-B, HND6, HNXD6, SHND6-B, NJJA, NJGA, HJGA, NLGA, HJGA, NLGB, HJGB, NMG, HMG, NNG, HNG, NPG, HPG, PD6, PXD6, SPD6-B, HPD6, HPXD6, SHPD6-B, RD6, RXD6, HRD6, HRXD6, or Class J, T, R, or L Fuses  | MP-HT  | 22,000  |
| NONE USED   | QSHH   | 42,000  |
| NONE USED   | HQS, HQP, MP-MT  |   |
| JXD2(-A), JD6(-A), JXD6(-A), HJD6(-A), HJXD6(-A), LD6(-A), LXD6(-A), HLD6(-A), HLXD6(-A)  | MP-HT  |   |
| JXD2(-A), JD6(-A), JXD6(-A), LD6(-A), LXD6(-A), MD6, MXD6, ND6, NXD6, SND6-B, NJJA, NJGA, NLGA, NLGB, NMG, NNG, NPG, PD6, PXD6, SPD6-B, RD6, RXD6   | QS, QSH, QSHH, HQS, QPH, HQP, MP-MT  | 65,000  |
| HJD6(-A), HJXD6(-A), HLD6(-A), HLXD6(-A), HMD6, HMXD6, HND6, HNXD6, SHND6-B, HJGA, HJGA, HJGB, HMG, HNG, HPG, HPD6, HPXD6, SHPD6-B, HRD6, HRXD6, or Class J, T, R, or L Fuses   | QPH, HQP, MP-MT  |   |
| NONE USED   | HQPH, HQSH   |   |
| HJD6(-A), HJXD6(-A), HLD6(-A), HLXD6(-A), HMD6, HMXD6, HND6, HNXD6, SHND6-B, HJGA, HJGA, HJGB, HMG, HNG, HPG, HPD6, HPXD6, SHPD6-B, HRD6, HRXD6, or Class J, T, R, or L Fuses   | HQPH, QS, QSH, QSHH, HQS, HQSH   | 100,000   |

**Warning:** This equipment has been designed for use only with circuit breakers listed above. Use of other circuit breakers in this equipment could result in personal injury or property damage and may void the warranty.

**Important:** Do not allow petroleum based (hydrocarbon) sprays, chemicals, solvents or any paint to contact interior components. Petroleum based chemicals can cause degradation of electrical insulating materials.

Siemens Industry, Inc. Norcross, Georgia U.S.A.

**DH1**

40900115 0201 Rev.01

© 2019 Copyright Siemens Industry, Inc.