

# SIEMENS

## Indoor Meter Module

Catalog Number  
**MT32225J**

Enclosure  
**Type 1**

**Ratings:** Main Bus Rating: 1200 Amps.  
208Y/120 Volts AC, 3 Phase, 4 Wire  
See adjacent label for Short Circuit Current Rating.

**Meter Socket Rating:** 200 Amps. Continuous

**Branch Rating:** 225 Amps Max. See Breaker Ratings.

**Suitable For Use As Service Equipment** when used in combination with Siemens Modular Terminal Box Series WMTB, WTB, WET, or Murray Tap Box Series DTB\_W and no more than six main disconnecting means are provided.

For installation by a qualified person, in accordance with all local electrical codes and/or the National Electrical Code ®.

### Terminals:

**Use Copper or Aluminum Wire** at all panel terminals. Suitable for 60°/75°C Conductors.

See breaker markings for wire size and torque requirements.

### Neutral Terminal:

Wire Size #4-300 kcmil, Torque to 250 lb.-ins.

### Ground Terminal:

Wire Size #4-2/0 AWG, Torque to 50 lb.-ins.

### General Information:

See enclosed instruction sheet for information on mounting units.

Circuit breaker overload trip position is indicated by handle position midway between ON and OFF. To reset, move handle to OFF position then turn ON.

**Accessories** Ground Bar Kit: Catalog Number ECLX072M

**Connect Modules Using:** **Cat. No.** **Torque**  
Quick Connect™ **QC4** 400-440 lb-in (35-36 ft.-lb.)

Module Description	Siemens Series#
Main Breakers	WB(M), WEB(M), WXB(M), BFT(M)
Switches	WMP, WS, WES, WXS
Tap/Terminal Boxes	WTB, WET, WT, PU, WTBN, WBT(M)
Pull Boxes	WMMB
Meter Module	(W)MM, (W)MT, (W)ML, (W)MK, (W)MLZ(F), (W)MN
Meter Combinations	WC, WCL, WCT,
Extension Box	WSP, WSPD
Bussed Elbow	BE, WELB

Siemens Industry, Inc. Norcross, Georgia U.S.A. **DH1** 40900828 0101 Rev.00

© The National Electrical Code is a registered trademark of the National Fire Protection Association.  
© 2018 Copyright Siemens Industry, Inc.

# SIEMENS

**Short Circuit Current Rating:** (Wathour meter not included in short circuit current rating). This panelboard has a maximum short circuit current rating of 100,000 Amps RMS symmetrical, 120/240 V~ maximum. The actual rating is dependent on the branch breakers installed in this panelboard and the main disconnect, if any, installed ahead of this panelboard. The correct branch breakers and main/branch breaker series combinations to be used for various short circuit current levels are listed in the tabulation below. Any circuit breaker installed, replaced, or added in this panelboard must be manufactured by Siemens and must be of the correct Type as indicated in the tabulation below.

MAIN DISCONNECT When the main protecting the system is a (Siemens Breaker Type)	BRANCH BREAKER And the branch breakers installed are Siemens type	Then the maximum short circuit current rating in RMS symmetrical Amperes, 120/240 V~ maximum is
NONE USED or JXD2(-A), JD6(-A), JXD6(-A), HJD6(-A), HJXD6(-A), LD6(-A), LXD6(-A), HLD6(-A), HLD6(-A), HLD6(-A), MD6, MXD6, HMD6, HMXD6, ND6, NXD6, SND6-B, HND6, HNXD6, SHND6-B, NJJA, NJGA, HJGA, NLGA, HLGA, NLGB, HLG, NMG, HMG, NNG, HNG, NPG, HPG, PD6, PXD6, SPD6-B, HPD6, HPXD6, SHPD6-B, RD6, RXD6, HRD6, HRXD6, or Class J, T, R, or L Fuses	QS, QR, MP-T	10,000
NONE USED MD6, MXD6, HMD6, HMXD6, ND6, NXD6, SND6-B, HND6, HNXD6, SHND6-B, NJJA, NJGA, HJGA, NLGA, HLGA, NLGB, HLG, NMG, HMG, NNG, HNG, NPG, HPG, PD6, PXD6, SPD6-B, HPD6, HPXD6, SHPD6-B, RD6, RXD6, HRD6, HRXD6, or Class J, T, R, or L Fuses	QSH, QPH, MP-HT	22,000
NONE USED NONE USED	QSHH	42,000
JXD2(-A), JD6(-A), JXD6(-A), HJD6(-A), HJXD6(-A), LD6(-A), LXD6(-A), HLD6(-A), HLD6(-A)	HQS, HQP, MP-MT	65,000
JXD2(-A), JD6(-A), JXD6(-A), LD6(-A), LXD6(-A), MD6, MXD6, ND6, NXD6, SND6-B, NJJA, NJGA, NLGA, NLGB, NMG, NNG, NPG, PD6, PXD6, SPD6-B, RD6, RXD6	QS, QSH, QSHH, HQS, QPH, HQP, MP-MT	
HJD6(-A), HJXD6(-A), HLD6(-A), HLD6(-A), HMD6, HMXD6, HND6, HNXD6, SHND6-B, HJGA, HLGA, HLG, HMG, HNG, HPG, HPD6, HPXD6, SHPD6-B, HRD6, HRXD6, or Class J, T, R, or L Fuses	QPH, HQP, MP-MT	100,000
NONE USED HJD6(-A), HJXD6(-A), HLD6(-A), HLD6(-A), HMD6, HMXD6, HND6, HNXD6, SHND6-B, HJGA, HLGA, HLG, HMG, HNG, HPG, HPD6, HPXD6, SHPD6-B, HRD6, HRXD6, or Class J, T, R, or L Fuses	HQPH, HQSH HQPH, QS, QSH, QSHH, HQS, HQSH	

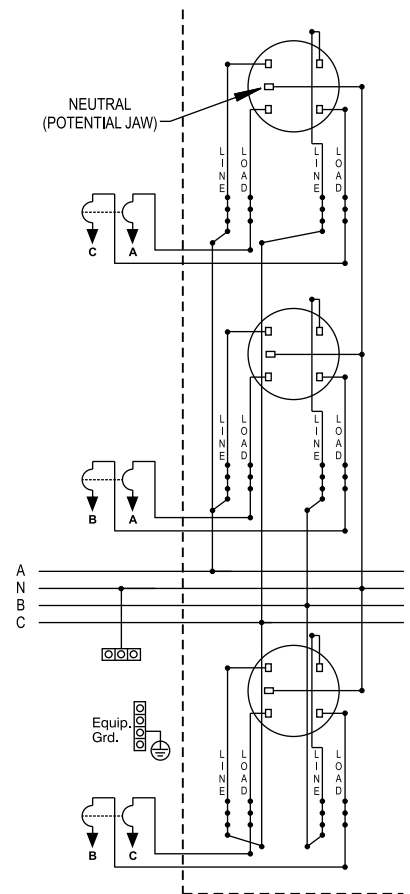
**Warning:** This equipment has been designed for use only with circuit breakers listed above. Use of other circuit breakers in this equipment could result in personal injury or property damage and will void the warranty.

**Important:** Do not allow petroleum based (hydrocarbon) sprays, chemicals, solvents or any paint to contact interior components. Petroleum based chemicals can cause degradation of electrical insulating materials.

Siemens Industry, Inc. Norcross, Georgia U.S.A. **DH1** 40900828 0201 Rev.01

© 2019 Copyright Siemens Industry, Inc.

# SIEMENS



Siemens Industry, Inc. Norcross, Georgia U.S.A. **DH1** 40900828 0301 Rev.00

© 2018 Copyright Siemens Industry, Inc.