

SIEMENS

Indoor Meter Module

Catalog Number
ML23225RJ

Enclosure
Type 1

Ratings: Main Bus Rating: 1200 Amps.
208Y/120 Volts AC, 3 Phase, 4 Wire
240/120 Volts AC, 3 Phase, 4 Wire Delta
See adjacent label for Short Circuit
Current Rating.

Meter Socket Rating: 200 Amps.
Continuous

Branch Rating: 225 Amps Max. See
Breaker Ratings.

Note: When this meter module is used
on a 240/120 Volts AC, 3 Phase, 4 Wire
Delta system, the B Phase will be the
high leg.

**Suitable For Use As Service
Equipment** when used in combination
with Siemens Modular Terminal Box
Series WMTB, WTB, WET, or Murray Tap
Box Series DTB_W and no more than six
main disconnecting means are provided.

For installation by a qualified person, in
accordance with all local electrical codes
and/or the National Electrical Code®.

Terminals:
Use Copper or Aluminum Wire at all panel terminals.
Suitable for 60°/75°C Conductors.

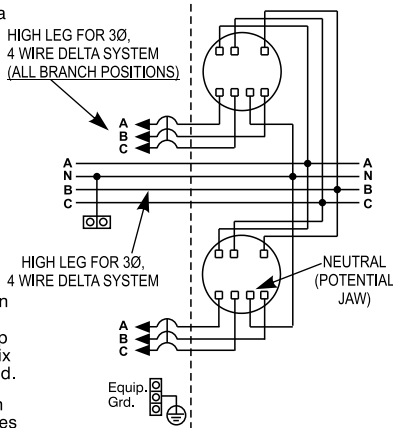
To connect breaker to bus, use the 1/4-20 x 5/8" hex bolts provided with the enclosure.
Torque to 60 lb.-ins. For breaker wiring terminals, see breaker markings for wire size
and torque requirements.

Neutral Terminal:
Wire Size #4-300 kcmil, Torque to 250 lb.-ins.

Ground Terminal:
Wire Size #4-2/0 AWG, Torque to 50 lb.-ins.

General Information: See enclosed instruction sheet for information on mounting units.

Circuit breaker overload trip position is indicated by handle position midway between
ON and OFF. To reset, move handle to OFF position then turn ON.



SIEMENS

Short Circuit Current Rating: (Wattour meter not included in short circuit current rating).
This panelboard has a maximum short circuit current rating of 100,000 Amps RMS
symmetrical, 120/240 V~ maximum. The actual rating is dependent on the branch breakers
installed in this panelboard and the main disconnect, if any, installed ahead of this panelboard.
The correct branch breakers and main/branch breaker series combinations to be used for
various short circuit current levels are listed in the tabulation below. Any circuit breaker
installed, replaced, or added in this panelboard must be manufactured by Siemens and must
be of the correct Type as indicated in the tabulation below.

MAIN DISCONNECT	BRANCH BREAKER	Then the maximum short circuit current rating in RMS symmetrical Amperes, 240 V~ maximum is
When the main protecting the system is a (Siemens Breaker Type)	And the branch breakers installed are Siemens type	
None Used	QJ2, QR2	10,000
None Used	QJH2, QRH2	22,000
None Used	QJ2H	42,000
None Used	HQJ2, HQR2	65,000
JXD2(-A), JD6(-A), JXD6(-A), LD6(-A), LXD6(-A)	QJH2, QJ2H	
JXD2(-A), JD6(-A), JXD6(-A), NJGA, NJJA, LD6(-A), LXD6(-A), NLGA, NLGB, MD6, MXD6, NMG, ND6, NXD6, SND6-B, NNG, PD6, PXD6, SPD6-B, NPG, RD6, RXD6	QR2, QRH2	100,000
None Used	HQJ2H HQR2H (200A max)	
HJD6(-A), HJXD6(-A), HJGA, HLD6(-A), HXLD6(-A), HLGA, HLGB, HMD6, HMXD6, HMG, HND6, HNXD6, SHND6-B, HNG, HPD6, HPXD6, SHPD6-B, HPG, HRD6, HRXD6 or Class J, R, T or L fuses	QR2 (200A max) QRH2 (200A max) HQR2 (200A max)	

Warning: This equipment has been designed for use only with circuit breakers listed above.
Use of other circuit breakers in this equipment could result in personal injury or property
damage and will void the warranty.

Important: Do not allow petroleum based (hydrocarbon) sprays, chemicals, solvents or
any paint to contact interior components. Petroleum based chemicals can cause
degradation of electrical insulating materials.

Connect Modules Using: **Cat. No.** **Torque**
Quick Connect™ QC4 400-440 lb-in (35-36 ft.-lb.)

Module Description	Siemens Series#
Main Breakers	WB(M), WEB(M), WXB(M), BFT(M)
Switches	WMP, WS, WES, WXS
Tap/Terminal Boxes	WTB, WET, WT_PU, WTBN, WBT(M)
Pull Boxes	WMMB
Meter Module	(W)MM, (W)MT, (W)ML, (W)MK, (W)MLZ(F), (W)MN
Meter Combinations	WC, WCL, WCT,
Extension Box	WSP, WSPD
Bussed Elbow	BE, WELB

**IMPORTANT -
for use with:**

Siemens Industry, Inc. Norcross, Georgia U.S.A. **DH1** 40900818 0101 Rev.00

© The National Electrical Code is a registered trademark of the National Fire Protection Association.
© 2017 Copyright Siemens Industry, Inc.

Siemens Industry, Inc. Norcross, Georgia U.S.A. **DH1** 40900818 0201 Rev.01

© 2019 Copyright Siemens Industry, Inc.