

SIEMENS

Indoor Meter Module

Catalog Number
ML22AB225RJ

Enclosure
Type 1

Ratings: Main Bus Rating: 1200 Amps.
208Y/120 Volts AC, 3 Phase, 4 Wire
See adjacent label for Short Circuit Current
Rating.

Meter Socket Rating: 200 Amps. Continuous

Branch Rating: 225 Amps Max. See Breaker
Ratings.

Suitable For Use As Service

Equipment when used in combination with
Siemens Modular Terminal Box Series WMTB,
WTB, WET, or Murray Tap Box Series DTB_W
and no more than six main disconnecting
means are provided.

For installation by a qualified person, in
accordance with all local electrical codes
and/or the National Electrical Code ®.

Terminals: Use Copper or Aluminum Wire

at all panel terminals. Suitable for 60°/75°C Conductors.
See breaker markings for wire size and torque requirements.

Neutral Terminal: Wire Size #4-300 kcmil, Torque to 250 lb.-ins.
Ground Terminal: Wire Size #4-2/0 AWG, Torque to 50 lb.-ins.

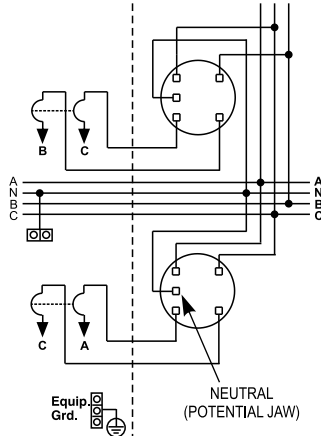
General Information:

See enclosed instruction sheet for information on mounting units.

Circuit breaker overload trip position is indicated by handle position midway between
ON and OFF. To reset, move handle to OFF position then turn ON.

Connect Modules Using: **Cat. No.** **Torque**
Quick Connect™ QC4 400-440 lb-in (35-36 ft.-lb.)

Module Description	Siemens Series#
Main Breakers	WB(M), WEB(M), WXB(M), BFT(M)
Switches	WMP, WS, WES, WXS
Tap/Terminal Boxes	WTB, WET, WT_PU, WTBN, WBT(M)
Pull Boxes	WMMB
Meter Module	(W)MM, (W)MT, (W)ML, (W)MK, (W)MLZ(F), (W)MN
Meter Combinations	WC, WCL, WCT,
Extension Box	WSP, WSPD
Bussed Elbow	BE, WELB



SIEMENS

Short Circuit Current Rating: (Wattour meter not included in short circuit current rating).
This panelboard has a maximum short circuit current rating of 100,000 Amps RMS
symmetrical, 120/240 V~ maximum. The actual rating is dependent on the branch breakers
installed in this panelboard and the main disconnect, if any, installed ahead of this panelboard.
The correct branch breakers and main/branch breaker series combinations to be used for
various short circuit current levels are listed in the tabulation below. Any circuit breaker
installed, replaced, or added in this panelboard must be manufactured by Siemens and must
be of the correct Type as indicated in the tabulation below.

MAIN DISCONNECT	BRANCH BREAKER	Then the maximum short circuit current rating in RMS symmetrical Amperes, 120/240 V~ maximum is
When the main protecting the system is a (Siemens Breaker Type)	And the branch breakers installed are Siemens type	
NONE USED or JXD2(-A), JD6(-A), JXD6(-A), HJD6(-A) HJXD6(-A), LD6(-A), LXD6(-A), HLD6(-A), HLXD6(-A), MD6, MXD6, HMD6, HMXD6, ND6, NXD6, SND6-B, HND6, HNXD6, SHND6-B, NJJA, NJGA, HJGA, NLGA, HLGA, NLGB, HLG, NMG, HMG, NNG, HNG, NPG, HPG, PD6, PXD6, SPD6-B, HPD6, HPXD6, SHPD6-B, RD6, RXD6, HRD6, HRXD6, or Class J, T, R, or L Fuses	QS, QP, MP-T	10,000
NONE USED	QSH, QPH, MP-HT	
MD6, MXD6, HMD6, HMXD6, ND6, NXD6, SND6-B, HND6, HNXD6, SHND6-B, NJJA, NJGA, HJGA, NLGA, HLGA, NLGB, HLG, NMG, HMG, NNG, HNG, NPG, HPG, PD6, PXD6, SPD6-B, HPD6, HPXD6, SHPD6-B, RD6, RXD6, HRD6, HRXD6, or Class J, T, R, or L Fuses	MP-HT	22,000
NONE USED	QSHH	42,000
NONE USED	HQS, HQP, MP-MT	
JXD2(-A), JD6(-A), JXD6(-A), HJD6(-A), HJXD6(-A), LD6(-A), LXD6(-A), HLD6(-A), HLXD6(-A)	MP-HT	
JXD2(-A), JD6(-A), JXD6(-A), LD6(-A), LXD6(-A), MD6, MXD6, ND6, NXD6, SND6-B, NJJA, NJGA, NLGA, NLGB, NMG, NNG, NPG, PD6, PXD6, SPD6-B, RD6, RXD6	QS, QSH, QSHH, HQS, OPH, HQP, MP-MT	65,000
HJD6(-A), HJXD6(-A), HLD6(-A), HLXD6(-A), HMD6, HMXD6, HND6, HNXD6, SHND6-B, HJGA, HLGA, HLGB, HMG, HNG, HPG, HPD6, HPXD6, SHPD6-B, HRD6, HRXD6, or Class J, T, R, or L Fuses	QPH, HQP, MP-MT	
NONE USED	HQPH, HQSH	
HJD6(-A), HJXD6(-A), HLD6(-A), HLXD6(-A), HMD6, HMXD6, HND6, HNXD6, SHND6-B, HJGA, HLGA, HLGB, HMG, HNG, HPG, HPD6, HPXD6, SHPD6-B, HRD6, HRXD6, or Class J, T, R, or L Fuses	HQPH, QS, QSH, QSHH, HQS, HQSH	100,000

Warning: This equipment has been designed for use only with circuit breakers listed above.
Use of other circuit breakers in this equipment could result in personal injury or property
damage and will void the warranty.

Important: Do not allow petroleum based (hydrocarbon) sprays, chemicals, solvents or
any paint to contact interior components. Petroleum based chemicals can cause
degradation of electrical insulating materials.