

BFT Main Feed Thru Modules Features



- 1 Removable blank top end wall
- 2 Main breaker with broad ampacity ratings from 1200A - 2000A
- 3 Standard compression lug capability
- 4 Outgoing vertical bus is limited by breaker ratings: 1200 - 2000A
- 5 1200A horizontal thru-bus
- 6 Removable blank end wall

Published by
Siemens 2017

Siemens Industry, Inc.
5400 Triangle Parkway
Norcross, GA 30092

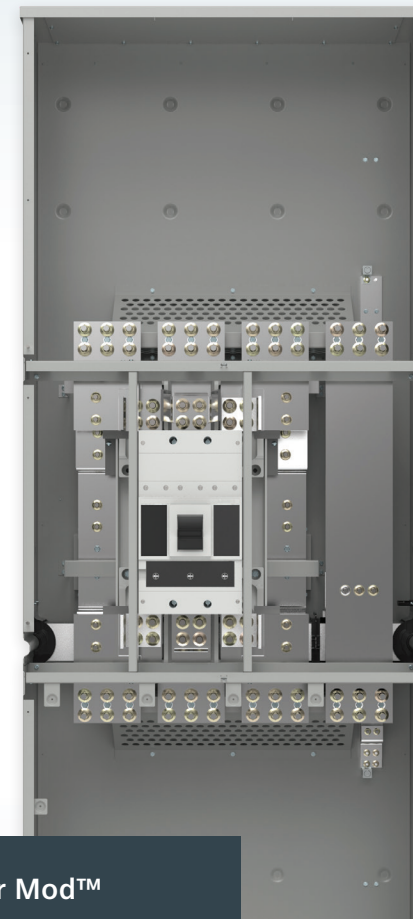
1-800-241-4453
info.us@siemens.com

Order No. RPBR-PMBFT-0717

Printed in USA
All Rights Reserved
© 2017, Siemens Industry, Inc.

The technical data presented in this document is based on an actual case or on as-designed parameters, and therefore should not be relied upon for any specific application and does not constitute a performance guarantee for any projects. Actual results are dependent on variable conditions. Accordingly, Siemens does not make representations, warranties, or assurances as to the accuracy, currency or completeness of the content contained herein. If requested, we will provide specific technical data or specifications with respect to any customer's particular applications. Our company is constantly involved in engineering and development. For that reason, we reserve the right to modify, at any time, the technology and product specifications contained herein.

SIEMENS
Ingenuity for life



Power Mod™

BFT Main Feed Thru Modules

usa.siemens.com/powermod

Power Mod™ BFT - Main Feed Thru Modules

The BFT is a main breaker module for the Power Mod group metering line up that has the ability to isolate power to side-mounted modules just like any other Power Mod main breaker module, but also contains feed-through lugs that can be used to supply and isolate power vertically to downstream group metering line ups.

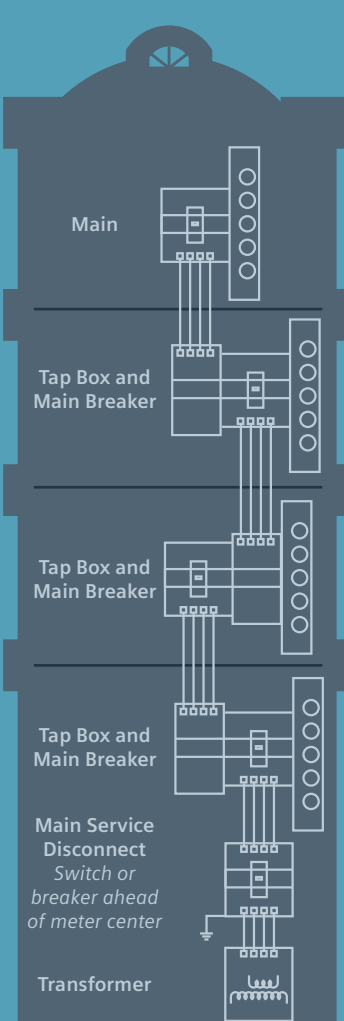
Features include:

- QuickSystem™ features
- Incoming & Outgoing Power Mod thru bus
- Standard compression lug capability
- 65K AIC standard, 100K AIC available for all models
- Main breaker with broad ampacity ratings up to 1200A with non-standard amperages available (such as 700, 900, etc...)
- Field installable shunt trip

Quick Reference

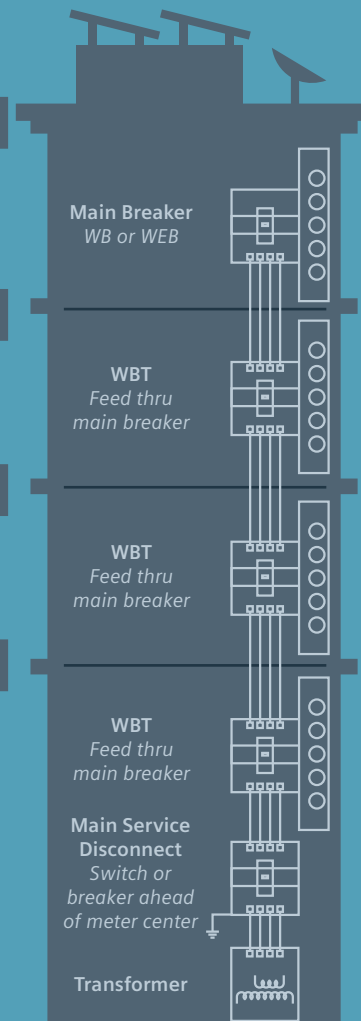
- 1200 - 2000A main bus rating
- 1200A Horizontal bus rating
- UL Standard #67
- UL file #E27100
- AIC rating (65K & 100K)
- Voltage: 240V AC max
- Available in single and three phase
- NEMA 1 (Indoor)
- G90 Galvanized Steel
- ANSI 61 Paint
- Bottom feed only
- All units come with no hubs
- EUSERC drawing number 347 (EUSERC applies to 1200A unit only)

Competitor



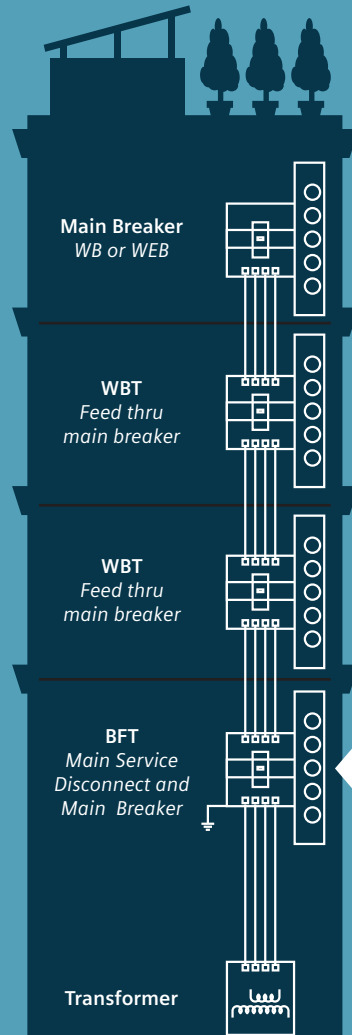
Mid-rise or high-rise multi-family building as configured by Siemens competitor.

WBT



Mid-rise or high-rise multi-family building as configured by Siemens prior to BFT, using the WBT to consolidate enclosures and save material cost and wall space.

BFT & WBT



Combined WBT and BFT solution for a mid-rise or high-rise multi-family building.

With the invention of the Power Mod BFT, Siemens can integrate the main service disconnect into the meter center lineup.

Imagine a four-story building designed with a group metering line up on each floor. If the total load is between 1,200 and 2,000 amps, one BFT module can be placed on the first floor as the main for the first floor's meters and the service entrance main for the entire building. Using feed-through tapboxes on the second and third floors and a standard breaker main on the fourth floor.



Space savings



Cost savings on total installation



We listened: Meets engineers' demand

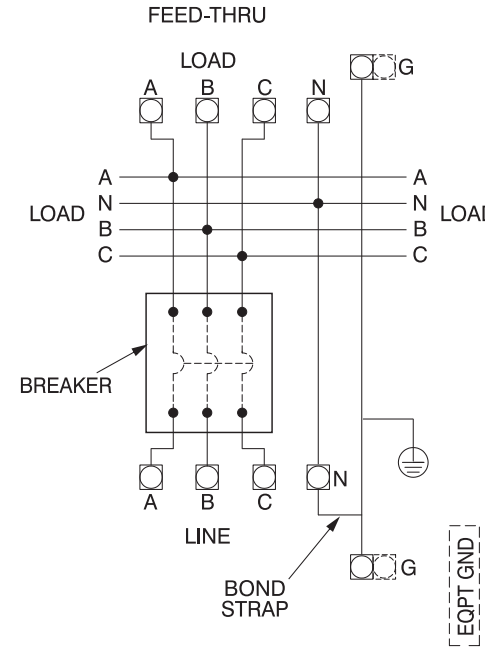


One breaker protects entire building

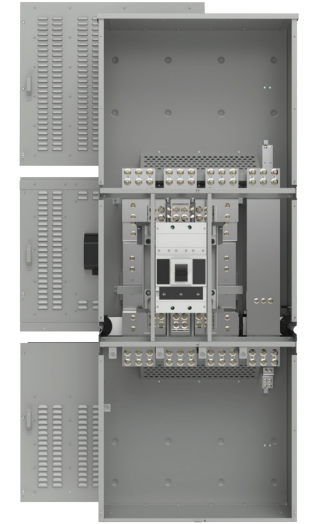


One service disconnect

Schematic for BFT31200B



- Connects via lugs and service entrance rated.
- Lug kits not included. (2) Lug kits must be ordered separately per module.



1-Phase, 3 Wire SN, 240V AC Max.

Catalog Number (65K AIC)	Catalog Number (100K AIC)	Breaker Amperage Rating	Breaker Type (65K AIC)	Breaker Type (100K AIC)	Dimensions (inches)		
					Height	Width	Depth
BFT11200B	BFT11200BU	1200	PXD6	HPXD6	89.78	35.53	15.05
BFT11400B	BFT11400BU	1400	PXD6	HPXD6	89.78	35.53	15.05
BFT11600B	BFT11600BU	1600	PXD6	HPXD6	89.78	35.53	15.05
BFT11800B	BFT11800BU	1800	RXD6	HRXD6	89.78	35.53	15.05
BFT12000B	BFT12000BU	2000	RXD6	HRXD6	89.78	35.53	15.05

3-Phase, 4 Wire SN, 240V AC Max.

Catalog Number (65K AIC)	Catalog Number (100K AIC)	Breaker Amperage Rating	Breaker Type (65K AIC)	Breaker Type (100K AIC)	Dimensions (inches)		
					Height	Width	Depth
BFT31200B	BFT31200BU	1200	PXD6	HPXD6	89.78	35.53	15.05
BFT31400B	BFT31400BU	1400	PXD6	HPXD6	89.78	35.53	15.05
BFT31600B	BFT31600BU	1600	PXD6	HPXD6	89.78	35.53	15.05
BFT31800B	BFT31800BU	1800	RXD6	HRXD6	89.78	35.53	15.05
BFT32000B	BFT32000BU	2000	RXD6	HRXD6	89.78	35.53	15.05