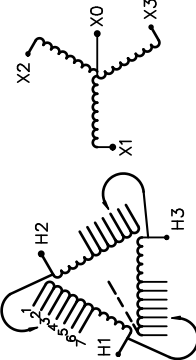

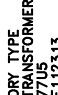

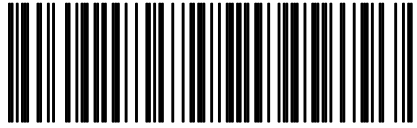


REVISION	DATE	BY	DATE	BY
			15/12/01	PP
1	17/01/31	RM		

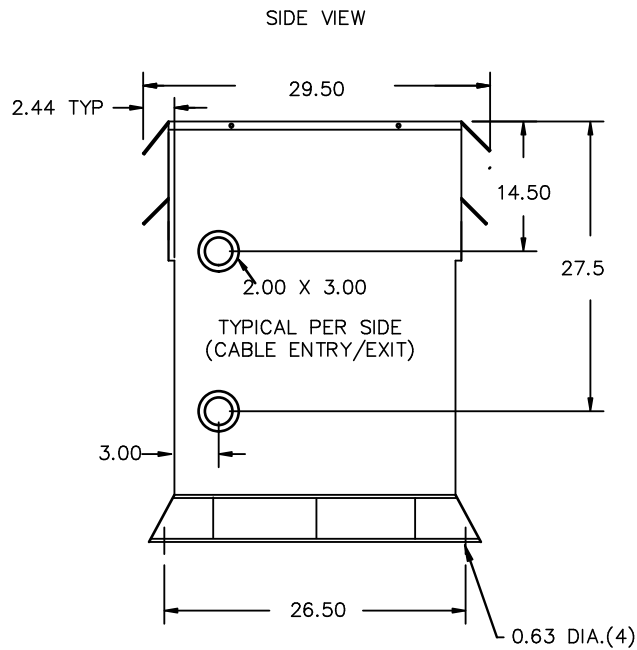
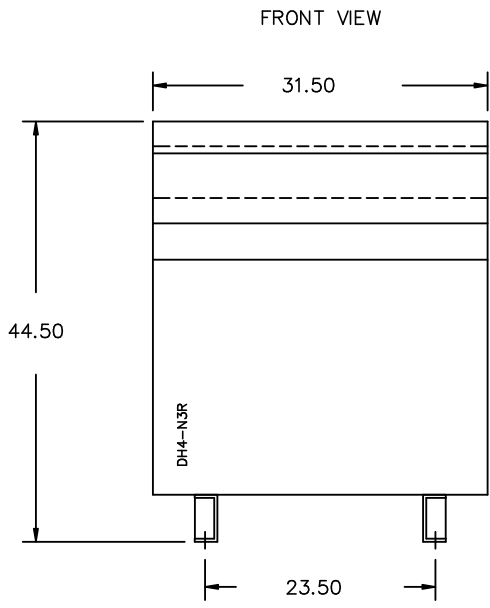
Confidential - Property of <b>Siemens Industry, Inc.</b>		
CUSTOMER		
ORDER NO.	DWG. NO.	1
	3F5Y150CD16	SH 1 OF 3

# SIEMENS

<p>CATALOG NO. 3F5Y150CD16</p> <p>SERIAL NO.</p> <p>150 kVA    60 Hz    3 PHASE</p> <p>3 % IMP AT 170 °C</p> <p>150 °C RISE    30 °C AVG. AMBIENT</p> <p>220 °C TEMP CLASS    40 °C MAX. AMBIENT</p> <p>PRIMARY ( H1 H2 H3 )    480 V 10 kV BIL</p> <p>SECONDARY( X0 X1 X2 X3 )    480Y/277 V 10 kV BIL</p> <p>WINDING MATERIAL    CU</p> <p>ENCLOSURE TYPE 3R    WEIGHT 1100 LBS</p> <p>ENERGY EFFICIENCY EXCEEDS CSA    DOE 10 CFR PART 431:2016 C802.2-2012</p> <p>SPACINGS BETWEEN ANY VENTILATED ENCLOSURE PANEL AND ANY ADJACENT WALL SHALL BE A MINIMUM OF 5 INCHES EXCEPT WHEN WALL MOUNTED USING APPROVED WALL MOUNTING KIT</p> <p>SUITABLE FOR INDOOR OR OUTDOOR LOCATIONS BEFORE HANDLING, INSTALLING AND OPERATING; SEE INSTRUCTION MANUAL</p> <p>NEMA Class <b>ANN</b> Dry Type Transformer    Siemens Industry, Inc. Norcross, GA <small>dsu0086e</small></p>	<p style="text-align: center;">  </p> <p style="text-align: center;">VOLTS CONNECT</p> <p style="text-align: center;">         1 2 3 4 5 6 7       </p>	<p style="text-align: center;">TYPE K</p> <p style="text-align: center;">    </p> <p style="text-align: center;"> <b>LISTED</b>  <small>E112313</small> </p> <p style="text-align: center;"> <small>SEISMIC QUALIFICATIONS, FLOOR MOUNT ONLY          OSP-0136-10 IBC 2012/ASCE 7-10          SDS&lt;=2.0g z/h=1 p=1.5</small> </p>
---	--	--



3F5Y150CD16



All Dimensions in inches

ENCLOSURE COLOR :ANSI 61 GREY – OUTDOOR

HV TERMINAL DETAIL

LV TERMINAL DETAIL

MECHANICAL TYPE LUGS INCLUDED  
SUITABLE FOR 350MCM-6 CU/AL  
CONDUCTORS  
1 CONDUCTOR PER PHASE

MECHANICAL TYPE LUGS INCLUDED  
SUITABLE FOR 350MCM-6 CU/AL  
CONDUCTORS  
1 CONDUCTOR PER PHASE

CUSTOMER NOTES:

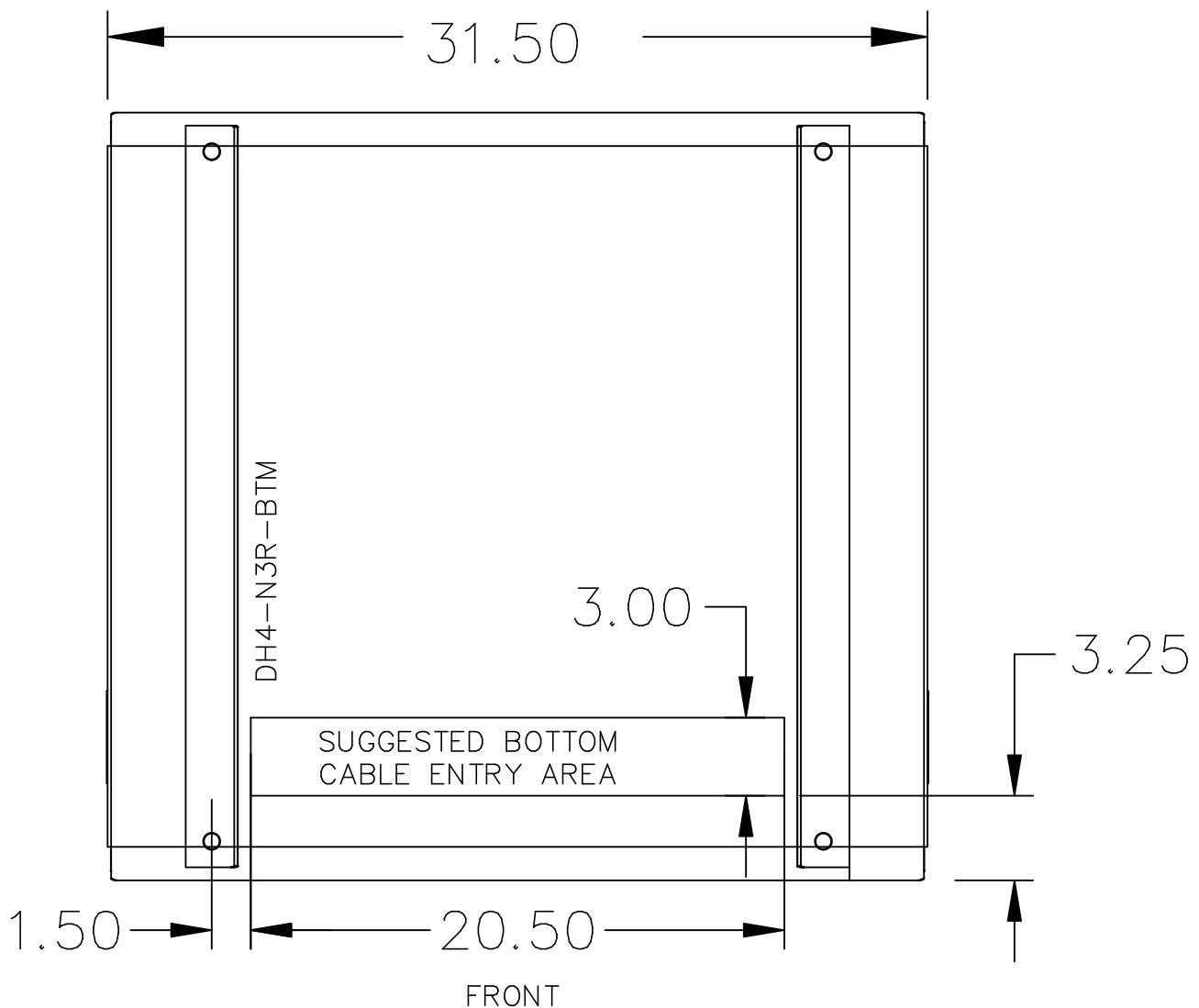
- HV TERMINATED AT TOP FRONT
- LV TERMINATED AT BOTTOM FRONT

Confidential – Property of  
**Siemens Industry, Inc.**

REVISION	DATE	BY	DATE	BY
			15/12/01	PP
				CHEK'D
1	17/01/31	RM		VERIF'D

CUSTOMER		
ORDER NO.	DWG. NO.	1
	3F5Y150CD16	SH 2 OF 3

1.0 rmova 2017/01/31 12:20



NOTE:  
 WHEN BOTTOM CABLE ENTRY IS OPTED, THE SPACE USED FOR CONDUITS IN THE FRONT OF THE TRANSFORMER SHOULD NOT OBSTRUCT MORE THAN 50% OF THE FRONT AIR INTAKE AREA DEFINED BETWEEN THE BOTTOM PLATE AND THE SUPPORTING LEGS. SEE MANUAL FOR ADDITIONAL INFORMATION

Confidential - Property of  
 Siemens Industry, Inc.

REVISION	DATE	BY		DATE	BY
			DRAWN	15/12/01	PP
			CHEK'D		
1	CHANGED IMP & WEIGHT:	17/01/31	RM	VERIF'D	

CUSTOMER		
ORDER NO.	DWG. NO.	1
	3F5Y150CD16	SH 3 OF 3

1.0 rmova 2017/01/31 12:20