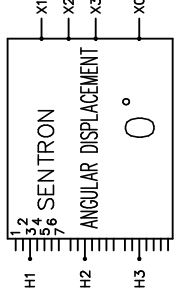


- IMPEDANCE SHOWN IS CALCULATED VALUE

# SIEMENS

CATALOG NO. 3F3Y225HD100  
 SERIAL NO. SERIES H  
 225 kVA 60 Hz 3 PHASE  
 5.6 % IMP AT 135 °C  
 115 °C RISE 30 °C AVG. AMBIENT  
 220 °C TEMP CLASS 40 °C MAX. AMBIENT  
 PRIMARY ( H1 H2 H3 ) 480 V 10 kV BIL  
 SECONDARY ( X1 X2 X3 ) 208Y/120 V 10 kV BIL  
 NEUTRAL ( X0(200%) ) 625A V  
 WINDING MATERIAL AL  
 ENCLOSURE TYPE 3R WEIGHT 1900 LBS  
 ENERGY EFFICIENCY EXCEEDS NEMA TPI-2002 DOE 10 CFR PART 431:2016  
 SPACINGS BETWEEN ANY VENTILATED ENCLOSURE PANEL AND ANY ADJACENT WALL SHALL BE A MINIMUM OF 5 INCHES EXCEPT WHEN WALL MOUNTED USING APPROVED WALL MOUNTING KIT ELECTROSTATIC SHIELD  
 SUITABLE FOR INDOOR OR OUTDOOR LOCATIONS BEFORE HANDLING, INSTALLING AND OPERATING; SEE INSTRUCTION MANUAL  
 NEMA Class AA Dry Type Harmonic Mitigating Transformer Siemens Industry, Inc. Norcross, GA 6840703e



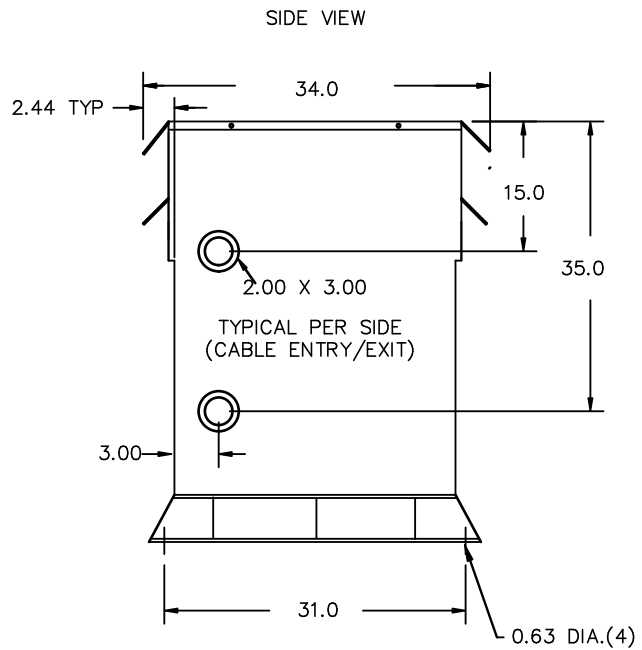
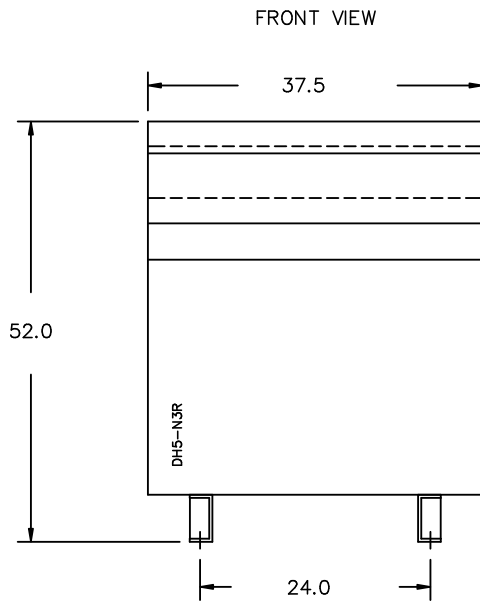
VOLTS	CONNECT
506	1
492	2
480	3
465	4
456	5
444	6
430	7

TYPE K  
 DRY TYPE TRANSFORMER  
 7705 E112313  
 LISTED  
 SEISMIC QUALIFICATIONS, FLOOR MOUNT ONLY  
 OSP-0136-10 IBC 2012/ASCE 7-10  
 SDS<=2.0g z/h=1 p=1.5



REVISION	DATE	BY	DATE	BY
		DRAWN	17/02/10	LC
		CHEK'D		
		VERIF'D		

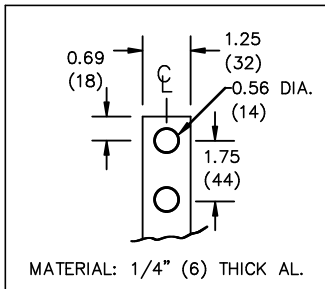
Confidential - Property of  
 Siemens Industry, Inc.  
 CUSTOMER  
 ORDER NO. DWG. NO.  
 3F3Y225HD100 SH 1 OF 3



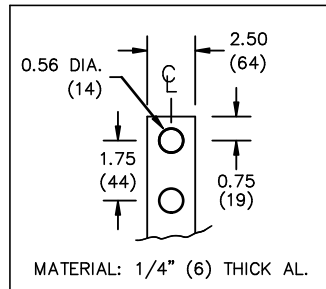
All Dimensions in inches

ENCLOSURE COLOR :ANSI 61 GREY – OUTDOOR

H.V.1. TERMINAL DETAIL



L.V.1. TERMINAL DETAIL



CUSTOMER NOTES:

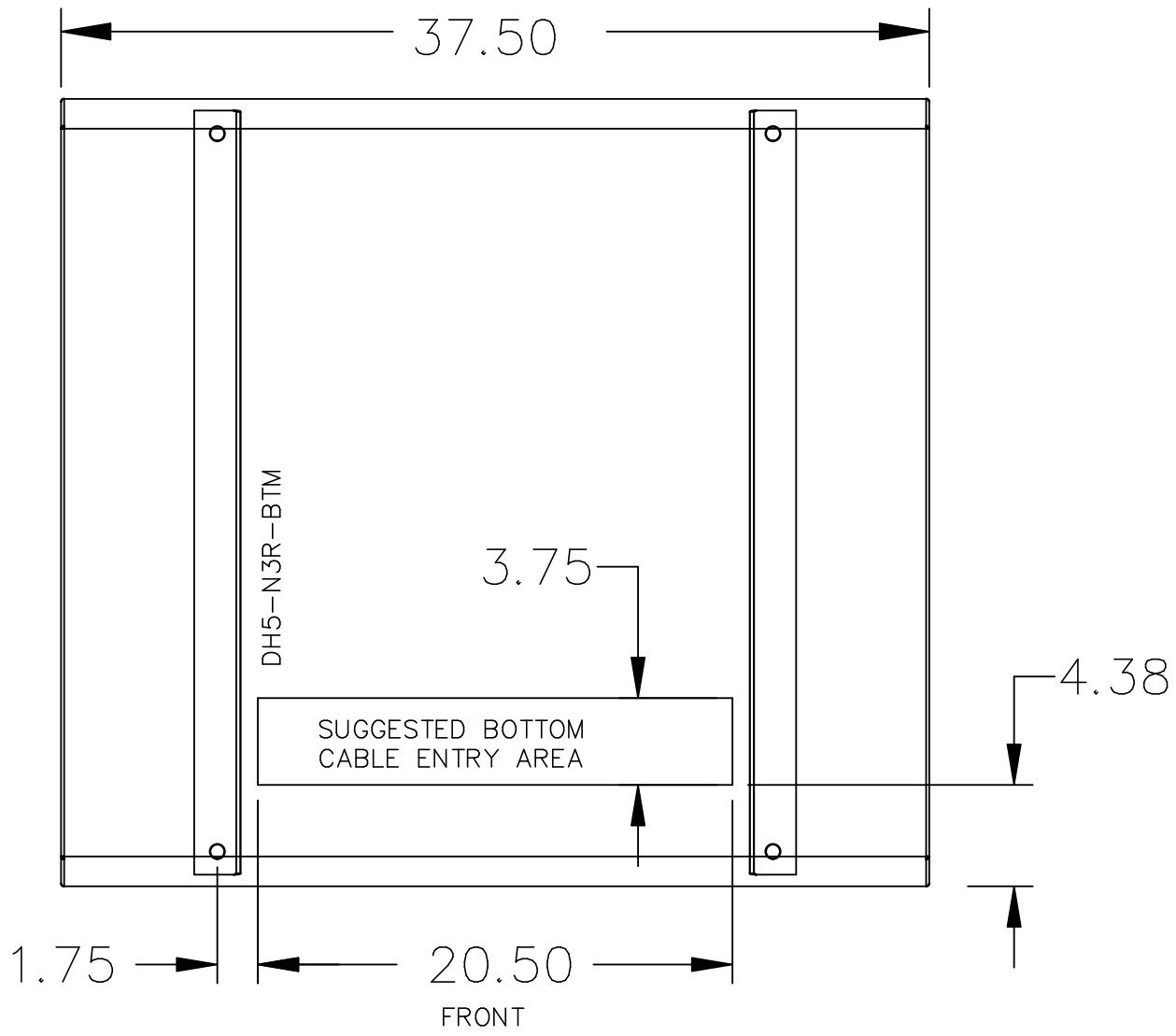
- HV1 TERMINATED AT BOTTOM FRONT
- LV1 TERMINATED AT TOP FRONT
- 200% RATED NEUTRAL, TERMINATED AT TOP FRONT,

Confidential – Property of  
Siemens Industry, Inc.

REVISION	DATE	BY	DATE	BY
		DRAWN	17/02/10	LC
		CHEK'D		
		VERIF'D		

CUSTOMER	
ORDER NO.	DWG. NO. 3F3Y225HD100
SH 2 OF 3	

0.0 Icen 2017/02/10 09:29



NOTE:  
 WHEN BOTTOM CABLE ENTRY IS OPTED, THE SPACE USED FOR CONDUITS IN THE FRONT OF THE TRANSFORMER SHOULD NOT OBSTRUCT MORE THAN 50% OF THE FRONT AIR INTAKE AREA DEFINED BETWEEN THE BOTTOM PLATE AND THE SUPPORTING LEGS.  
 SEE MANUAL FOR ADDITIONAL INFORMATION

Confidential - Property of  
 Siemens Industry, Inc.

REVISION	DATE	BY	DATE	BY
		DRAWN	17/02/10	LC
		CHEK'D		
		VERIF'D		

CUSTOMER	
ORDER NO.	DWG. NO. 3F3Y225HD100
SH 3 OF 3	

0.0 Icen 2017/02/10 09:29